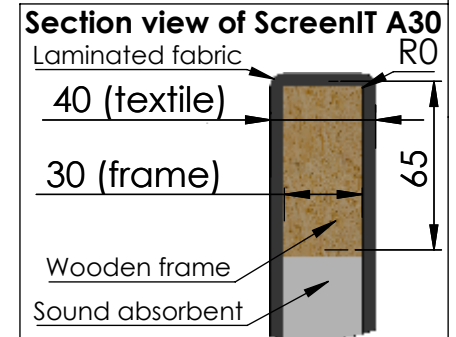
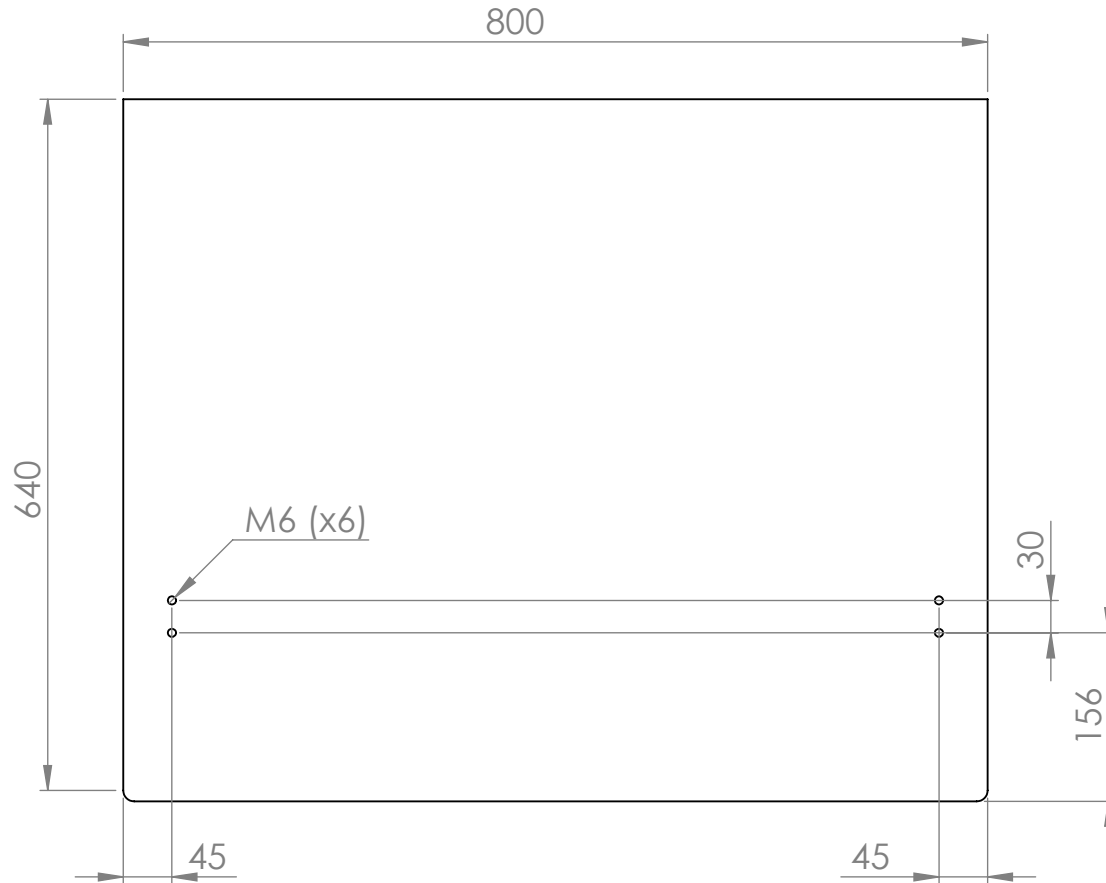


These measurements refer to the frame work and do not include upholstery, seam or zip

Tolerances (mm)			
Dimension			Deviation
(1)	-	20	±0,2
(20)	-	50	±0,5
(50)	-	200	±1,0
(200)	-		±2,0



Art.nr. 543080		Name ScreenIT A30 800x650 Straight corners		
Last saved by Ida	Last saved 2024-01-04	Material x	Rev -	Format A4
Created by Jonathan	Created date 2016-10-04		Scale 1:7	Page 1/1