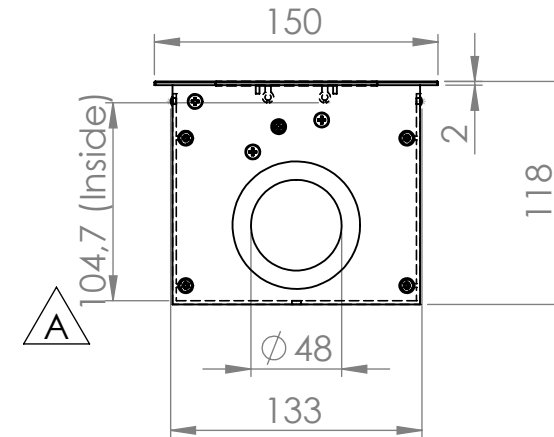
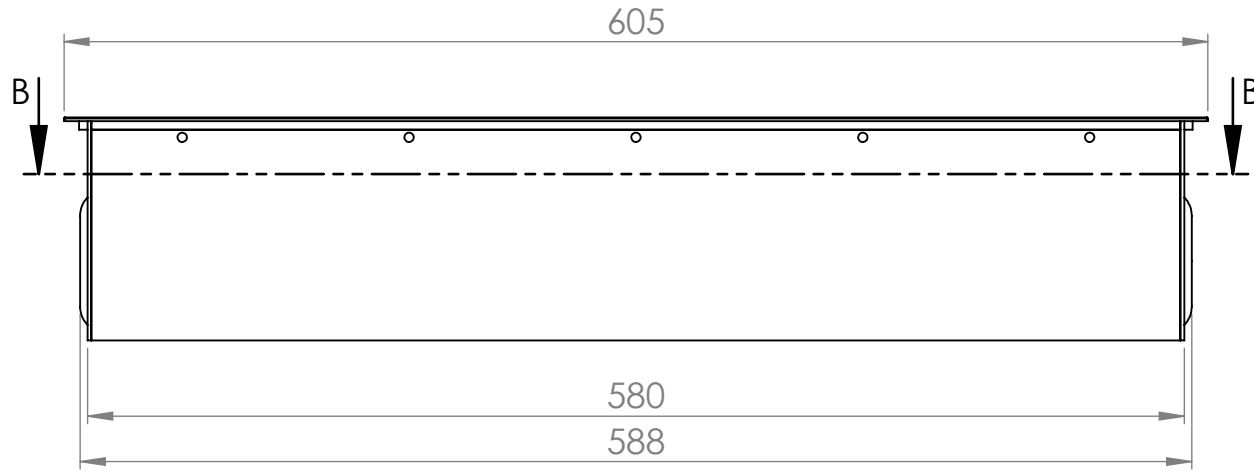
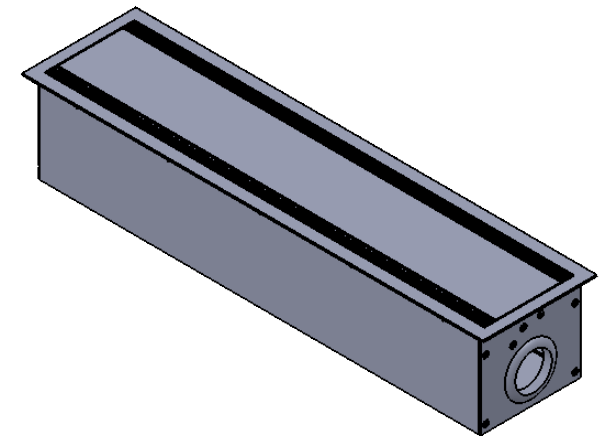
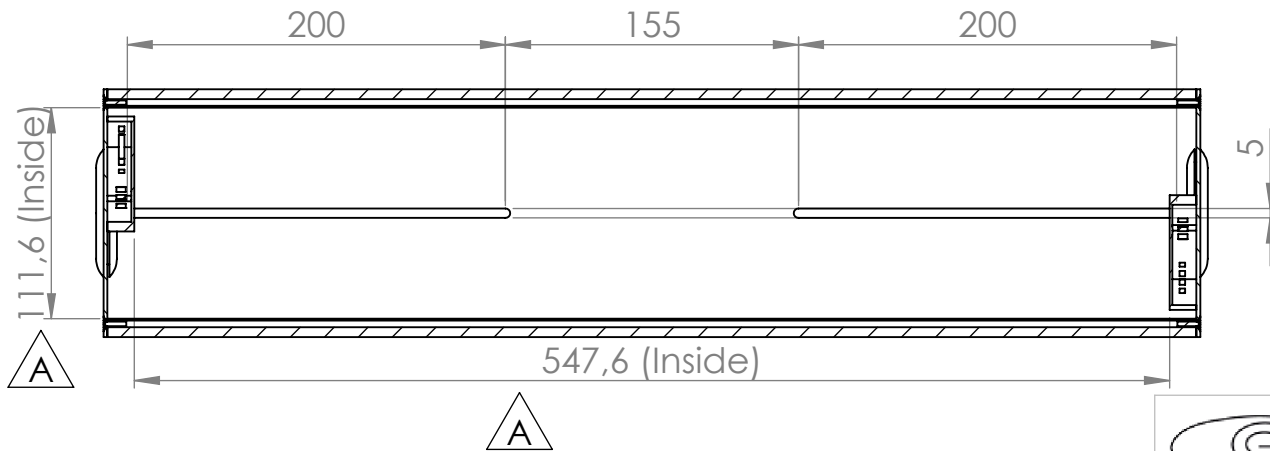


REVISIONS				
ZONE	REV.	DESCRIPTION	DATE	APPROVED
A5, B6, C3	A	Added inside measurements	2017-02-16	



SECTION B-B  
SCALE 1 : 4



**Table cut out 592x135mm**



**GÖTESSONS**

Material	Art.nr.	Blad	A4
	721001	1/1	
Skala	Sign. Jonte	Benämning	Rev
1:4	Datum 2016-03-08	Bi-Box 605 x 150 mm	