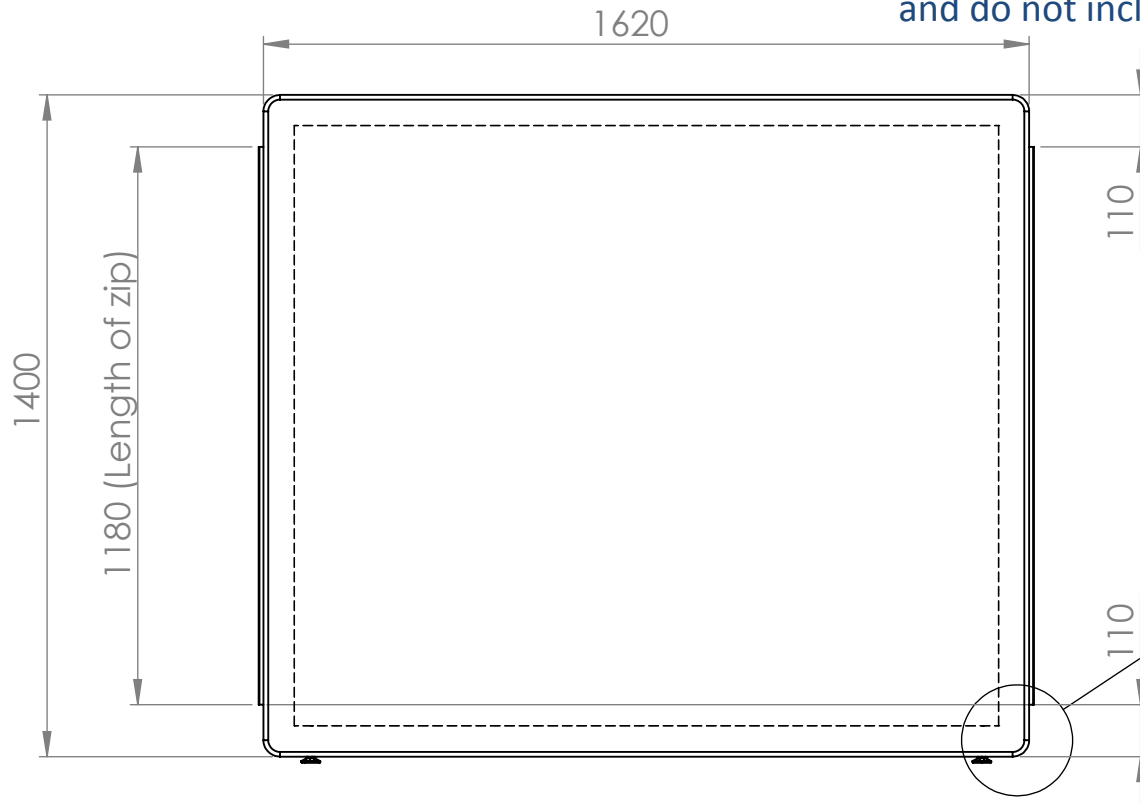
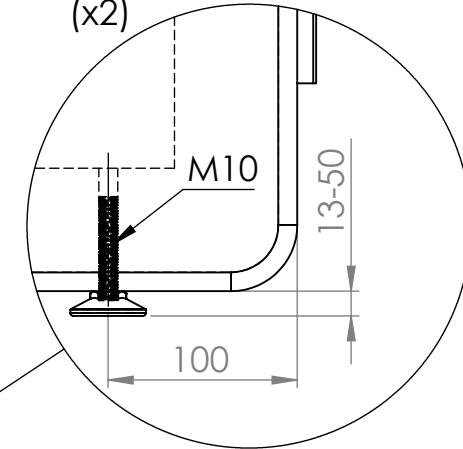


These measurements refer to the frame work and do not include upholstery, seam or zip

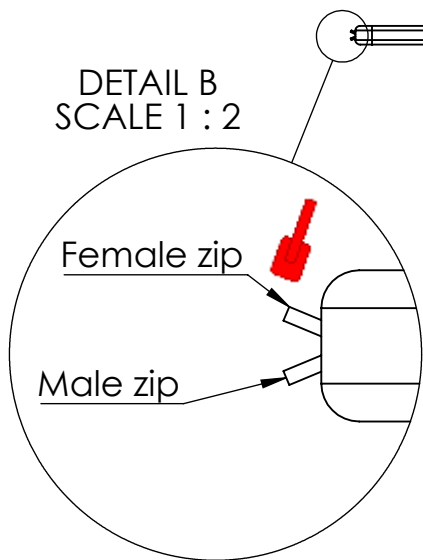
Tolerances (mm)			
Dimension			Deviation
(1)	-	20	±0,2
(20)	-	50	±0,5
(50)	-	200	±1,0
(200)	-		±2,0



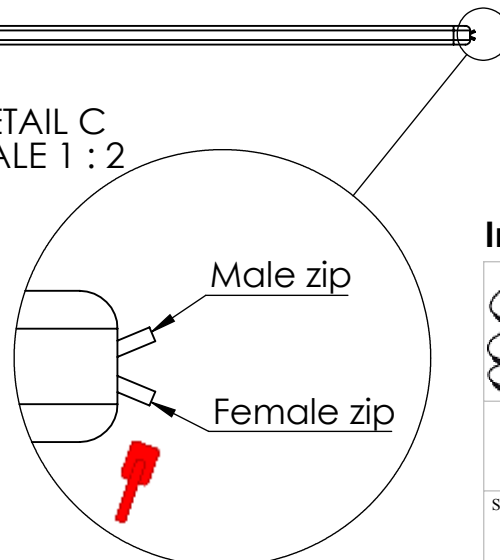
DETAIL A
SCALE 1 : 4
(x2)



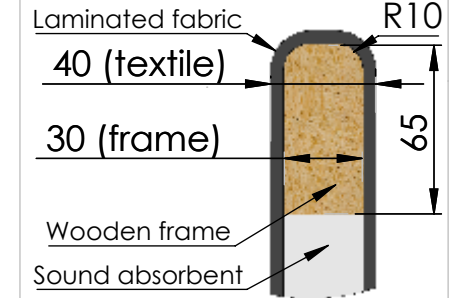
DETAIL B
SCALE 1 : 2



DETAIL C
SCALE 1 : 2



Section view of ScreenIT A30



Including adjustable feet



Material	x	Art.nr.	119160	Blad	1/1	A4
Skala	1:16	Sign.	Tolle	Benämning	ScreenIT A30 Peak front screen W:1600xH:1400 mm	
		Datum	2017-11-16			Rev
						-