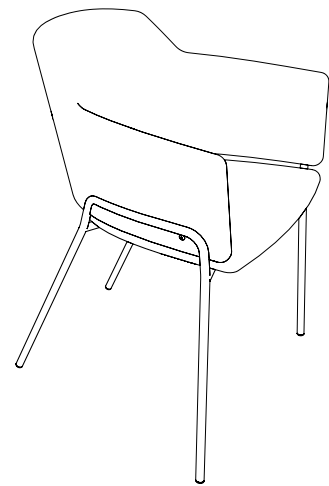
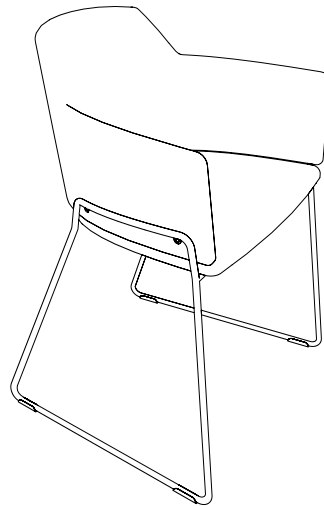
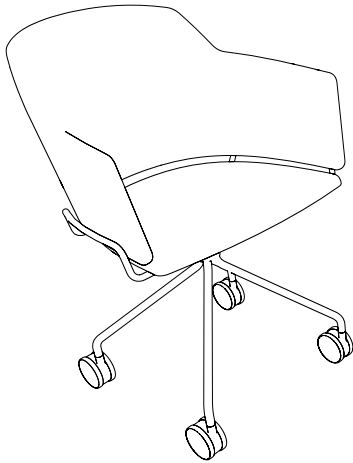
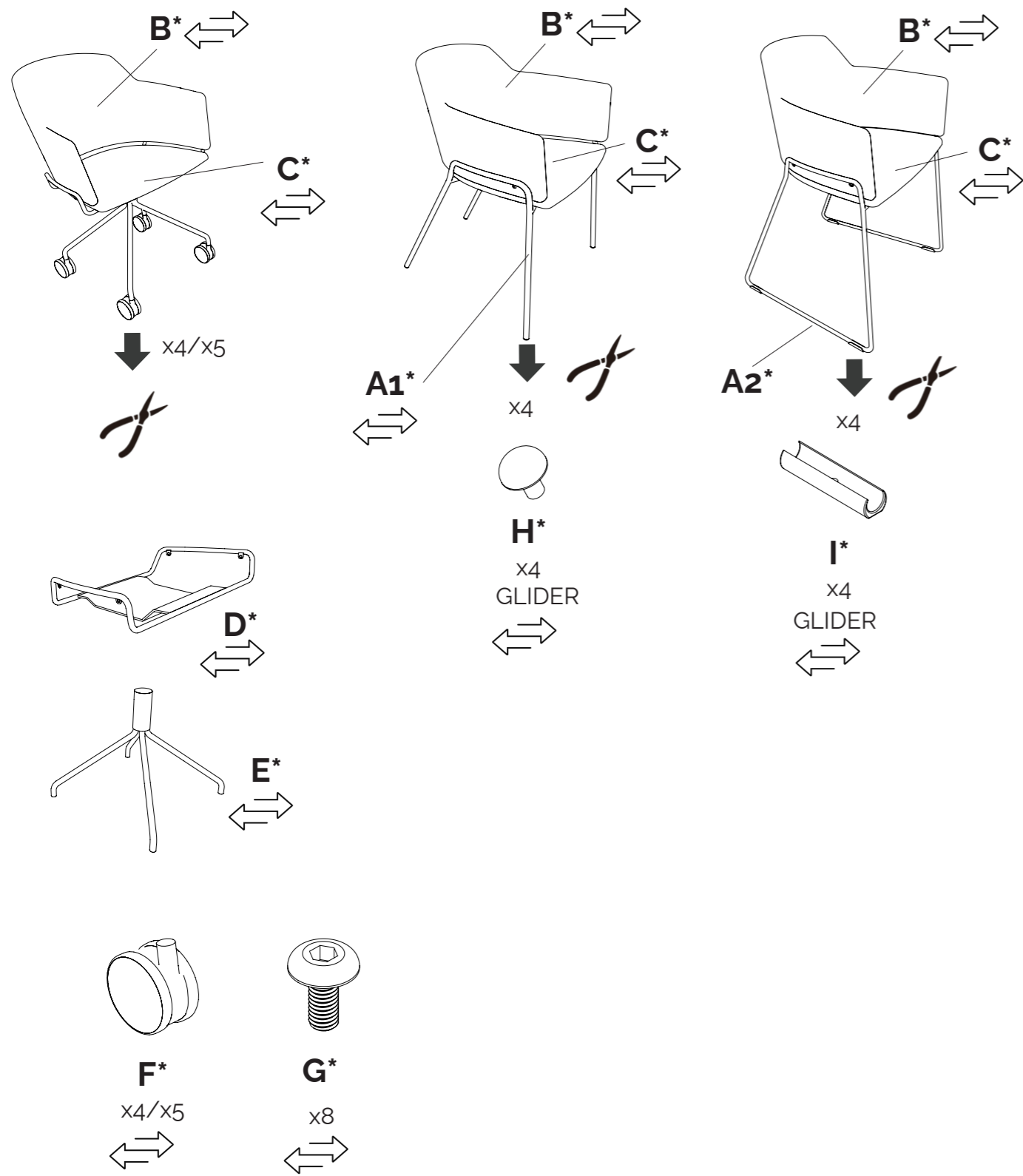


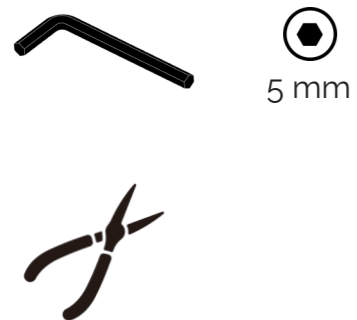
Skift
Skift Plus
Skift Plus 4
Skift Wheel
Skift 5 Wheel
Skift plus Wheel
Skift plus 5 Wheel



DISASSEMBLY INSTRUCTION



NECESSARY TOOLS



SYMBOLS

- Replaceable spare part
Contact David Design
- Looks/Size may vary
- Use hands

CARE INSTRUCTIONS



Maximize life – minimize waste. Follow this guide for correct repair and end-of-life disassembly. Proper handling ensures your warranty remains valid and enables 100% material recycling. Contact Götessons for spare parts or circularity inquiries.

DISASSEMBLY INSTRUCTION

