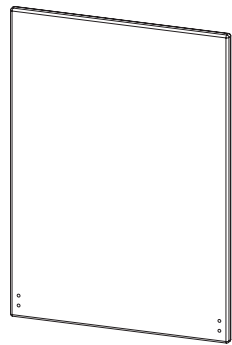
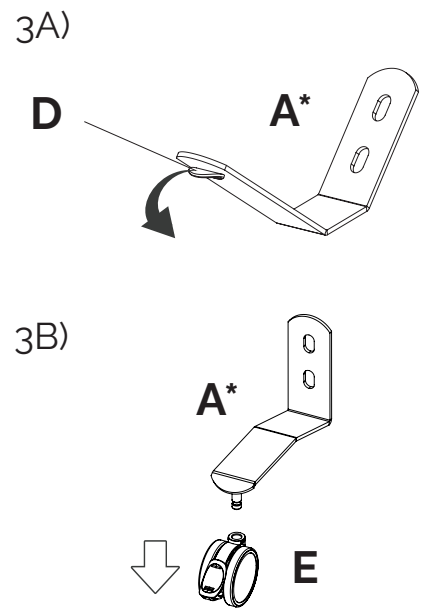
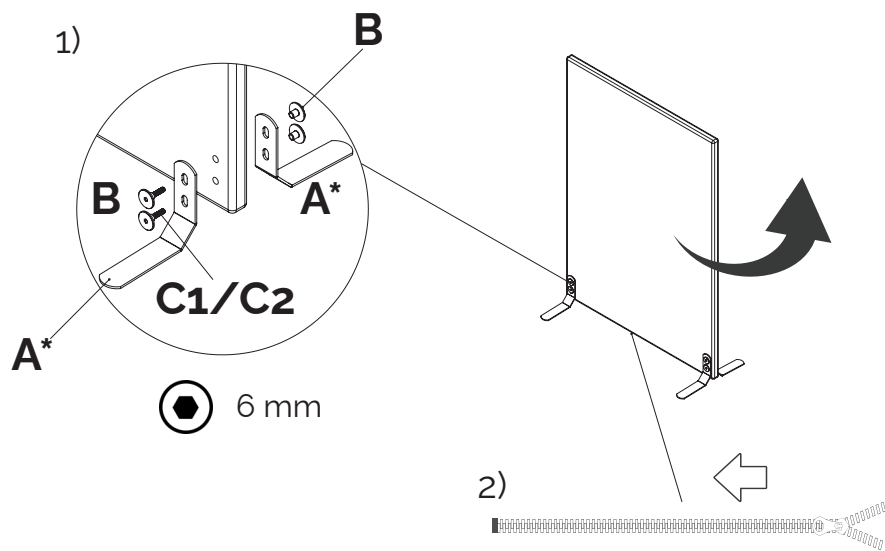


Floor screens

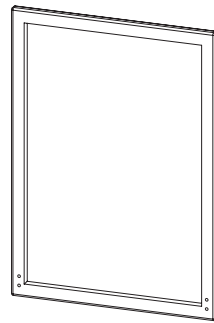
DISASSEMBLY INSTRUCTION



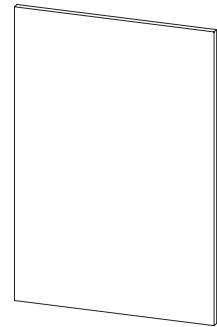
DISASSEMBLY INSTRUCTION



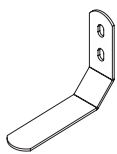
TEXTILE COVER



WOOD FRAME



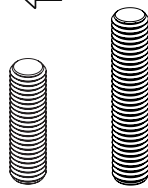
PES-FIBER BOARD



A*
Floor foot (x4)



B
Nut



C1/C2
Stud bolt



D
Furniture pad



E
Lockable wheel



NECESSARY TOOLS



SYMBOLS



Replaceable spare part
Contact Götessons

*

Looks may vary

CARE INSTRUCTIONS



Maximize life - minimize waste. Follow this guide for correct repair and end-of-life disassembly. Proper handling ensures your warranty remains valid and enables 100% material recycling. Contact Götessons for spare parts or circularity inquiries.