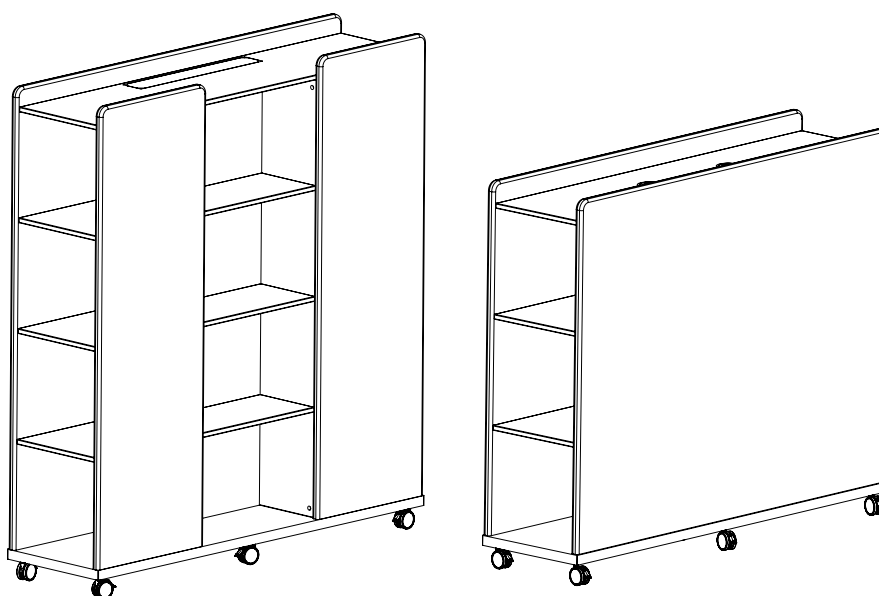
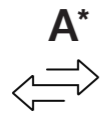
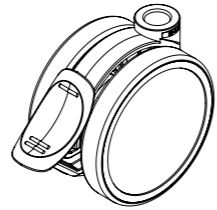
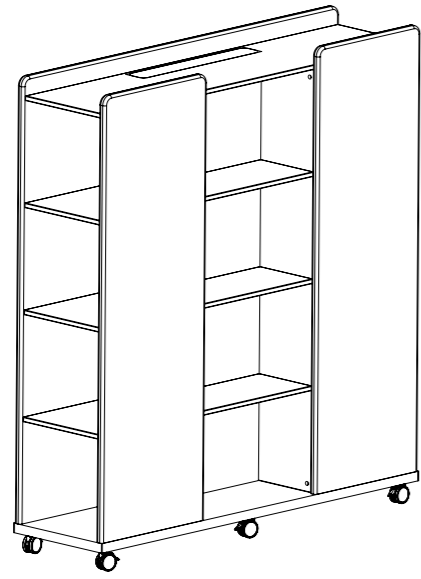


Moving Wall Tower Moving Wall Bridge



DISASSEMBLY INSTRUCTION



NECESSARY TOOLS

SYMBOLS

- Replaceable spare part
Contact Götessons
- *** Looks/size may vary
- Two person job
- Heavy objects

CARE INSTRUCTIONS

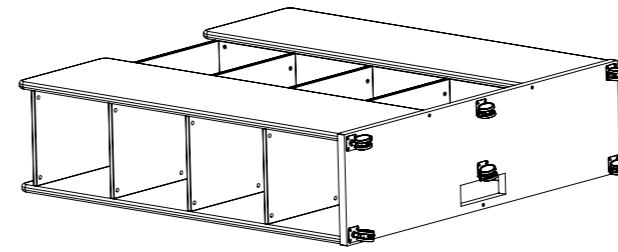


Maximize life – minimize waste. Follow this guide for correct repair and end-of-life disassembly. Proper handling ensures your warranty remains valid and enables 100% material recycling. Contact Götessons for spare parts or circularity inquiries.

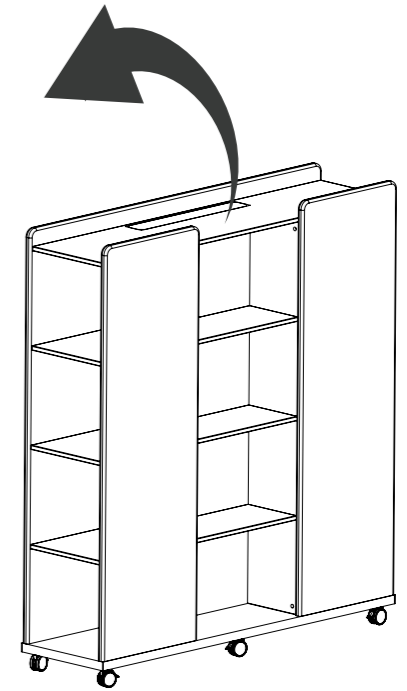
DISASSEMBLY INSTRUCTION



1)

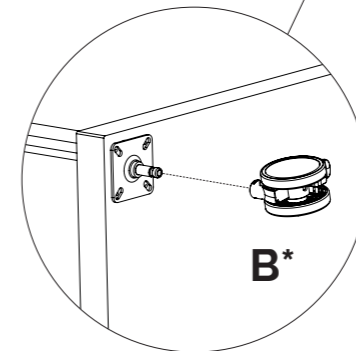
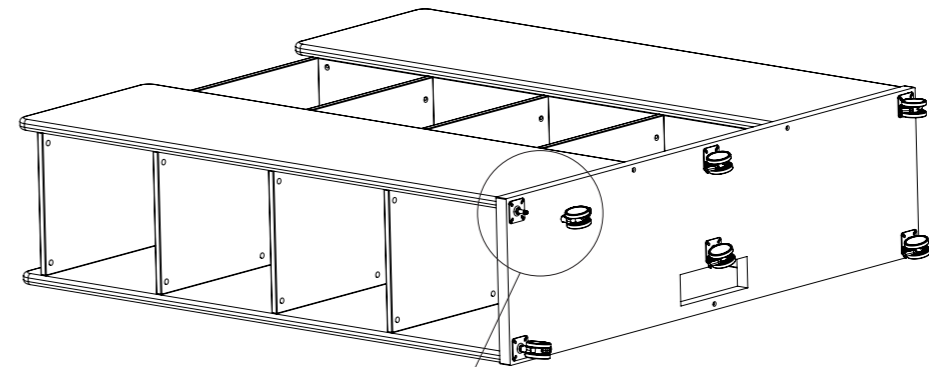


A*



A*

2)



B*

