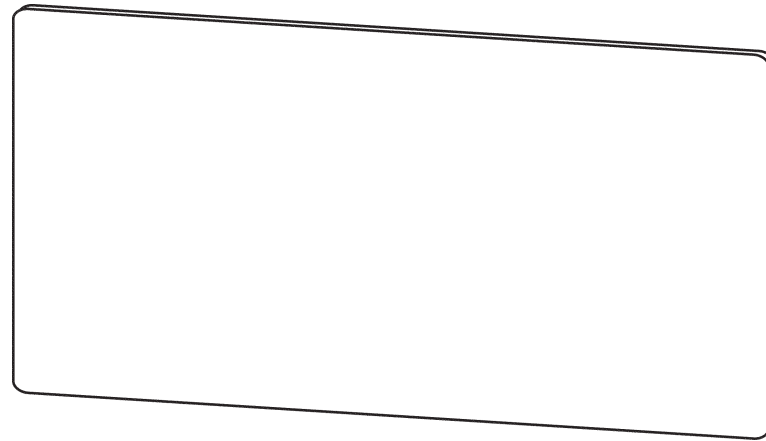


ScreenIT A30 Desk screen

DRAWINGS

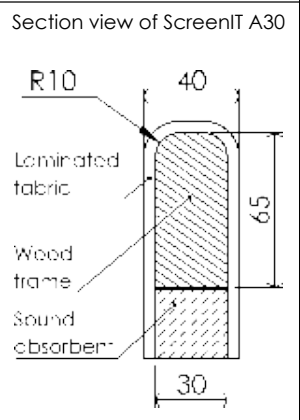
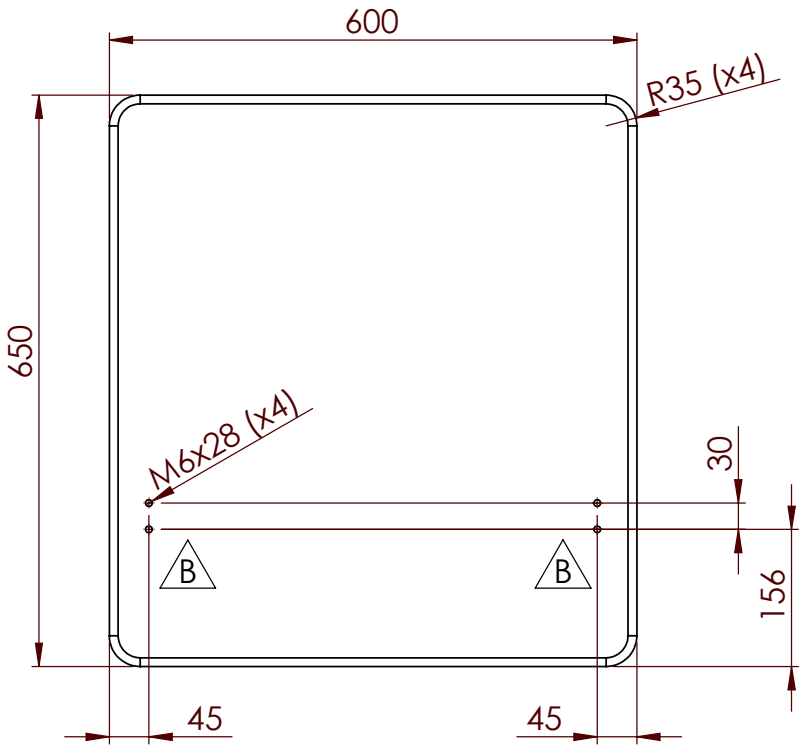


GÖTESSONS INDUSTRI AB

Rönnåsgatan 5B,
523 38 Ulricehamn
Box 56, 523 22 Ulricehamn
Tel +46 (0)321-687700
info@gotessons.se

G Ö T E S S O N S

REVISIONS			
REV.	DESCRIPTION	DATE	BY
A	Drawing was made	2024-02-20	Tolle
B	3rd holes was removed	2024-02-20	Tolle

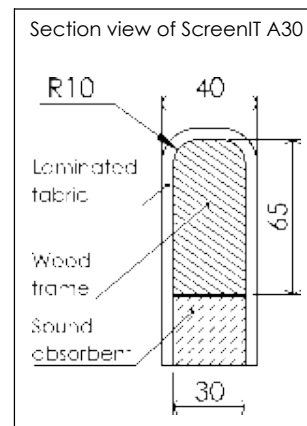
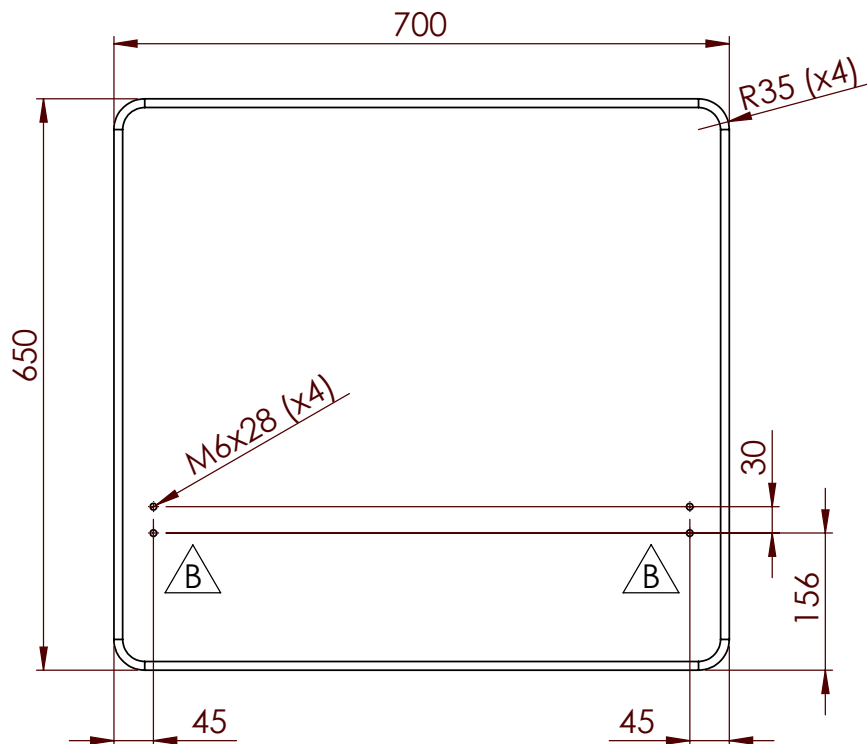


© 2025

GÖTESSONS

Art.nr. 642960		Name ScreenIT A30 table screen 600x650 mm	
View placement ☞ ⊕	General tolerance SS-ISO 2768-1 m	THESE MEASUREMENTS REFER TO THE FRAMEWORK AND DO NOT INCLUDE UPHOLSTERY, SEAM OR ZIP	Material
THIS DRAWING AND INFORMATION CONTAINED HEREIN ARE THE PROPERTY OF GÖTESSONS DESIGN GROUP AB AND SHALL BE RETURNED UPON DEMAND AND SHALL NOT BE REPRODUCED IN WHOLE OR IN PART TO ANYONE ELSE OR USED WITHOUT WRITTEN CONSENT OF GÖTESSONS DESIGN GROUP AB		Rev B	Format A4
		Scale 1:8	Page 1/1

REVISIONS			
REV.	DESCRIPTION	DATE	BY
A	Drawing was made	2024-02-20	Tolle
B	3rd holes was removed	2024-02-20	Tolle

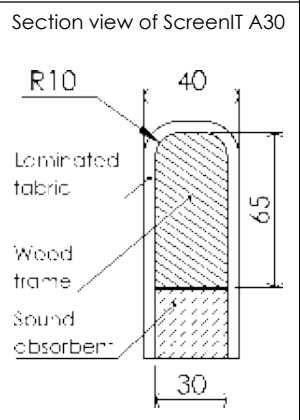
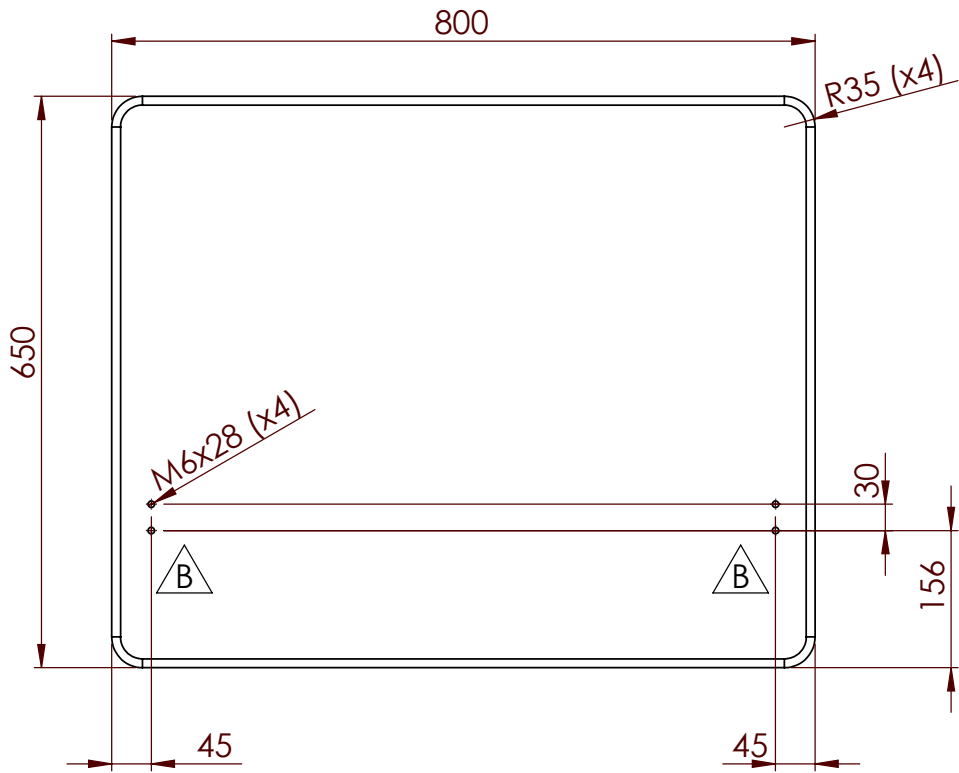


© 2025

GÖTESSONS

Art.nr. 642970		Name ScreenIT A30 table screen 700x650 mm	
View placement 	General tolerance SS-ISO 2768-1 m	THESE MEASUREMENTS REFER TO THE FRAMEWORK AND DO NOT INCLUDE UPHOLSTERY, SEAM OR ZIP	Material
THIS DRAWING AND INFORMATION CONTAINED HEREIN ARE THE PROPERTY OF GÖTESSONS DESIGN GROUP AB AND SHALL BE RETURNED UPON DEMAND AND SHALL NOT BE REPRODUCED IN WHOLE OR IN PART TO ANYONE ELSE OR USED WITHOUT WRITTEN CONSENT OF GÖTESSONS DESIGN GROUP AB		Rev B	Format A4
		Scale 1:8	Page 1/1

REVISIONS			
REV.	DESCRIPTION	DATE	BY
A	Drawing was made	2024-02-20	Tolle
B	3rd holes was removed	2024-02-20	Tolle



© 2025

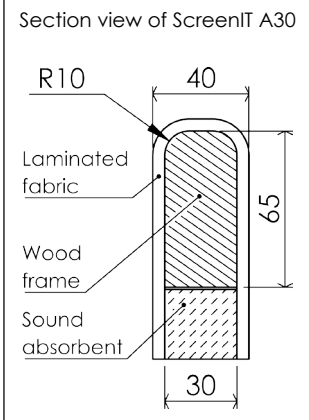
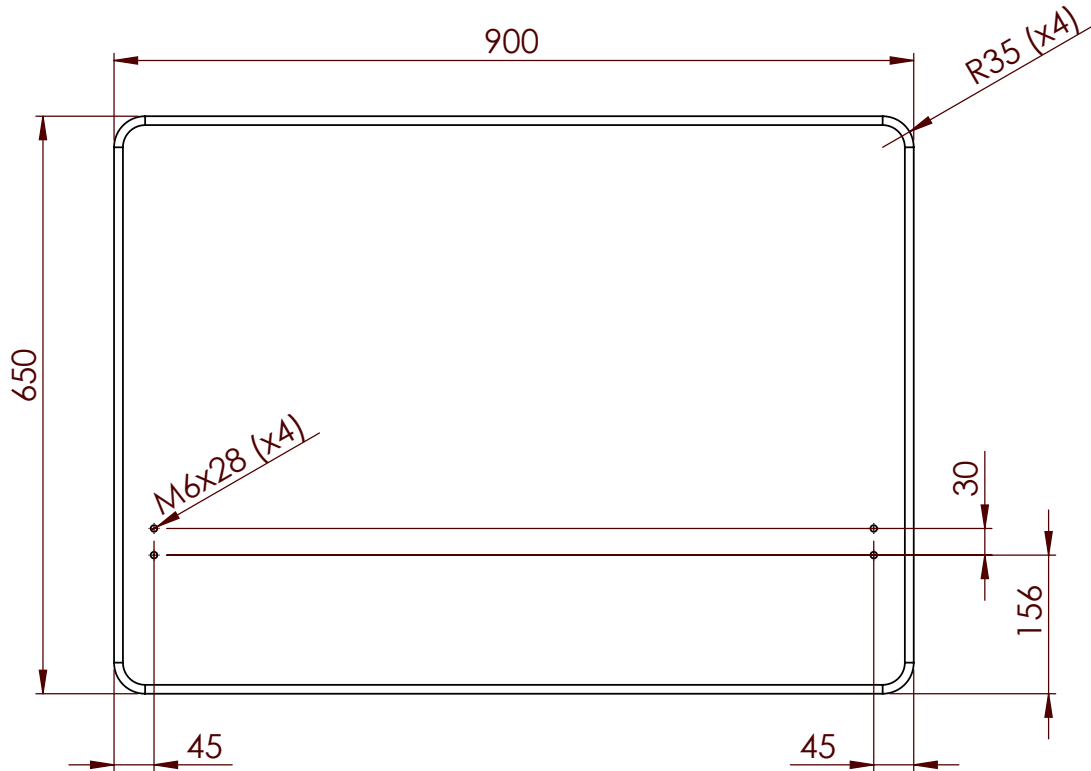
GÖTESSONS

Art.nr. 643080	Name ScreenIT A30 table screen 800x650 mm
-------------------	--

View placement ⊕	General tolerance SS-ISO 2768-1 m	THESE MEASUREMENTS REFER TO THE FRAMEWORK AND DO NOT INCLUDE UPHOLSTERY, SEAM OR ZIP	Material
---------------------	---	--	----------

THIS DRAWING AND INFORMATION CONTAINED HEREIN ARE THE PROPERTY OF GÖTESSONS DESIGN GROUP AB AND SHALL BE RETURNED UPON DEMAND AND SHALL NOT BE REPRODUCED IN WHOLE OR IN PART TO ANYONE ELSE OR USED WITHOUT WRITTEN CONSENT OF GÖTESSONS DESIGN GROUP AB			
Rev B	Format A4	Scale 1:8	Page 1/1

REVISIONS			
REV.	DESCRIPTION	DATE	BY
A	Drawing was made	2026-02-26	Tolle

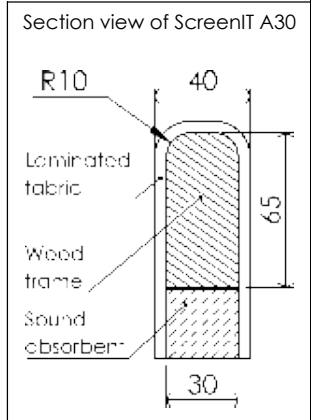
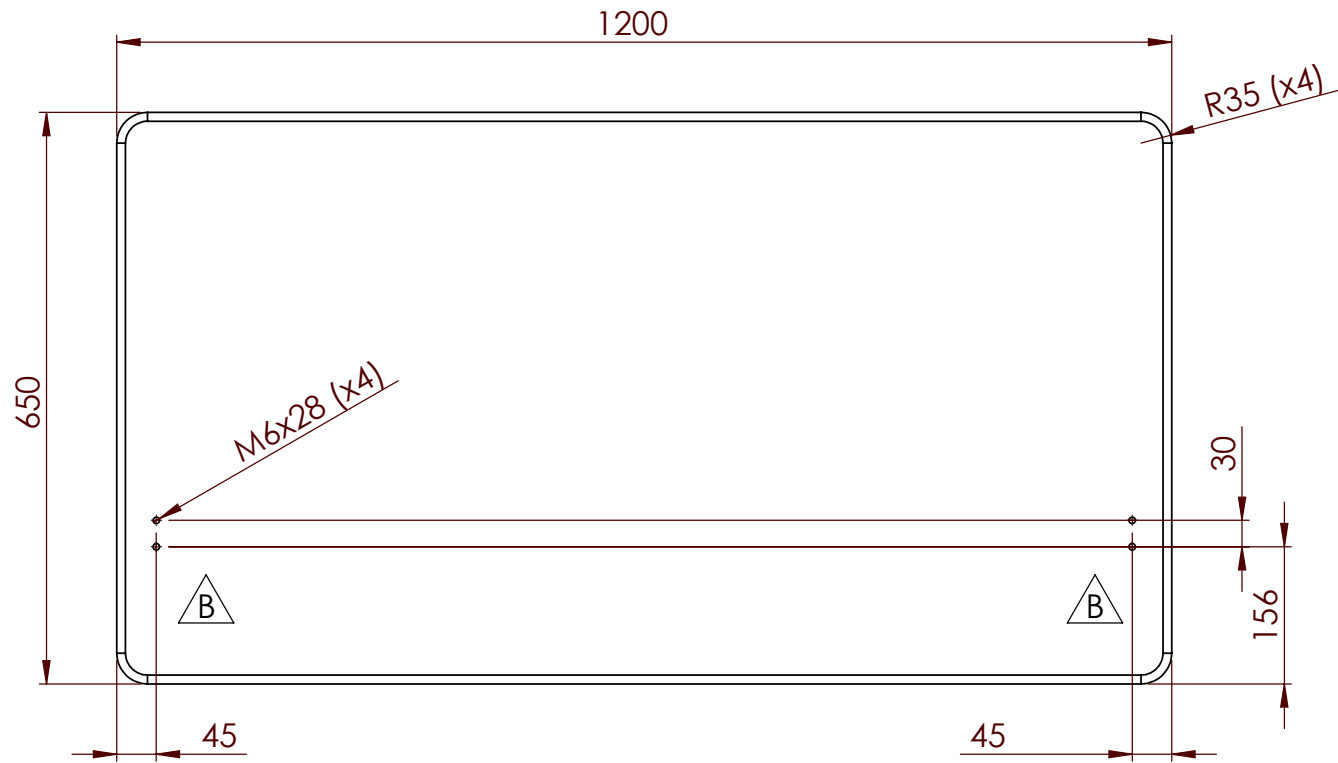


© 2026

GÖTESSONS

Art.nr. 643900		Name ScreenIT A30 900x650 mm	
View placement 	General tolerance SS-ISO 2768-1 m	THESE MEASUREMENTS REFER TO THE FRAMEWORK AND DO NOT INCLUDE UPHOLSTERY, SEAM OR ZIP	Material Material <not specified>
THIS DRAWING AND INFORMATION CONTAINED HEREIN ARE THE PROPERTY OF GÖTESSONS DESIGN GROUP AB AND SHALL BE RETURNED UPON DEMAND AND SHALL NOT BE REPRODUCED IN WHOLE OR IN PART TO ANYONE ELSE OR USED WITHOUT WRITTEN CONSENT OF GÖTESSONS DESIGN GROUP AB		Rev A	Format A4
		Scale 1:8	Page 1/1

REVISIONS			
REV.	DESCRIPTION	DATE	BY
A	Drawing was made	2024-02-20	Tolle
B	3rd holes was removed	2024-02-20	Tolle



© 2025

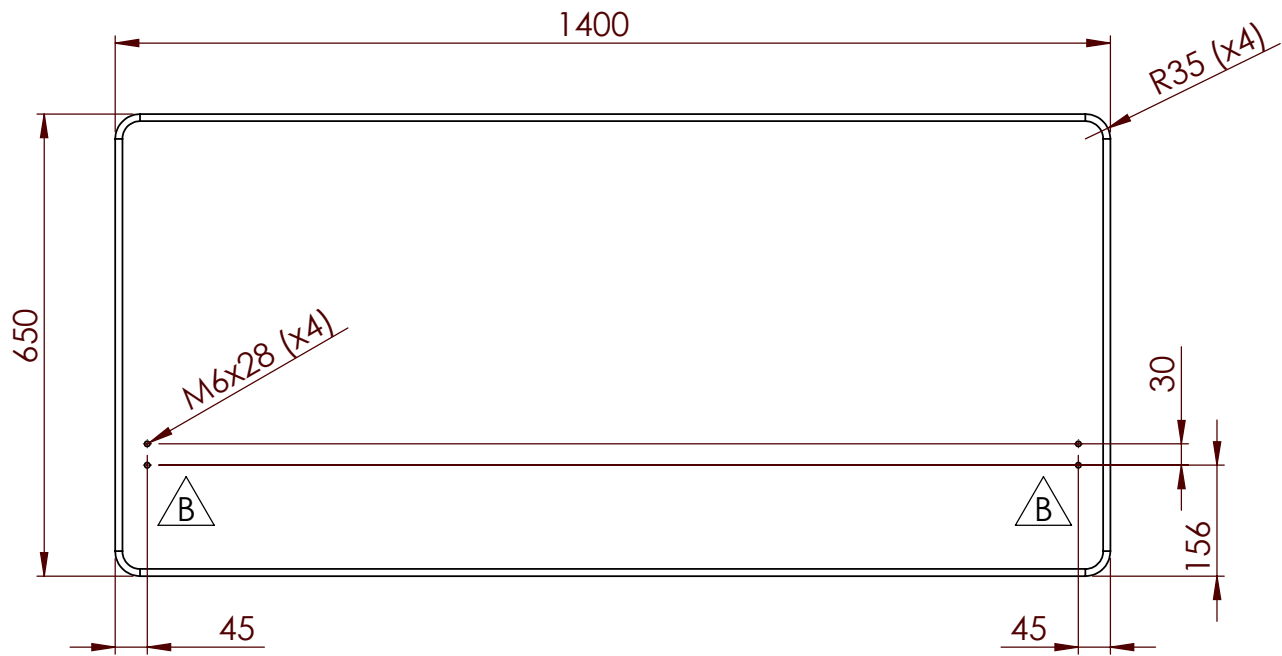
GÖTESSONS

Art.nr. 643120	Name ScreenIT A30 table screen 1200x650 mm
-------------------	---

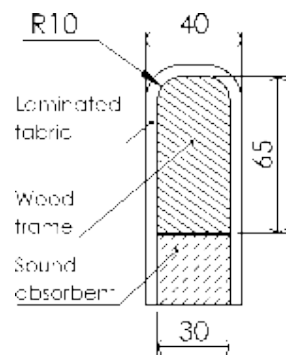
View placement ⊕	General tolerance SS-ISO 2768-1 m	THESE MEASUREMENTS REFER TO THE FRAMEWORK AND DO NOT INCLUDE UPHOLSTERY, SEAM OR ZIP	Material
---------------------	---	--	----------

THIS DRAWING AND INFORMATION CONTAINED HEREIN ARE THE PROPERTY OF GÖTESSONS DESIGN GROUP AB AND SHALL BE RETURNED UPON DEMAND AND SHALL NOT BE REPRODUCED IN WHOLE OR IN PART TO ANYONE ELSE OR USED WITHOUT WRITTEN CONSENT OF GÖTESSONS DESIGN GROUP AB			
Rev B	Format A4	Scale 1:8	Page 1/1

REVISIONS			
REV.	DESCRIPTION	DATE	BY
A	Drawing was made	2024-02-20	Tolle
B	3rd holes was removed	2024-02-20	Tolle



Section view of ScreenIT A30



© 2025

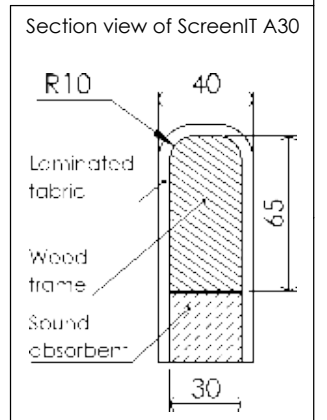
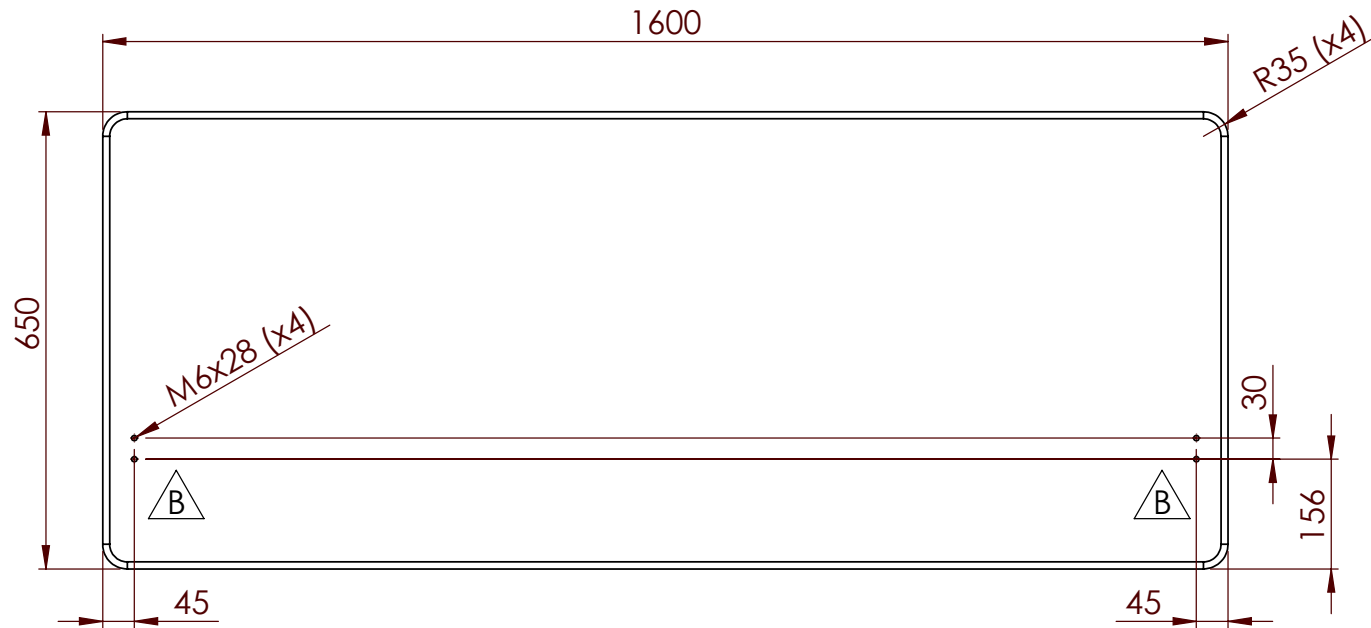
GÖTESSONS

Art.nr. 643140 Name ScreenIT A30 table screen 1400x650 mm

View placement	General tolerance SS-ISO 2768-1 m	THESE MEASUREMENTS REFER TO THE FRAMEWORK AND DO NOT INCLUDE UPHOLSTERY, SEAM OR ZIP	Material
----------------	---	--	----------

THIS DRAWING AND INFORMATION CONTAINED HEREIN ARE THE PROPERTY OF GÖTESSONS DESIGN GROUP AB AND SHALL BE RETURNED UPON DEMAND AND SHALL NOT BE REPRODUCED IN WHOLE OR IN PART TO ANYONE ELSE OR USED WITHOUT WRITTEN CONSENT OF GÖTESSONS DESIGN GROUP AB	Rev B	Format A4	Scale 1:10	Page 1/1
---	-----------------	---------------------	----------------------	--------------------

REVISIONS			
REV.	DESCRIPTION	DATE	BY
A	Drawing was made	2024-02-20	Tolle
B	3rd holes was removed	2024-02-20	Tolle



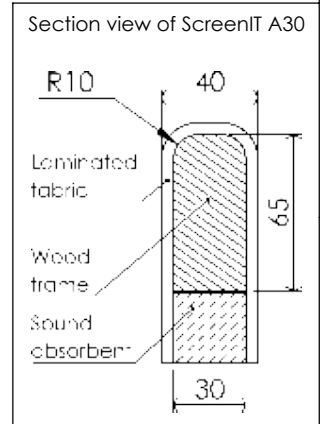
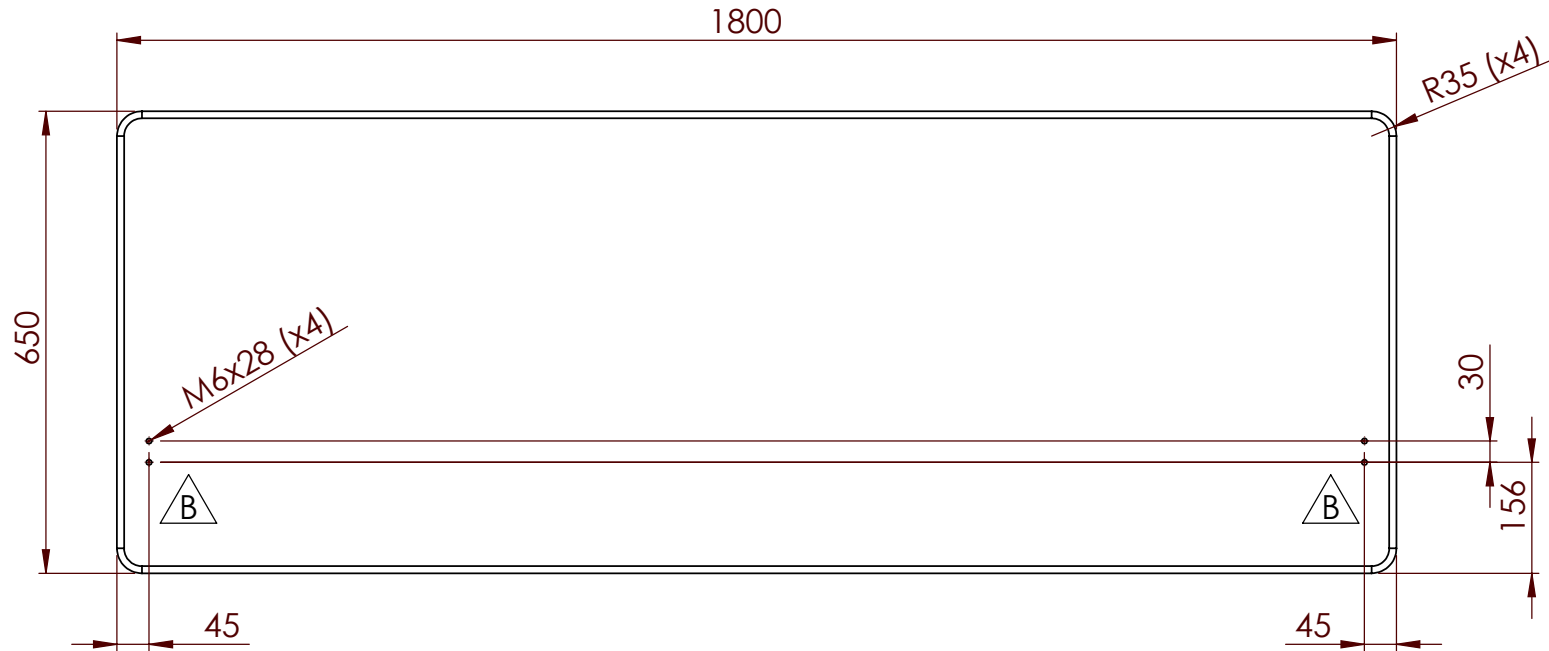
© 2025

GÖTESSONS

Art.nr. 643160 Name ScreenIT A30 table screen 1600x650 mm

View placement	General tolerance SS-ISO 2768-1 m	THESE MEASUREMENTS REFER TO THE FRAMEWORK AND DO NOT INCLUDE UPHOLSTERY, SEAM OR ZIP	Material
THIS DRAWING AND INFORMATION CONTAINED HEREIN ARE THE PROPERTY OF GÖTESSONS DESIGN GROUP AB AND SHALL BE RETURNED UPON DEMAND AND SHALL NOT BE REPRODUCED IN WHOLE OR IN PART TO ANYONE ELSE OR USED WITHOUT WRITTEN CONSENT OF GÖTESSONS DESIGN GROUP AB		Rev B	Format A4
		Scale 1:10	Page 1/1

REVISIONS			
REV.	DESCRIPTION	DATE	BY
A	Drawing was made	2024-02-20	Tolle
B	3rd holes was removed	2024-02-20	Tolle

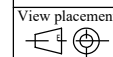


© 2025

GÖTESSONS

Art.nr.
643180

Name
ScreenIT A30 table screen 1800x650 mm



General tolerance
SS-ISO 2768-1
m

THESE MEASUREMENTS
REFER TO THE FRAMEWORK
AND DO NOT INCLUDE
UPHOLSTERY, SEAM OR ZIP

Material

THIS DRAWING AND INFORMATION CONTAINED HEREIN ARE THE PROPERTY OF GÖTESSONS DESIGN GROUP AB AND SHALL BE RETURNED UPON DEMAND AND SHALL NOT BE REPRODUCED IN WHOLE OR IN PART TO ANYONE ELSE OR USED WITHOUT WRITTEN CONSENT OF GÖTESSONS DESIGN GROUP AB

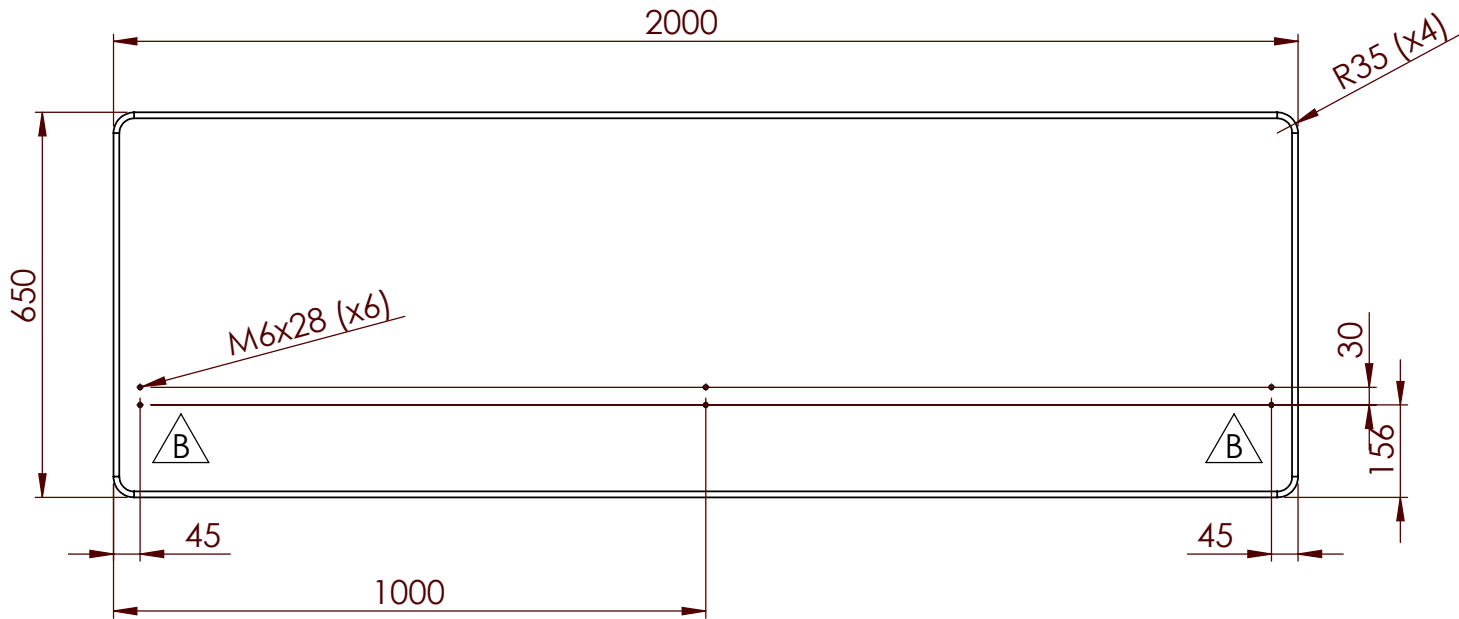
Rev
B

Format
A4

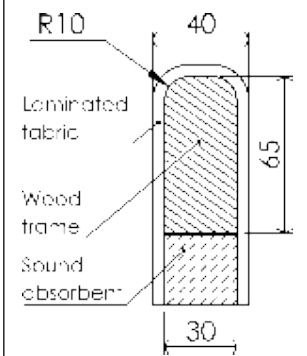
Scale
1:10

Page
1/1

REVISIONS			
REV.	DESCRIPTION	DATE	BY
A	Drawing was made	2024-02-20	Tolle
B	3rd holes was removed	2024-02-20	Tolle



Section view of ScreenIT A30



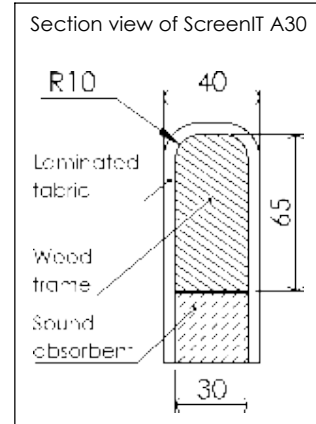
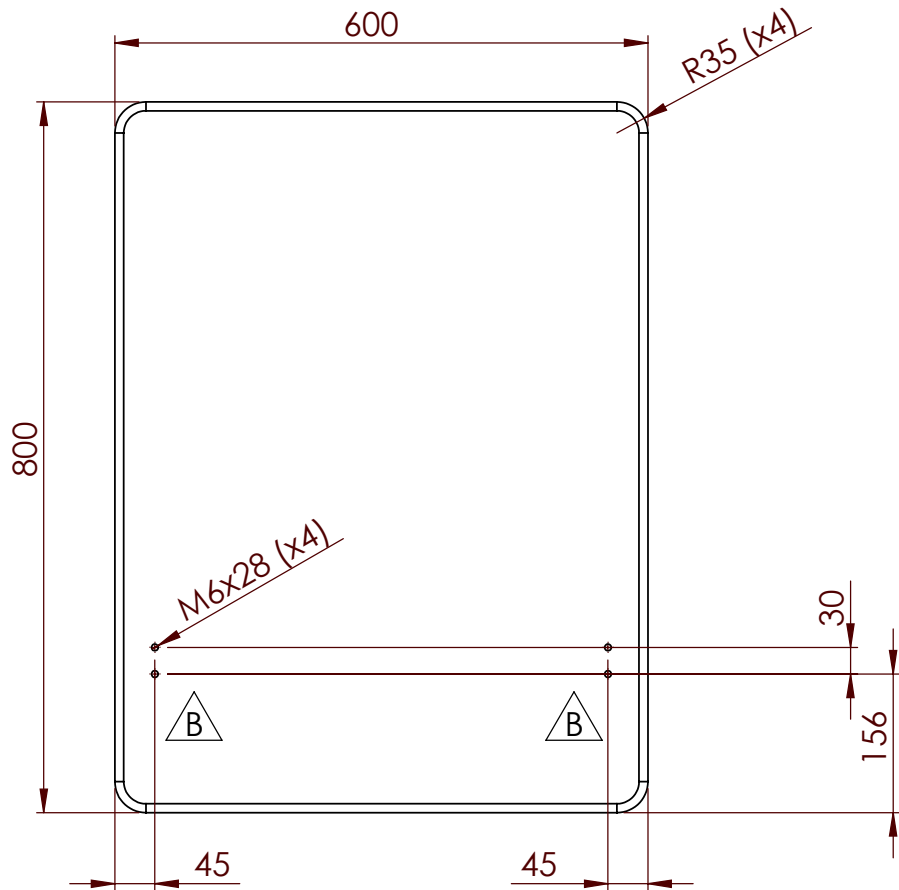
© 2025

GÖTESSONS

Art.nr. 643200	Name ScreenIT A30 table screen 2000x650 mm
-------------------	---

View placement 	General tolerance SS-ISO 2768-1 m	THESE MEASUREMENTS REFER TO THE FRAMEWORK AND DO NOT INCLUDE UPHOLSTERY, SEAM OR ZIP	Material
THIS DRAWING AND INFORMATION CONTAINED HEREIN ARE THE PROPERTY OF GÖTESSONS DESIGN GROUP AB AND SHALL BE RETURNED UPON DEMAND AND SHALL NOT BE REPRODUCED IN WHOLE OR IN PART TO ANYONE ELSE OR USED WITHOUT WRITTEN CONSENT OF GÖTESSONS DESIGN GROUP AB		Rev B	Format A4
		Scale 1:12	Page 1/1

REVISIONS			
REV.	DESCRIPTION	DATE	BY
A	Drawing was made	2024-02-20	Tolle
B	3rd holes was removed	2024-02-20	Tolle



© 2025

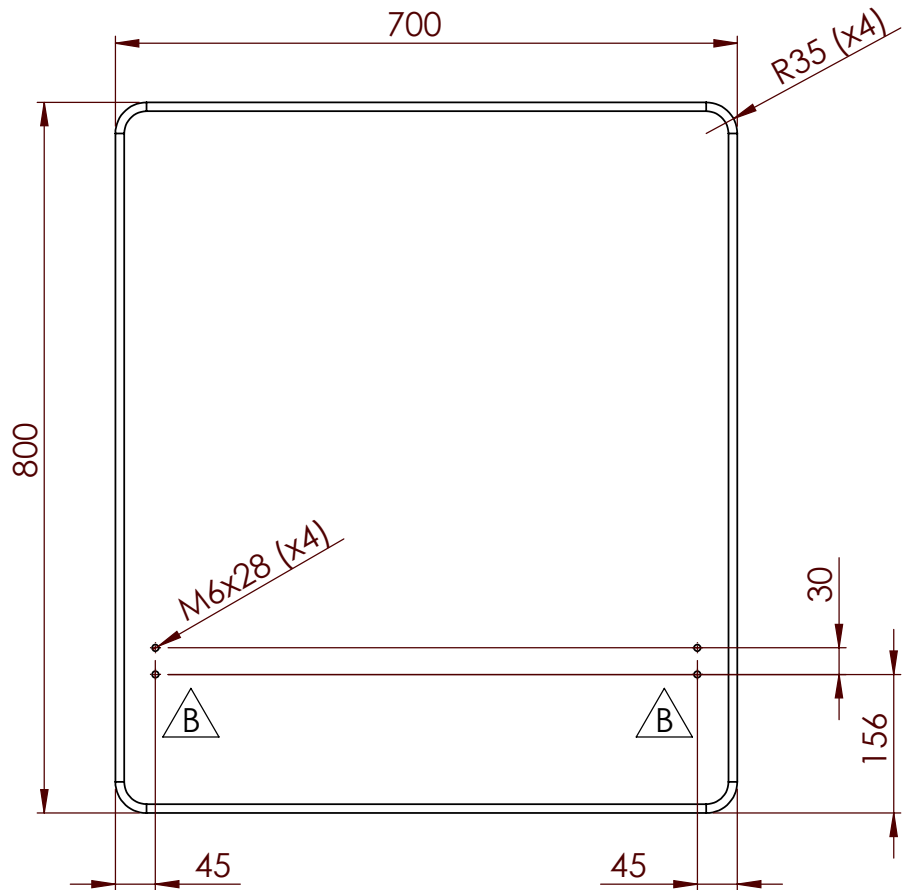
GÖTESSONS

Art.nr. 664060	Name ScreenIT A30 table screen 600x800 mm
-------------------	--

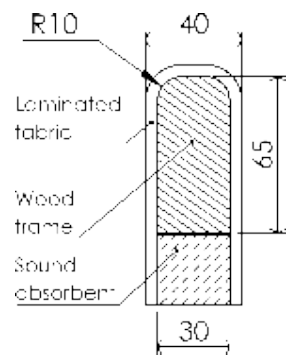
View placement 	General tolerance SS-ISO 2768-1 m	THESE MEASUREMENTS REFER TO THE FRAMEWORK AND DO NOT INCLUDE UPHOLSTERY, SEAM OR ZIP	Material
--------------------	---	--	----------

THIS DRAWING AND INFORMATION CONTAINED HEREIN ARE THE PROPERTY OF GÖTESSONS DESIGN GROUP AB AND SHALL BE RETURNED UPON DEMAND AND SHALL NOT BE REPRODUCED IN WHOLE OR IN PART TO ANYONE ELSE OR USED WITHOUT WRITTEN CONSENT OF GÖTESSONS DESIGN GROUP AB	Rev B	Format A4	Scale 1:8	Page 1/1
---	----------	--------------	--------------	-------------

REVISIONS			
REV.	DESCRIPTION	DATE	BY
A	Drawing was made	2024-02-20	Tolle
B	3rd holes was removed	2024-02-20	Tolle



Section view of ScreenIT A30



© 2025

GÖTESSONS

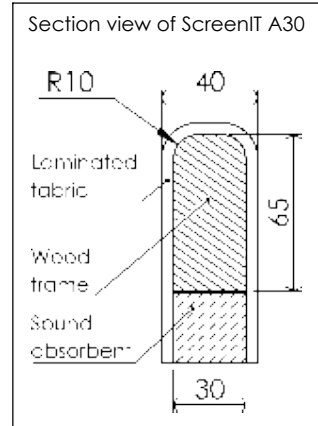
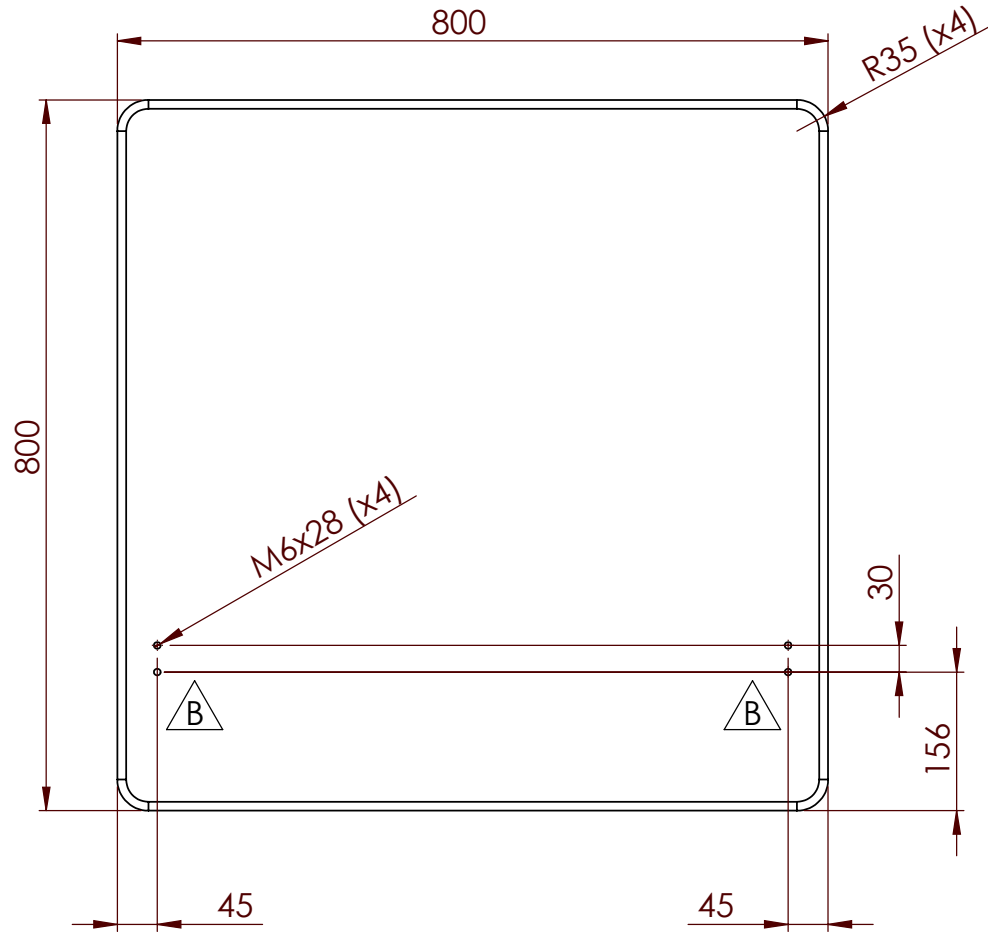
Art.nr. 664070 Name ScreenIT A30 table screen 700x800 mm

View placement General tolerance SS-ISO 2768-1 m THESE MEASUREMENTS REFER TO THE FRAMEWORK AND DO NOT INCLUDE UPHOLSTERY, SEAM OR ZIP Material

THIS DRAWING AND INFORMATION CONTAINED HEREIN ARE THE PROPERTY OF GÖTESSONS DESIGN GROUP AB AND SHALL BE RETURNED UPON DEMAND AND SHALL NOT BE REPRODUCED IN WHOLE OR IN PART TO ANYONE ELSE OR USED WITHOUT WRITTEN CONSENT OF GÖTESSONS DESIGN GROUP AB

Rev	Format	Scale	Page
B	A4	1:8	1/1

REVISIONS			
REV.	DESCRIPTION	DATE	BY
A	Drawing was made	2024-02-20	Tolle
B	3rd holes was removed	2024-02-20	Tolle

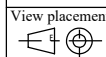


© 2025

GÖTESSONS

Art.nr.
664080

Name
ScreenIT A30 table screen 800x800 mm



General tolerance
SS-ISO 2768-1
m

THESE MEASUREMENTS
REFER TO THE FRAMEWORK
AND DO NOT INCLUDE
UPHOLSTERY, SEAM OR ZIP

Material

THIS DRAWING AND INFORMATION CONTAINED HEREIN ARE THE PROPERTY OF GÖTESSONS DESIGN GROUP AB AND SHALL BE RETURNED UPON DEMAND AND SHALL NOT BE REPRODUCED IN WHOLE OR IN PART TO ANYONE ELSE OR USED WITHOUT WRITTEN CONSENT OF GÖTESSONS DESIGN GROUP AB

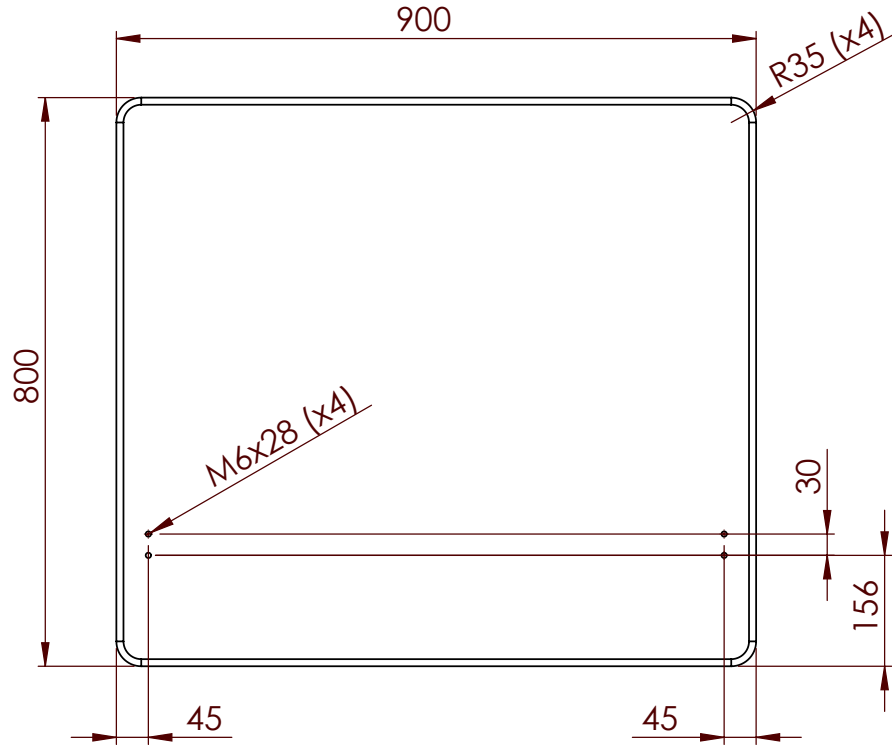
Rev
B

Format
A4

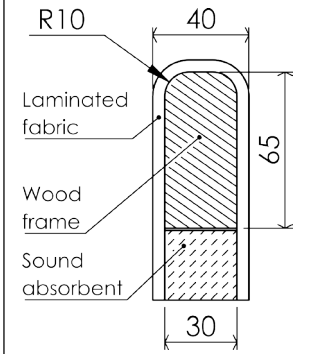
Scale
1:8

Page
1/1

REVISIONS			
REV.	DESCRIPTION	DATE	BY
A	Drawing was made	2026-02-26	Tolle



Section view of ScreenIT A30



© 2026

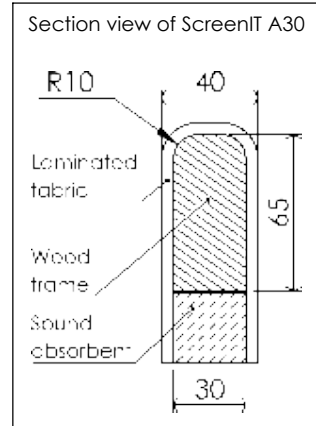
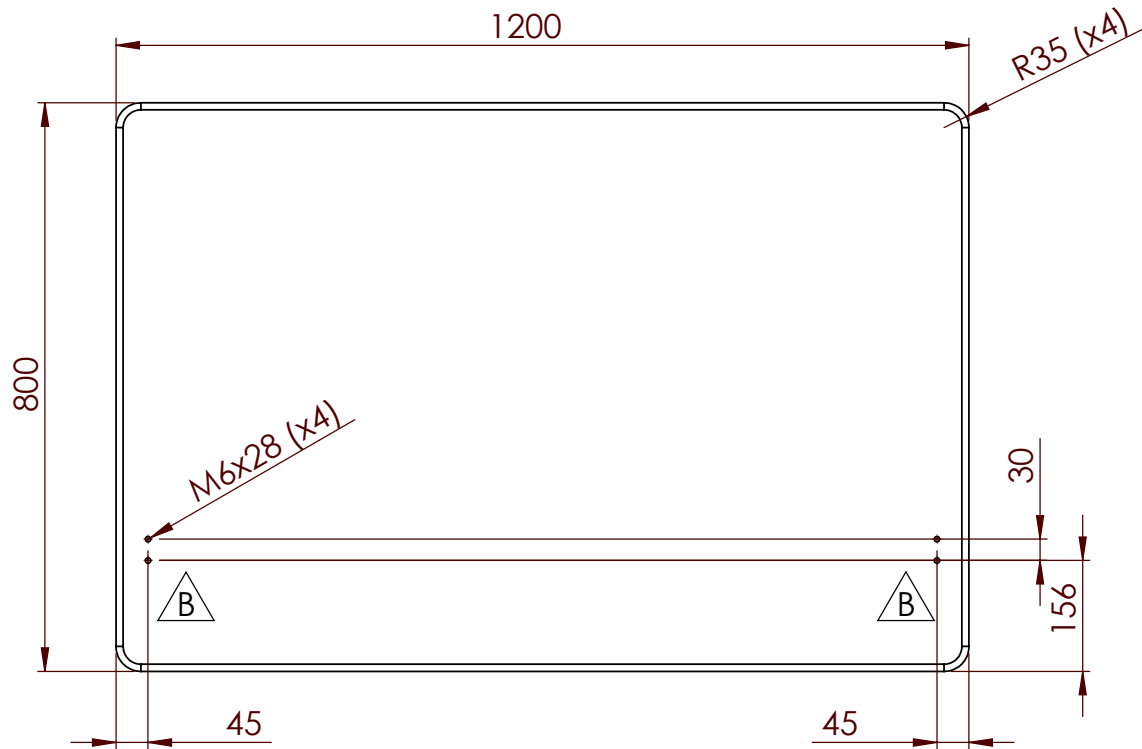
GÖTESSONS

Art.nr. 664090	Name ScreenIT A30 900x800 mm
-------------------	---------------------------------

View placement 	General tolerance SS-ISO 2768-1 m	THESE MEASUREMENTS REFER TO THE FRAMEWORK AND DO NOT INCLUDE UPHOLSTERY, SEAM OR ZIP	Material Pine
--------------------	---	--	------------------

THIS DRAWING AND INFORMATION CONTAINED HEREIN ARE THE PROPERTY OF GÖTESSONS DESIGN GROUP AB AND SHALL BE RETURNED UPON DEMAND AND SHALL NOT BE REPRODUCED IN WHOLE OR IN PART TO ANYONE ELSE OR USED WITHOUT WRITTEN CONSENT OF GÖTESSONS DESIGN GROUP AB	Rev A	Format A4	Scale 1:10	Page 1/1
---	----------	--------------	---------------	-------------

REVISIONS			
REV.	DESCRIPTION	DATE	BY
A	Drawing was made	2024-02-20	Tolle
B	3rd holes was removed	2024-02-20	Tolle



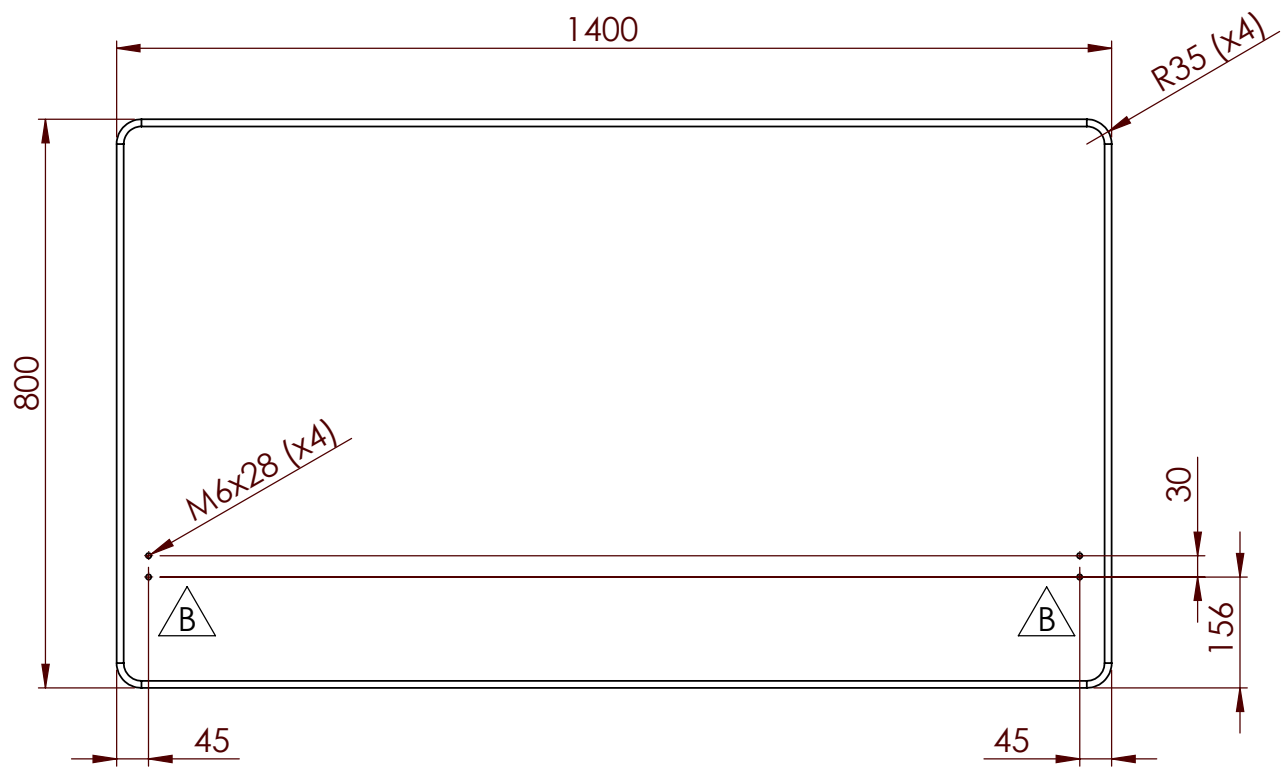
© 2025

GÖTESSONS

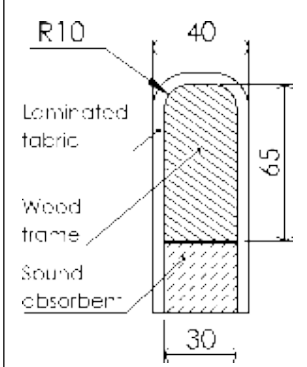
Art.nr. 664120	Name ScreenIT A30 table screen 1200x800 mm
-------------------	---

View placement 	General tolerance SS-ISO 2768-1 m	THESE MEASUREMENTS REFER TO THE FRAMEWORK AND DO NOT INCLUDE UPHOLSTERY, SEAM OR ZIP	Material
THIS DRAWING AND INFORMATION CONTAINED HEREIN ARE THE PROPERTY OF GÖTESSONS DESIGN GROUP AB AND SHALL BE RETURNED UPON DEMAND AND SHALL NOT BE REPRODUCED IN WHOLE OR IN PART TO ANYONE ELSE OR USED WITHOUT WRITTEN CONSENT OF GÖTESSONS DESIGN GROUP AB		Rev B	Format A4
		Scale 1:10	Page 1/1

REVISIONS			
REV.	DESCRIPTION	DATE	BY
A	Drawing was made	2024-02-20	Tolle
B	3rd holes was removed	2024-02-20	Tolle



Section view of ScreenIT A30



© 2025

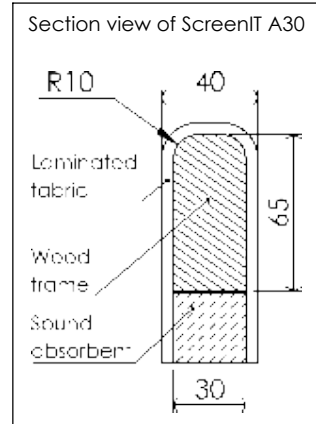
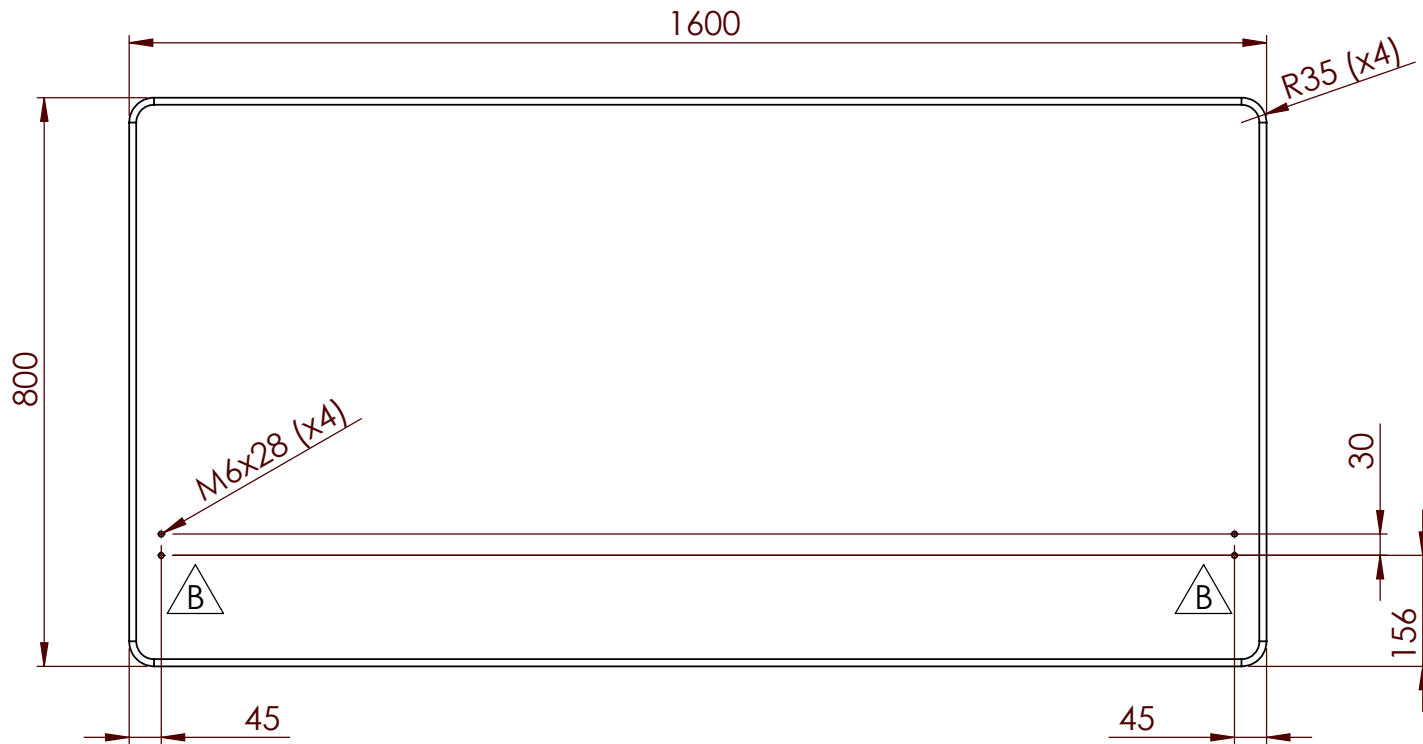
GÖTESSONS

Art.nr. 664140	Name ScreenIT A30 table screen 1400x800 mm
-------------------	---

View placement 	General tolerance SS-ISO 2768-1 m	THESE MEASUREMENTS REFER TO THE FRAMEWORK AND DO NOT INCLUDE UPHOLSTERY, SEAM OR ZIP	Material
--------------------	---	--	----------

THIS DRAWING AND INFORMATION CONTAINED HEREIN ARE THE PROPERTY OF GÖTESSONS DESIGN GROUP AB AND SHALL BE RETURNED UPON DEMAND AND SHALL NOT BE REPRODUCED IN WHOLE OR IN PART TO ANYONE ELSE OR USED WITHOUT WRITTEN CONSENT OF GÖTESSONS DESIGN GROUP AB	Rev B	Format A4	Scale 1:10	Page 1/1
---	----------	--------------	---------------	-------------

REVISIONS			
REV.	DESCRIPTION	DATE	BY
A	Drawing was made	2024-02-20	Tolle
B	3rd holes was removed	2024-02-20	Tolle



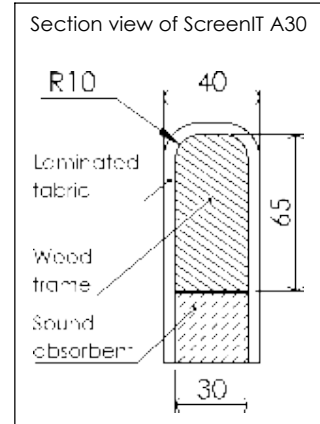
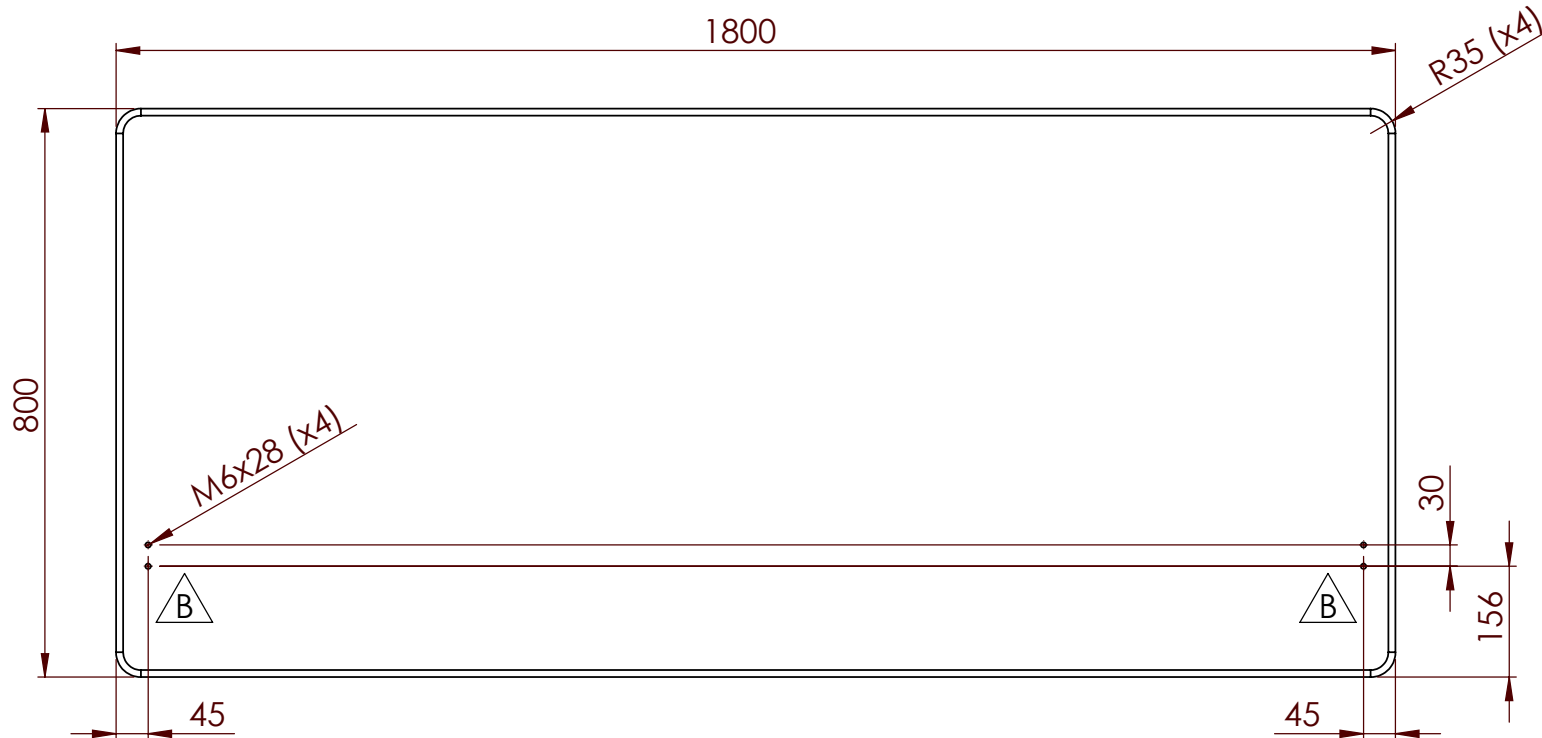
© 2025

GÖTESSONS

Art.nr. 664160	Name ScreenIT A30 table screen 1600x800 mm
-------------------	---

View placement 	General tolerance SS-ISO 2768-1 m	THESE MEASUREMENTS REFER TO THE FRAMEWORK AND DO NOT INCLUDE UPHOLSTERY, SEAM OR ZIP	Material
THIS DRAWING AND INFORMATION CONTAINED HEREIN ARE THE PROPERTY OF GÖTESSONS DESIGN GROUP AB AND SHALL BE RETURNED UPON DEMAND AND SHALL NOT BE REPRODUCED IN WHOLE OR IN PART TO ANYONE ELSE OR USED WITHOUT WRITTEN CONSENT OF GÖTESSONS DESIGN GROUP AB		Rev B	Format A4
		Scale 1:10	Page 1/1

REVISIONS			
REV.	DESCRIPTION	DATE	BY
A	Drawing was made	2024-02-20	Tolle
B	3rd holes was removed	2024-02-20	Tolle

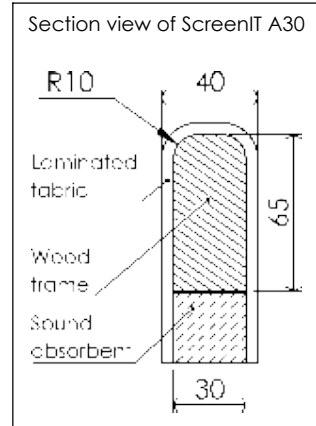
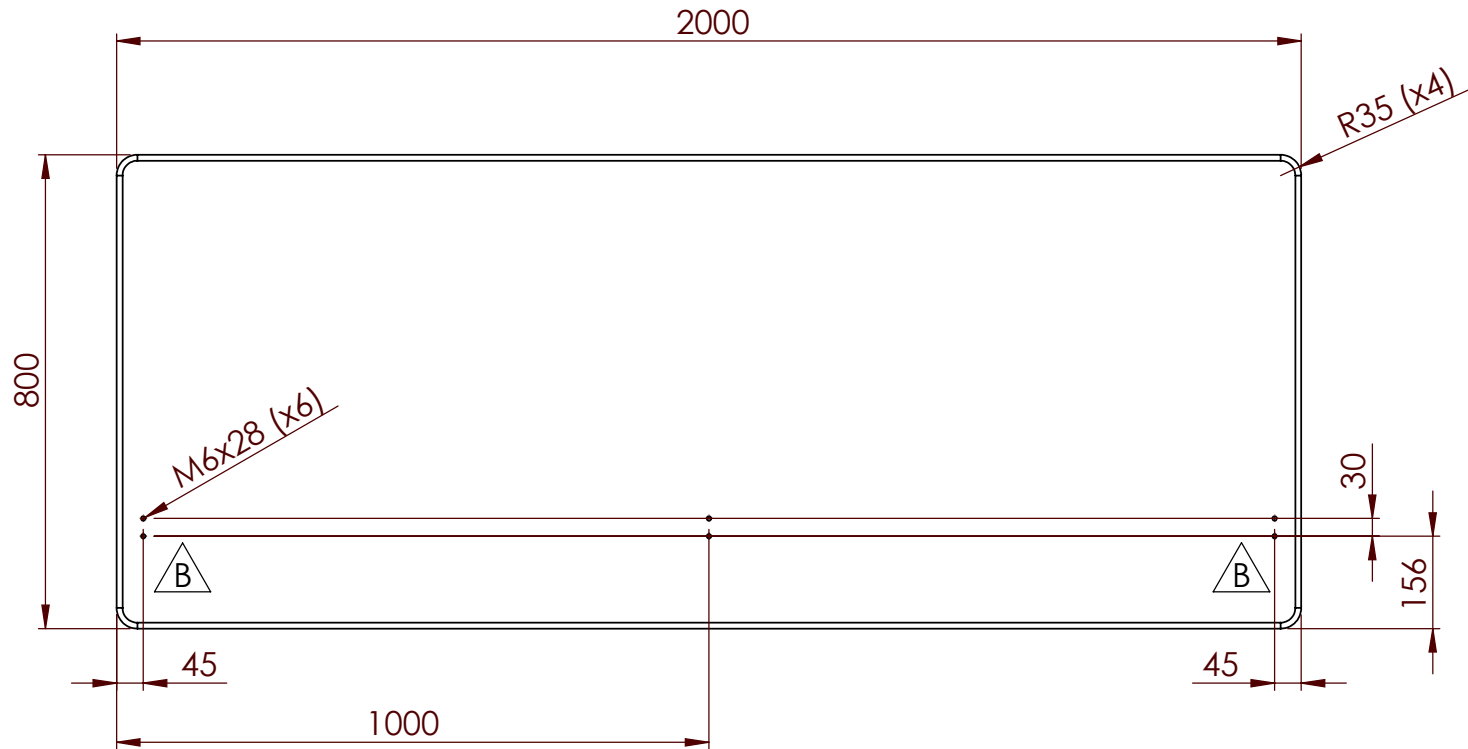


© 2025

GÖTESSONS

Art.nr. 664180		Name ScreenIT A30 table screen 1800x800 mm	
View placement 	General tolerance SS-ISO 2768-1 m	THESE MEASUREMENTS REFER TO THE FRAMEWORK AND DO NOT INCLUDE UPHOLSTERY, SEAM OR ZIP	Material
THIS DRAWING AND INFORMATION CONTAINED HEREIN ARE THE PROPERTY OF GÖTESSONS DESIGN GROUP AB AND SHALL BE RETURNED UPON DEMAND AND SHALL NOT BE REPRODUCED IN WHOLE OR IN PART TO ANYONE ELSE OR USED WITHOUT WRITTEN CONSENT OF GÖTESSONS DESIGN GROUP AB		Rev B	Format A4
		Scale 1:10	Page 1/1

REVISIONS			
REV.	DESCRIPTION	DATE	BY
A	Drawing was made	2024-02-20	Tolle
B	3rd holes was removed	2024-02-20	Tolle



© 2025

GÖTESSONS

Art.nr. 664200 Name ScreenIT A30 table screen 2000x800 mm

View placement	General tolerance SS-ISO 2768-1 m	THESE MEASUREMENTS REFER TO THE FRAMEWORK AND DO NOT INCLUDE UPHOLSTERY, SEAM OR ZIP	Material
THIS DRAWING AND INFORMATION CONTAINED HEREIN ARE THE PROPERTY OF GÖTESSONS DESIGN GROUP AB AND SHALL BE RETURNED UPON DEMAND AND SHALL NOT BE REPRODUCED IN WHOLE OR IN PART TO ANYONE ELSE OR USED WITHOUT WRITTEN CONSENT OF GÖTESSONS DESIGN GROUP AB		Rev B	Format A4
		Scale 1:12	Page 1/1