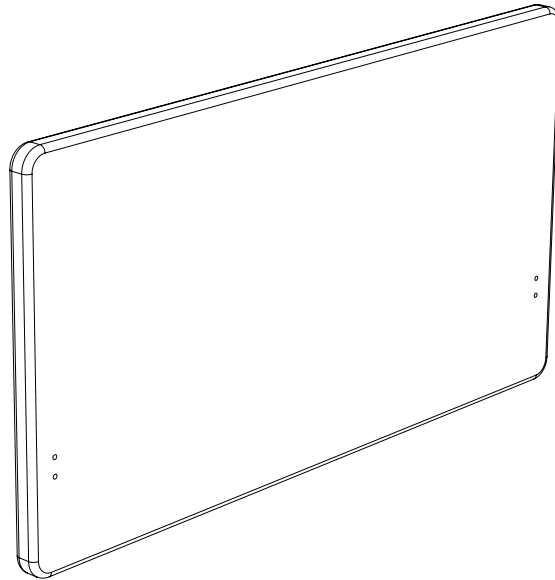


Desk screens



GÖTESSONS

S

GB

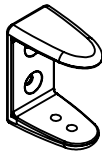
Monteringsanvisning Mounting instruction

A30 skärm med klämfäste Screen A30 with desk clamp

Innehåll

Content

Design may vary depending on product.



A
x2 / x3



B
x2 / x3



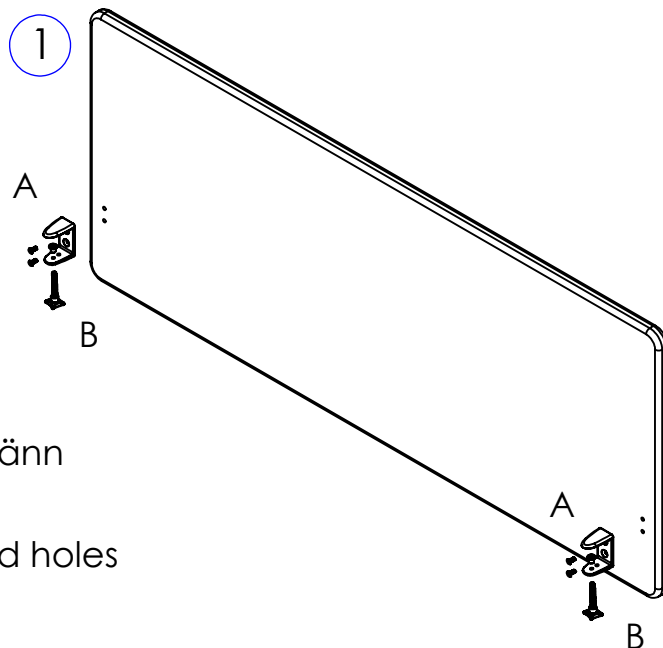
D
x4 / x6



E
x2 / x3



F 1st/pcs



1

Skruva fast klämfästena A i bordsskärmen och sedan spänn skruvarna B i klämfästena.

Screw clamp A into predrilled holes then locking screw B.

GÖTESSONS

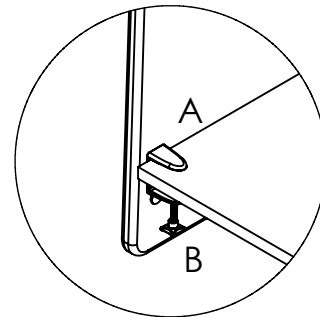
S

GB

Monteringsanvisning Mounting instruction

2

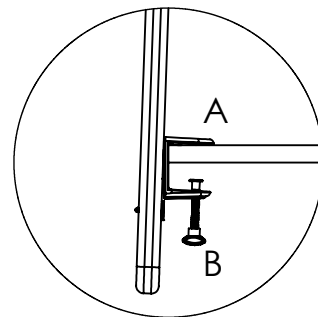
Häng upp bordsskärmen i
bordsskivan och drag åt
spännskruvarna.
Place the screen on the table
and tighten the locking screw.



2

3

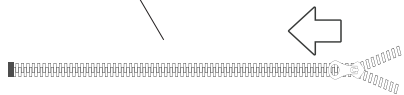
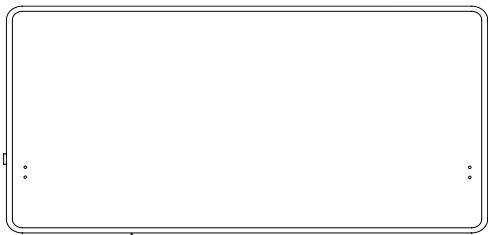
Räta upp skärmen med
spännskruvarna.
Straighten up the screen with
the locking screw.



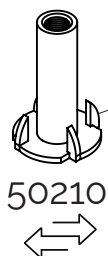
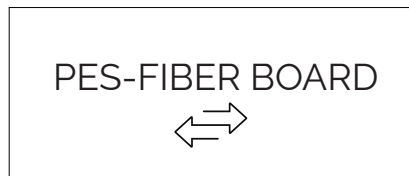
3

DISASSEMBLY INSTRUCTION

1)

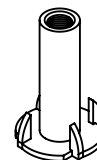
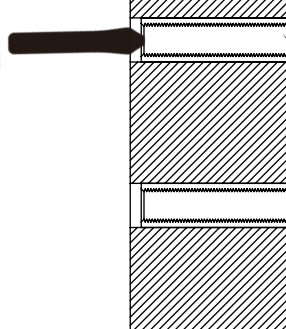
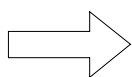


2)



LABEL OF TRACEABILITY

3) REMOVE INSERT NUT
50210 M6x28



50210

NECESSARY TOOLS



SYMBOLS



Replaceable spare part
Contact Götessons

CARE INSTRUCTIONS



Maximize life - minimize waste. Follow this guide for correct repair and end-of-life disassembly. Proper handling ensures your warranty remains valid and enables 100% material recycling. Contact Götessons for spare parts or circularity inquiries.