

## Plant Divider

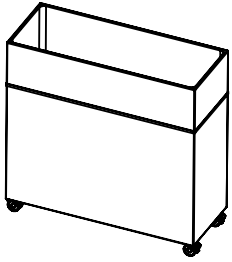




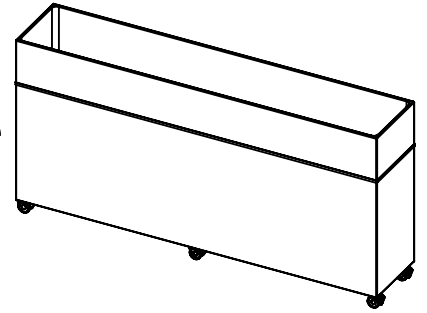
# GÖTESSONS

S

GB



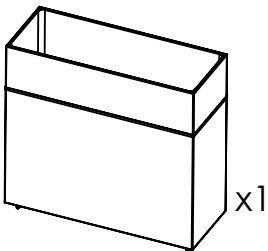
**Monteringsanvisning  
Plant Divider Small / Large**



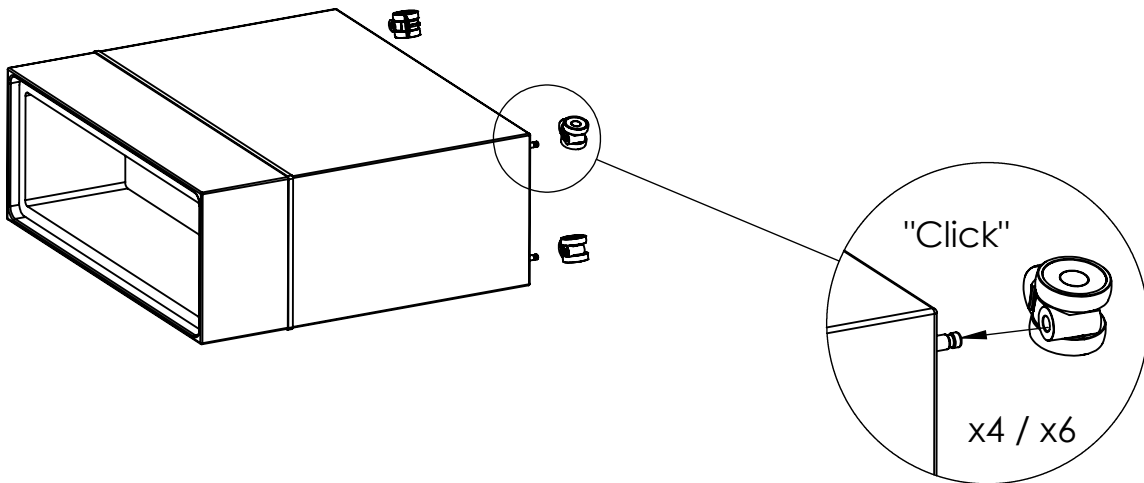
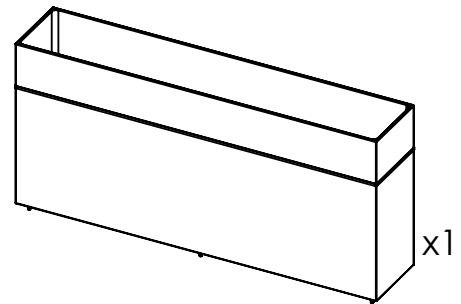
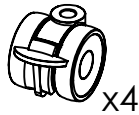
**Assembly instruction  
Plant Divider Small / Large**

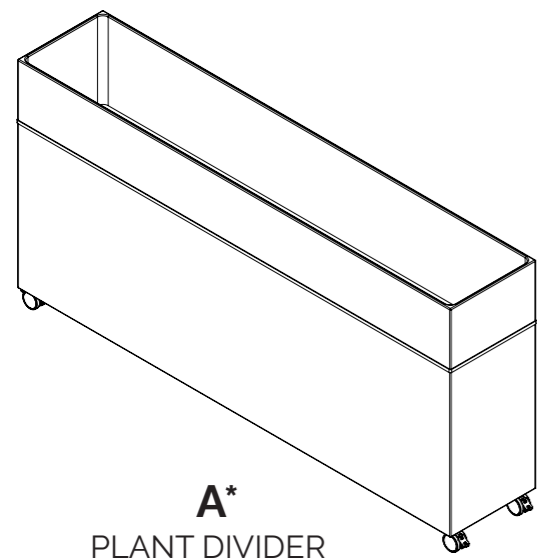
**Innehåll**

**Content**

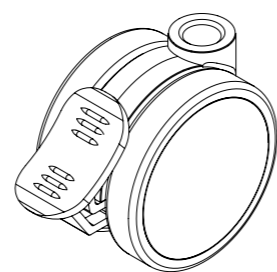
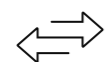


**Alt**

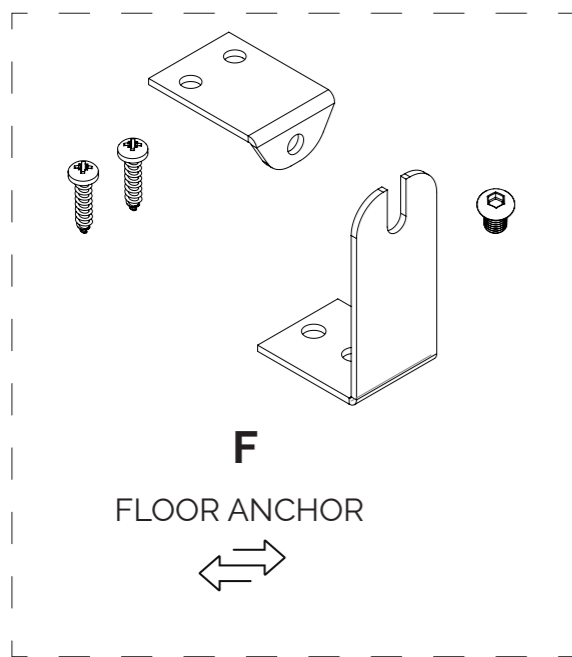
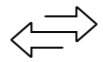




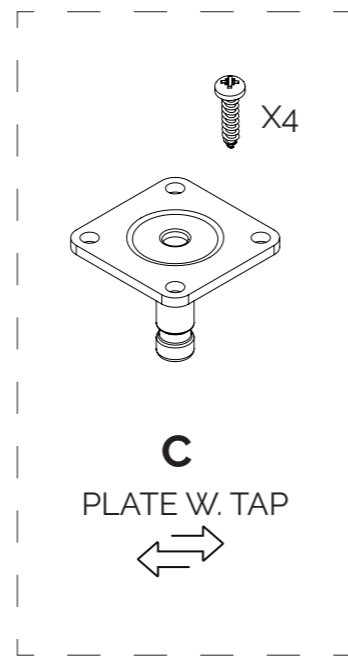
**A\***  
PLANT DIVIDER



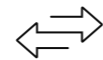
**B\***  
WHEEL



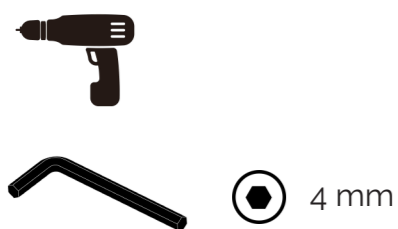
**F**  
FLOOR ANCHOR



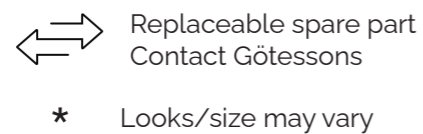
**C**  
PLATE W. TAP



NECESSARY TOOLS



SYMBOLS

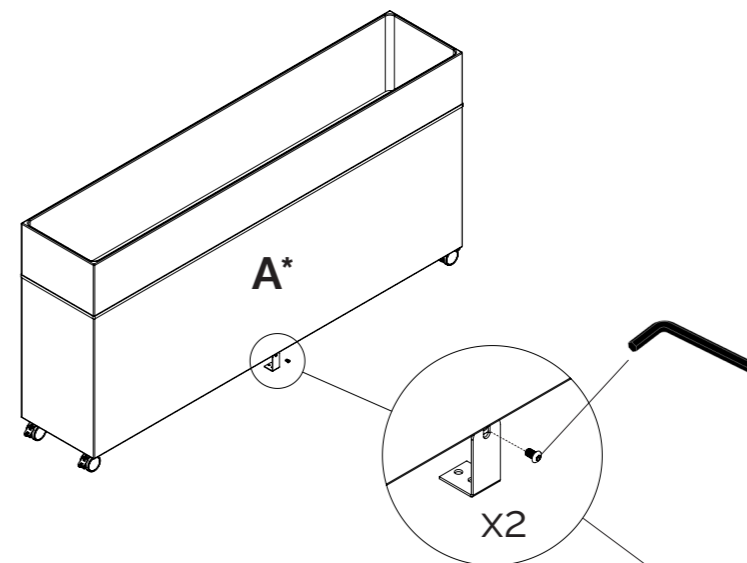


CARE INSTRUCTIONS

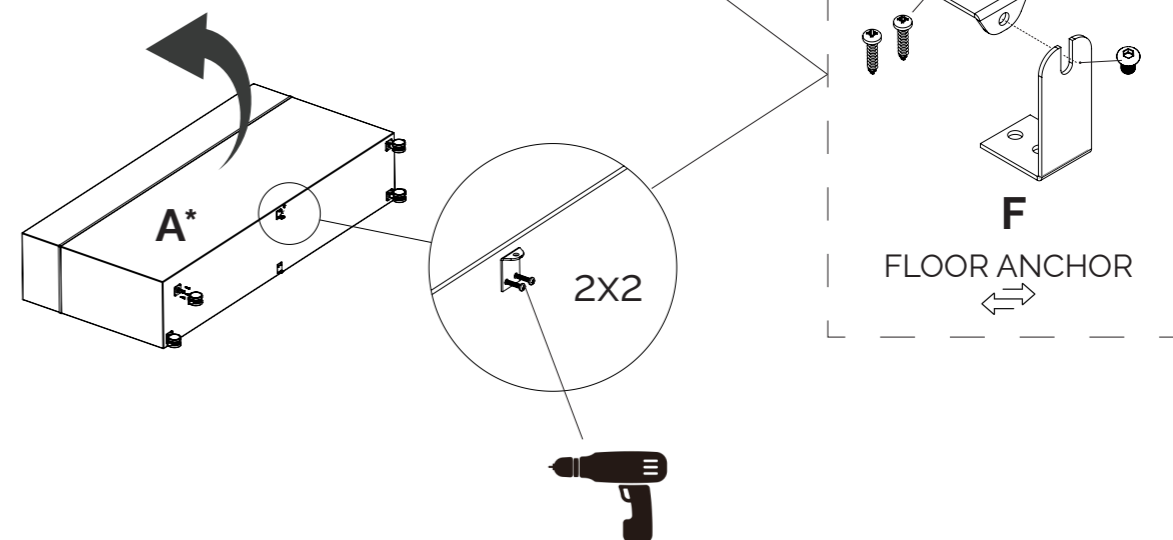


Maximize life – minimize waste. Follow this guide for correct repair and end-of-life disassembly. Proper handling ensures your warranty remains valid and enables 100% material recycling. Contact Götessons for spare parts or circularity inquiries.

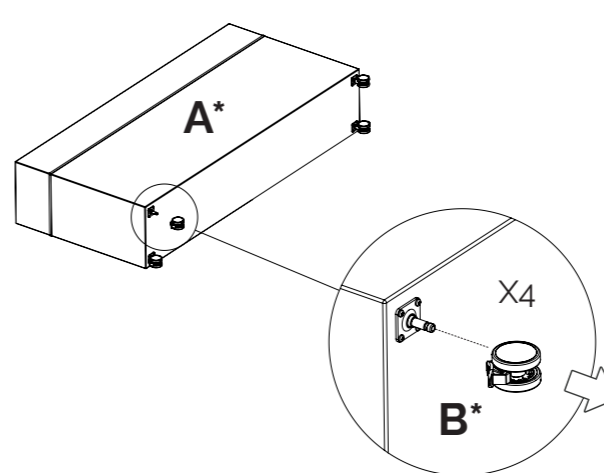
1)



2)



3)



4)

