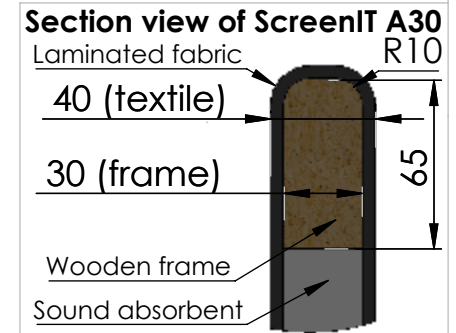
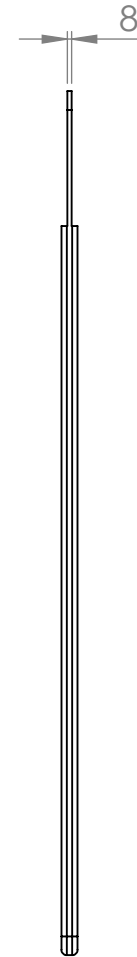
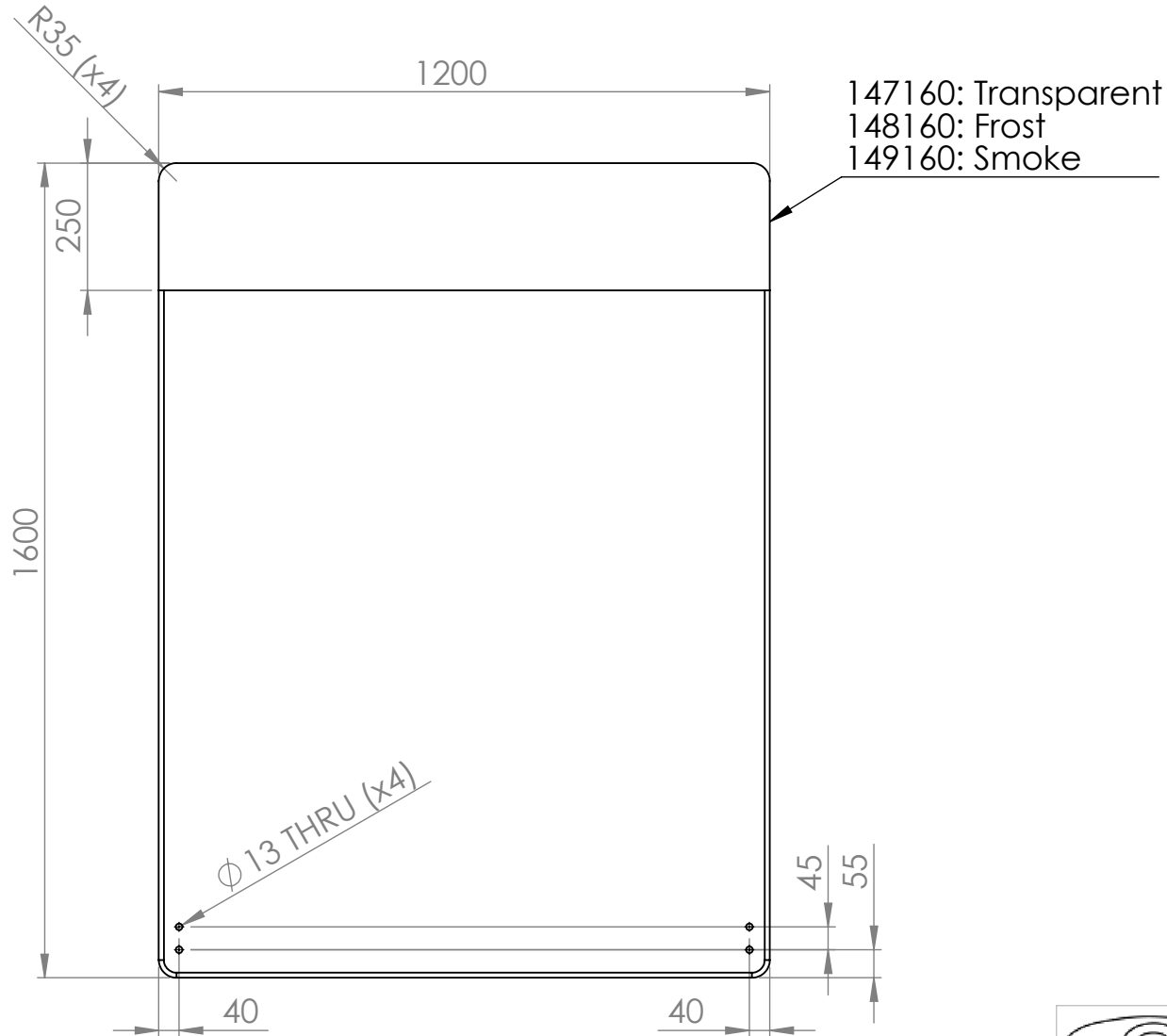


These measurements refer to the frame work
and do not include upholstery, seam or zip

Tolerances (mm)			
Dimension			Deviation
(1)	-	20	±0,2
(20)	-	50	±0,5
(50)	-	200	±1,0
(200)	-		±2,0



Material	x	Art.nr.	147160, 148160, 149160	Blad	1/1	A4	
Skala	1:14	Sign.	Tolle	Benämning	ScreenIT A30 floor screen 1200x1600 incl plexi		
		Datum	2017-12-19			Rev	-