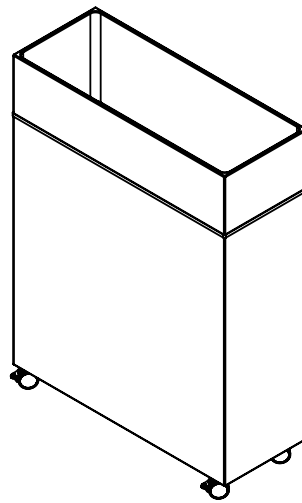


Plant Divider

DRAWINGS

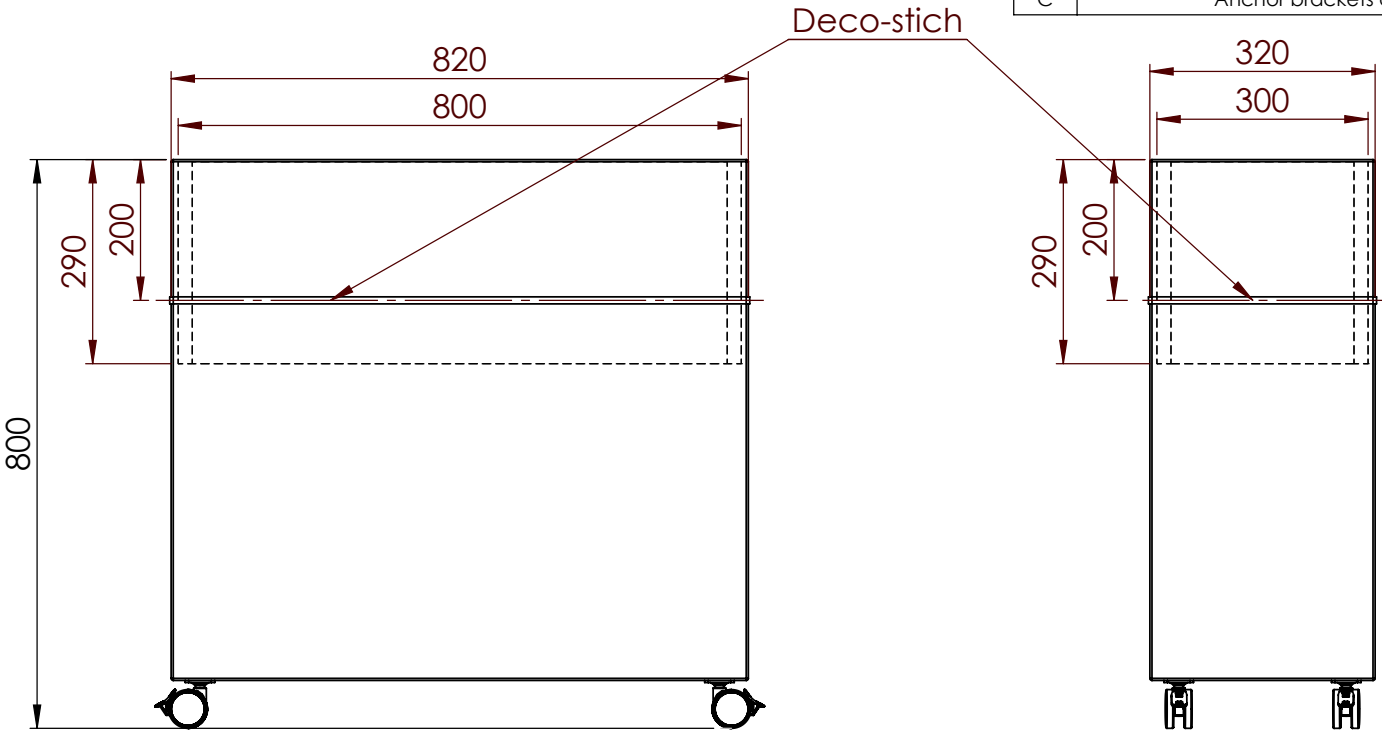


GÖTESSONS INDUSTRI AB

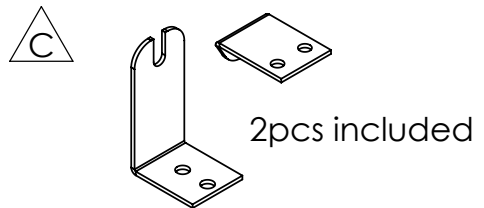
Rönnåsgatan 5B,
523 38 Ulricehamn
Box 56, 523 22 Ulricehamn
Tel +46 (0)321-687700
info@gotessons.se

G Ö T E S S O N S

REVISIONS			
REV.	DESCRIPTION	DATE	BY
A	Drawing was made	2019-10-01	Jonathan
B	Updated construction, absorbent inside	2025-03-28	Aarash
C	Anchor brackets added	2026-02-11	Tolle



Floor anchoring bracket

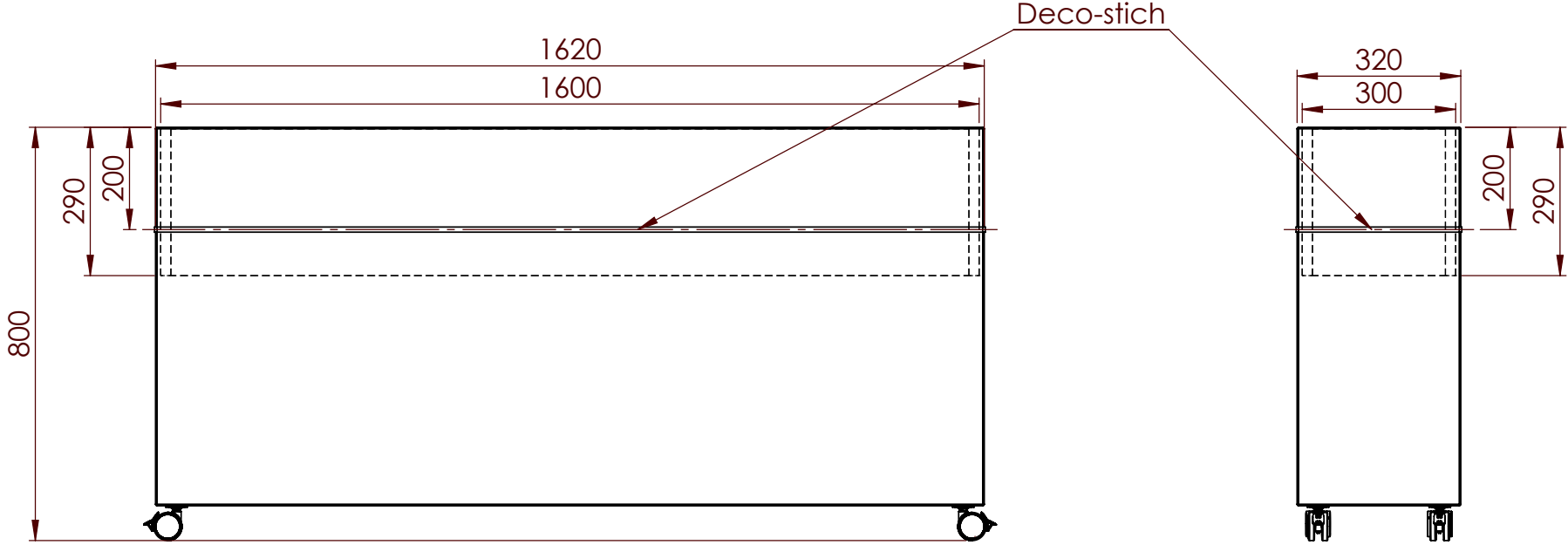


© 2026

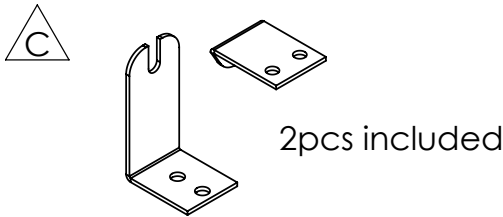
GÖTESSONS

Art.nr. 160083 & 160084		Name Plant divider small H: 800 mm	
View placement 	General tolerance SS-ISO 2768-1 m	Material	
<small>THIS DRAWING AND INFORMATION CONTAINED HEREIN ARE THE PROPERTY OF GÖTESSONS DESIGN GROUP AB AND SHALL BE RETURNED UPON DEMAND AND SHALL NOT BE REPRODUCED IN WHOLE OR IN PART TO ANYONE ELSE OR USED WITHOUT WRITTEN CONSENT OF GÖTESSONS DESIGN GROUP AB</small>		Rev C	Format A4
		Scale 1:10	Page 1/1

REVISIONS			
REV.	DESCRIPTION	DATE	BY
A	Drawing was made	2019-10-01	Jonathan
B	Updated construction, absorbent inside	2025-03-28	Aarash
C	Middle wheels removed. Anchor brackets added	2026-02-11	Tolle



Floor anchoring bracket

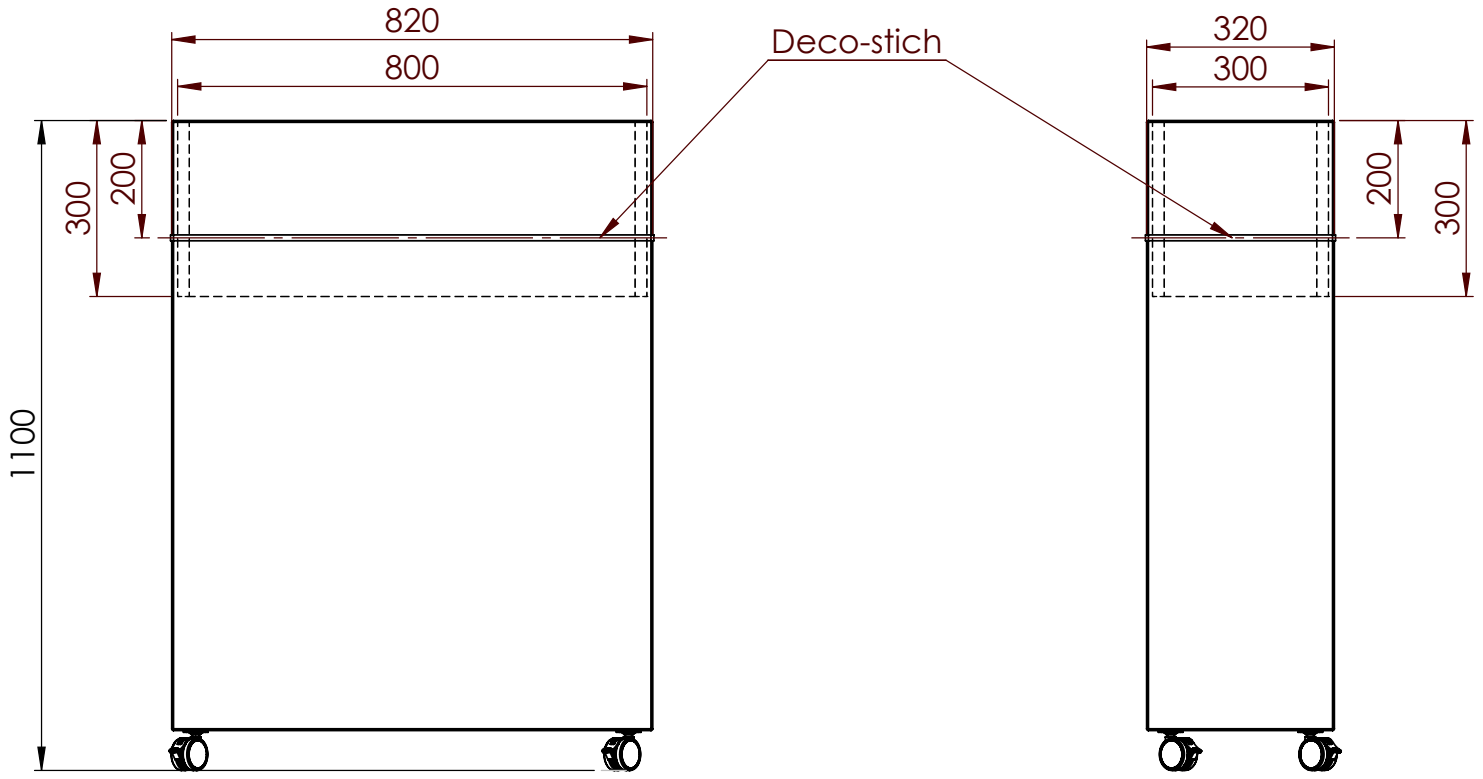


© 2026

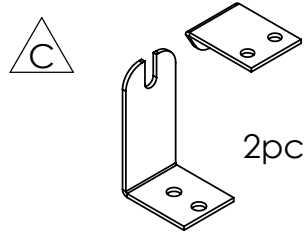
GÖTESSONS

Art.nr. 160085 & 160086		Name Plant divider large H: 800 mm	
View placement ⊕	General tolerance SS-ISO 2768-1 m	Material	
THIS DRAWING AND INFORMATION CONTAINED HEREIN ARE THE PROPERTY OF GÖTESSONS DESIGN GROUP AB AND SHALL BE RETURNED UPON DEMAND AND SHALL NOT BE REPRODUCED IN WHOLE OR IN PART TO ANYONE ELSE OR USED WITHOUT WRITTEN CONSENT OF GÖTESSONS DESIGN GROUP AB		Rev C	Format A4
		Scale 1:12	Page 1/1

REVISIONS			
REV.	DESCRIPTION	DATE	BY
A	Drawing was made	2019-10-01	Jonathan
B	Updated construction, absorbent inside	2025-03-28	Aarash
C	Anchor brackets added	2026-02-11	Tolle



Floor anchoring bracket



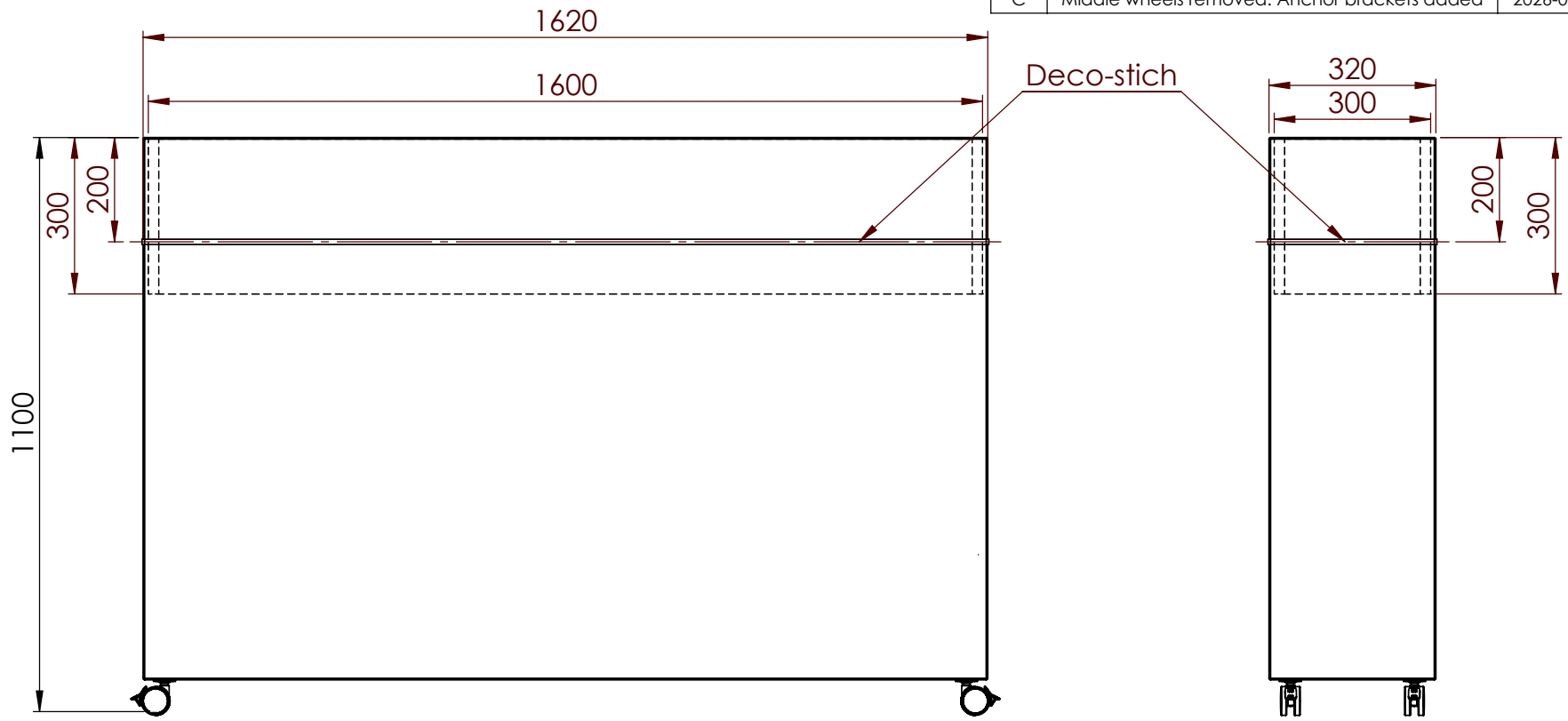
2pcs included

© 2026

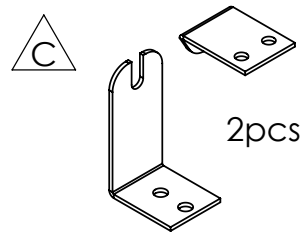
GÖTESSONS

Art.nr. 161080 & 161081		Name Plant divider Small H: 1100 mm	
View placement ⊕	General tolerance SS-ISO 2768-1 m	Material	
THIS DRAWING AND INFORMATION CONTAINED HEREIN ARE THE PROPERTY OF GÖTESSONS DESIGN GROUP AB AND SHALL BE RETURNED UPON DEMAND AND SHALL NOT BE REPRODUCED IN WHOLE OR IN PART TO ANYONE ELSE OR USED WITHOUT WRITTEN CONSENT OF GÖTESSONS DESIGN GROUP AB		Rev C	Format A4
		Scale 1:12	Page 1/1

REVISIONS			
REV.	DESCRIPTION	DATE	BY
A	Created drawing	2022-04-12	Jonathan
B	Updated construction, absorbent inside	2025-03-28	Aarash
C	Middle wheels removed. Anchor brackets added	2026-02-11	Tolle



Floor anchoring bracket



2pcs included

© 2025

GÖTESSONS

Art.nr. 161082 & 161083		Name Plant divider large H: 1100 mm	
View placement ⊕	General tolerance SS-ISO 2768-1 m	Material	
THIS DRAWING AND INFORMATION CONTAINED HEREIN ARE THE PROPERTY OF GÖTESSONS DESIGN GROUP AB AND SHALL BE RETURNED UPON DEMAND AND SHALL NOT BE REPRODUCED IN WHOLE OR IN PART TO ANYONE ELSE OR USED WITHOUT WRITTEN CONSENT OF GÖTESSONS DESIGN GROUP AB		Rev C	Format A4
		Scale 1:12	Page 1/1