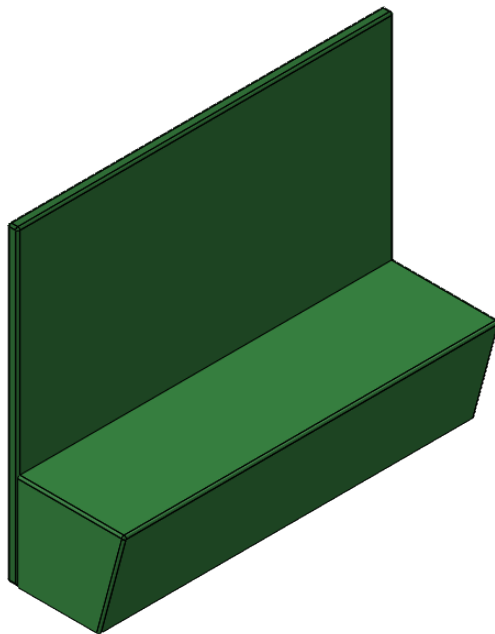
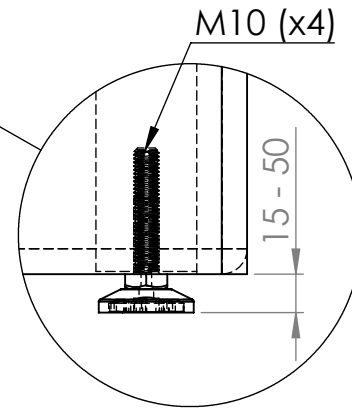
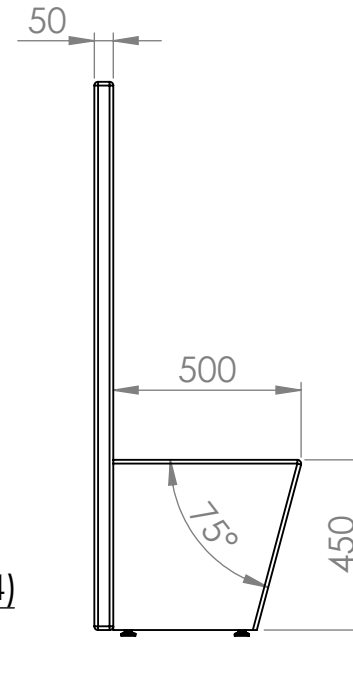
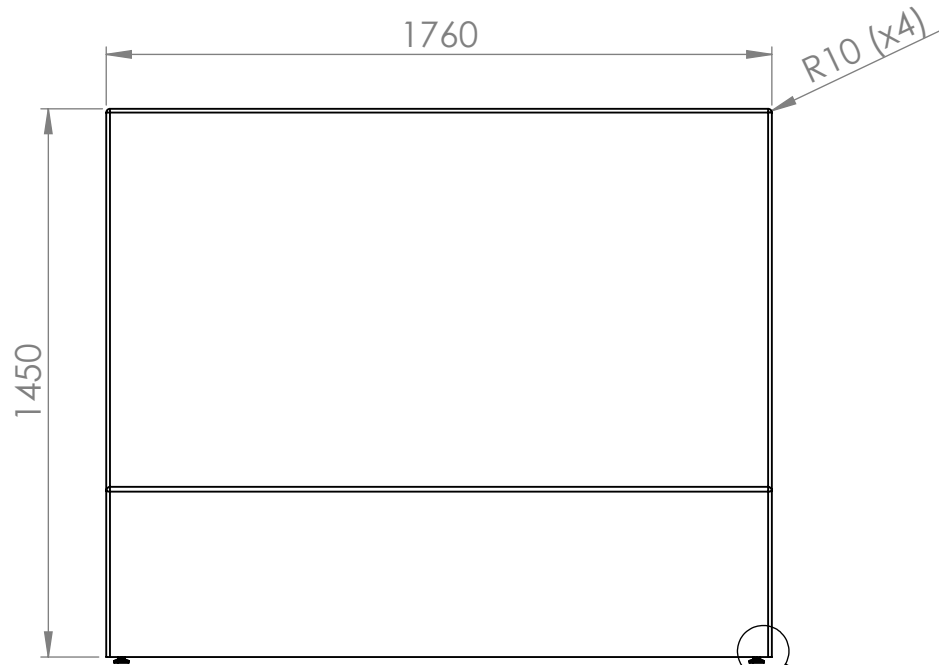
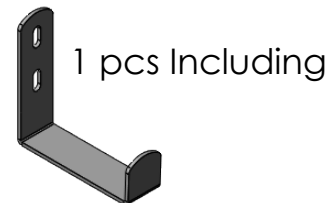
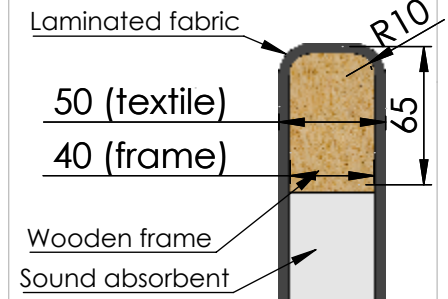


Tolerances (mm)			
Dimension			Deviation
(1)	-	20	±0,2
(20)	-	50	±0,5
(50)	-	200	±1,0
(200)	-		±2,0



**Section view of ScreenIT A40**



Art.nr.		Name		
647110		The Hut Sofa		
Last saved by	Last saved	Material	Rev	Format
Tolle	2018-11-06		-	A4
Created by	Created date	x	Scale	Page
Tolle	2018-11-06		1:20	1/1