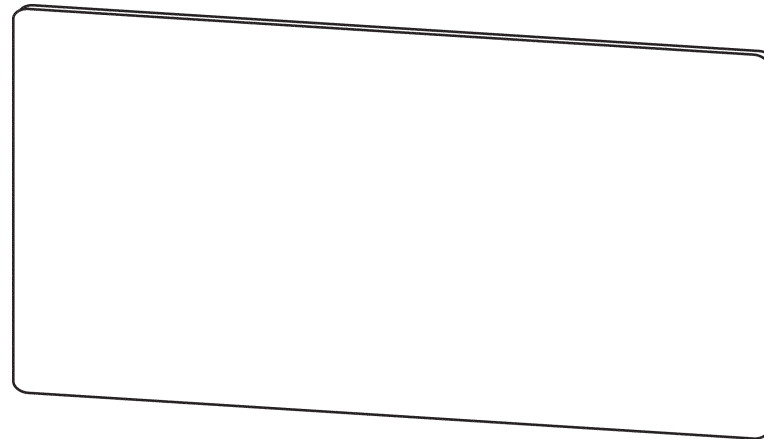


ScreenIT A30 Core

DRAWINGS

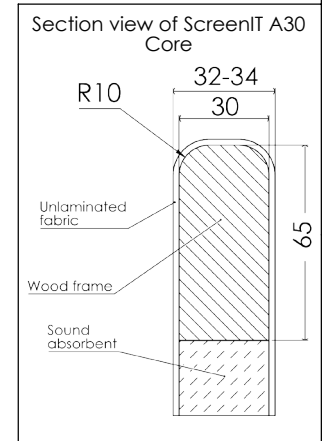
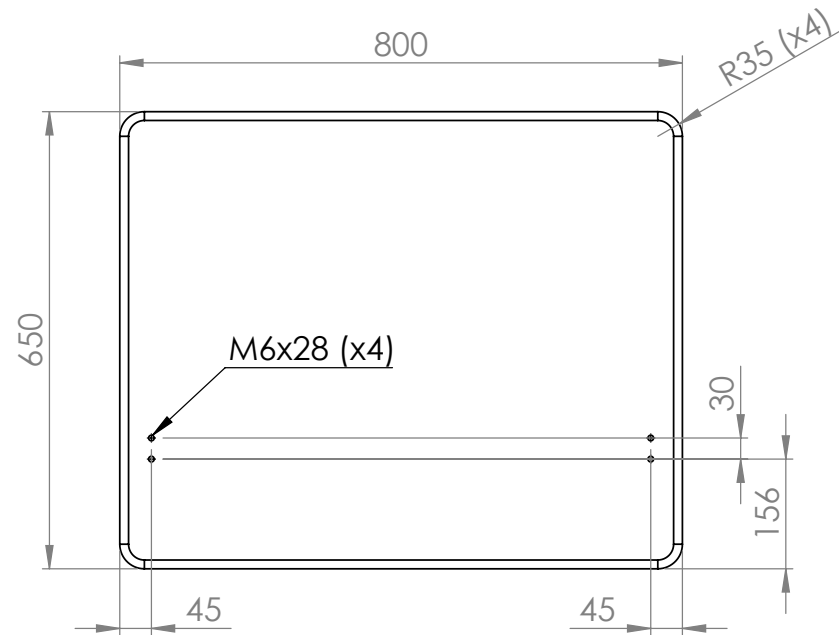


GÖTESSONS INDUSTRI AB

Rönnåsgatan 5B,
523 38 Ulricehamn
Box 56, 523 22 Ulricehamn
Tel +46 (0)321-687700
info@gotessons.se

G Ö T E S S O N S

| REVISIONS | | | |
|-----------|-----------------|------------|-------|
| REV. | DESCRIPTION | DATE | BY |
| A | Created drawing | 2026-03-26 | Tolle |



© 2026

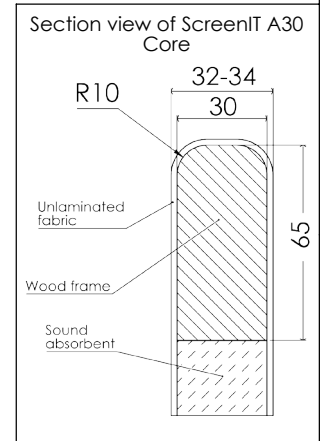
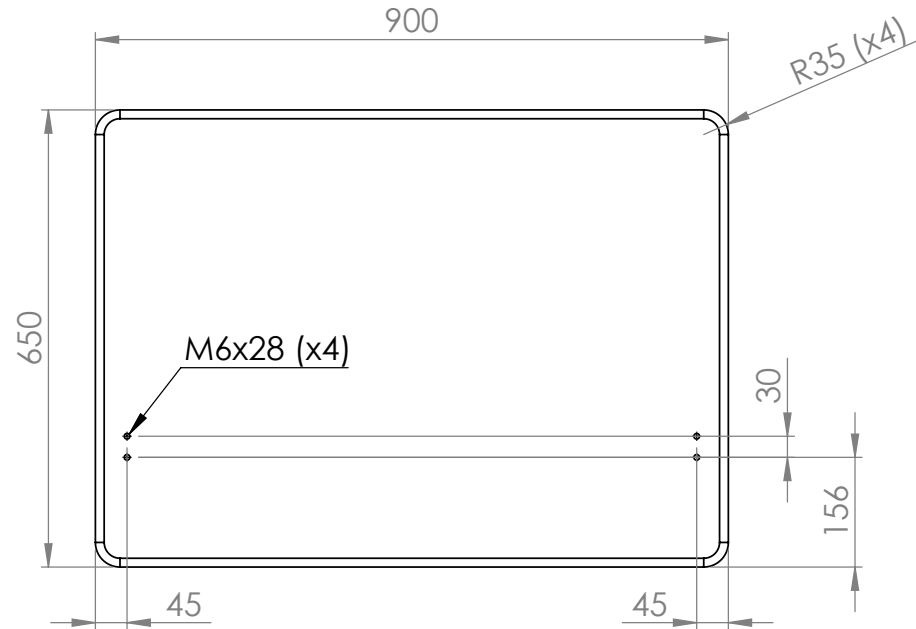
GÖTESSONS

| | |
|-------------------|--------------------------------------|
| Art.nr. 627208 | Name ScreenIT A30 Core 800x650 mm |
|-------------------|--------------------------------------|

| | | | |
|--------------------|------------------------------------|--|---------------|
| View placement | General tolerance SS-ISO 2768-m | THESE MEASUREMENTS REFER TO THE FRAMEWORK AND DO NOT INCLUDE UPHOLSTERY, SEAM OR ZIP | Material X |
|--------------------|------------------------------------|--|---------------|

| | | | | |
|---|----------|--------------|---------------|-------------|
| THIS DRAWING AND INFORMATION CONTAINED HEREIN ARE THE PROPERTY OF GÖTESSONS DESIGN GROUP AB AND SHALL BE RETURNED UPON DEMAND AND SHALL NOT BE REPRODUCED IN WHOLE OR IN PART TO ANYONE ELSE OR USED WITHOUT WRITTEN CONSENT OF GÖTESSONS DESIGN GROUP AB | Rev A | Format A4 | Scale 1:10 | Page 1/1 |
|---|----------|--------------|---------------|-------------|

| REVISIONS | | | |
|-----------|-----------------|------------|-------|
| REV. | DESCRIPTION | DATE | BY |
| A | Created drawing | 2026-03-26 | Tolle |

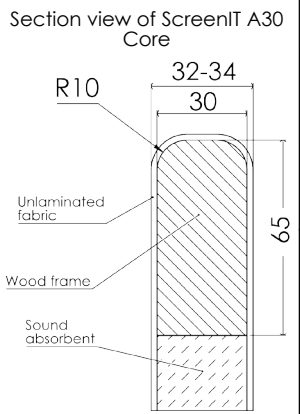
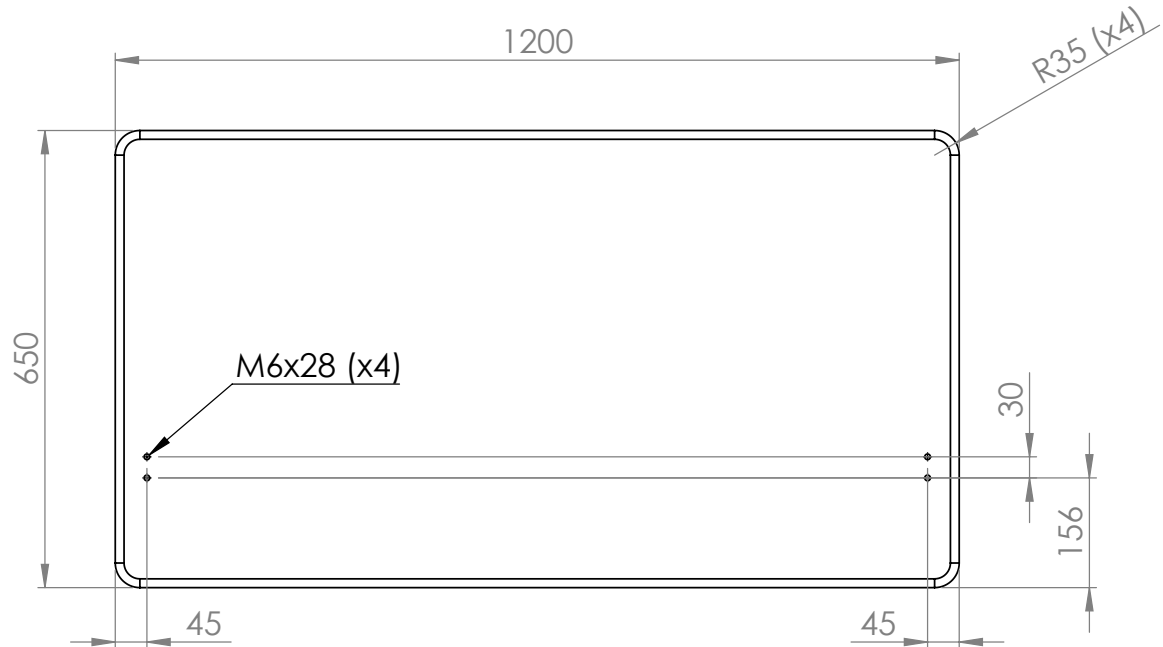


© 2026

GÖTESSONS

| | | | |
|---|---|--|---------------|
| Art.nr. 627209 | | Name ScreenIT A30 Core 900x650 mm | |
| View placement ⊕ | General tolerance SS-ISO 2768-1 m | THESE MEASUREMENTS REFER TO THE FRAMEWORK AND DO NOT INCLUDE UPHOLSTERY, SEAM OR ZIP | Material X |
| THIS DRAWING AND INFORMATION CONTAINED HEREIN ARE THE PROPERTY OF GÖTESSONS DESIGN GROUP AB AND SHALL BE RETURNED UPON DEMAND AND SHALL NOT BE REPRODUCED IN WHOLE OR IN PART TO ANYONE ELSE OR USED WITHOUT WRITTEN CONSENT OF GÖTESSONS DESIGN GROUP AB | | Rev A | Format A4 |
| | | Scale 1:10 | Page 1/1 |

| REVISIONS | | | |
|-----------|-----------------|------------|-------|
| REV. | DESCRIPTION | DATE | BY |
| A | Created drawing | 2026-03-26 | Tolle |

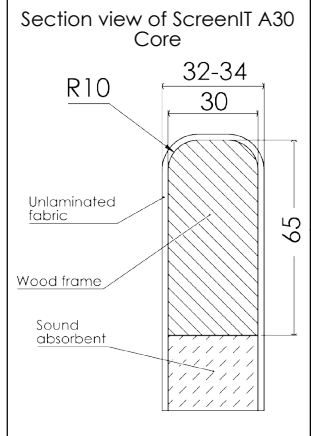
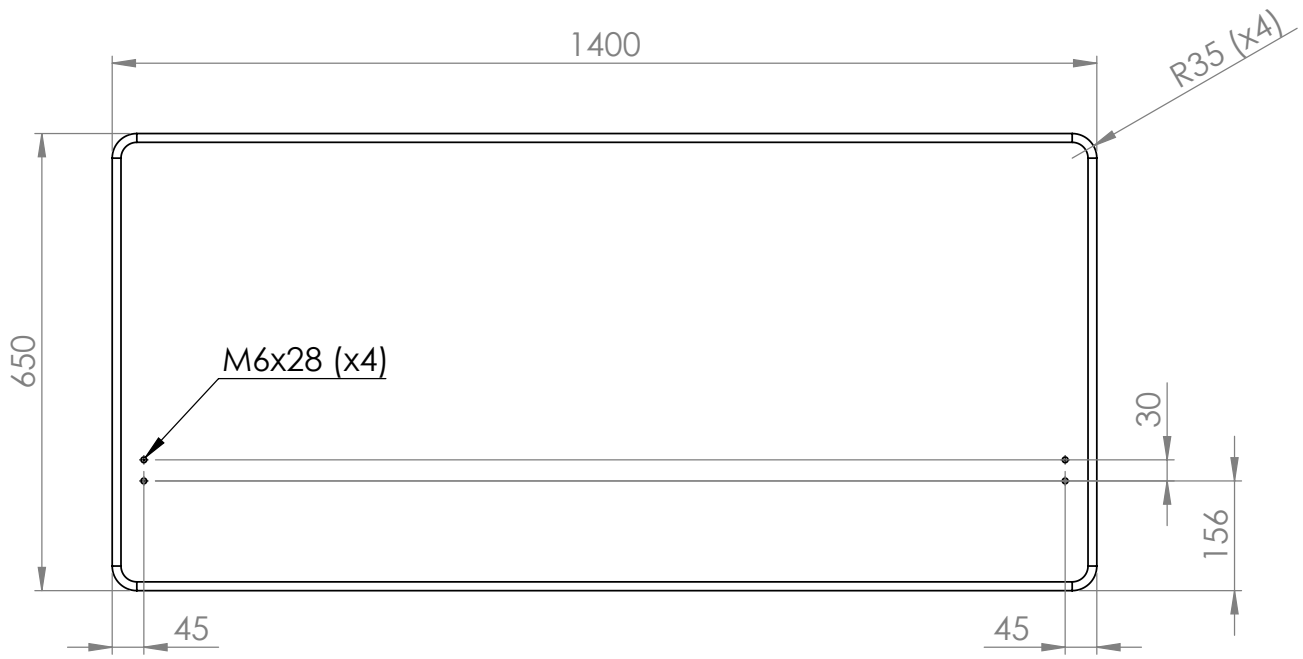


© 2026

GÖTESSONS

| | | | |
|---|---|--|---------------|
| Art.nr. 627212 | | Name ScreenIT A30 Core 1200x650 mm | |
| View placement ☞ ⊕ | General tolerance SS-ISO 2768-1 m | THESE MEASUREMENTS REFER TO THE FRAMEWORK AND DO NOT INCLUDE UPHOLSTERY, SEAM OR ZIP | Material X |
| THIS DRAWING AND INFORMATION CONTAINED HEREIN ARE THE PROPERTY OF GÖTESSONS DESIGN GROUP AB AND SHALL BE RETURNED UPON DEMAND AND SHALL NOT BE REPRODUCED IN WHOLE OR IN PART TO ANYONE ELSE OR USED WITHOUT WRITTEN CONSENT OF GÖTESSONS DESIGN GROUP AB | | Rev A | Format A4 |
| | | Scale 1:10 | Page 1/1 |

| REVISIONS | | | |
|-----------|-----------------|------------|-------|
| REV. | DESCRIPTION | DATE | BY |
| A | Created drawing | 2026-03-26 | Tolle |

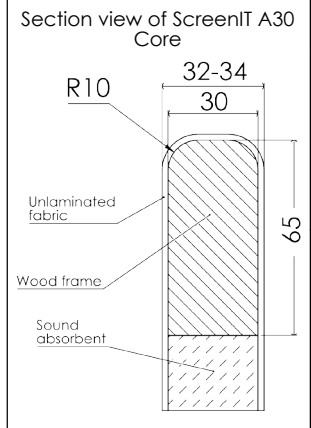
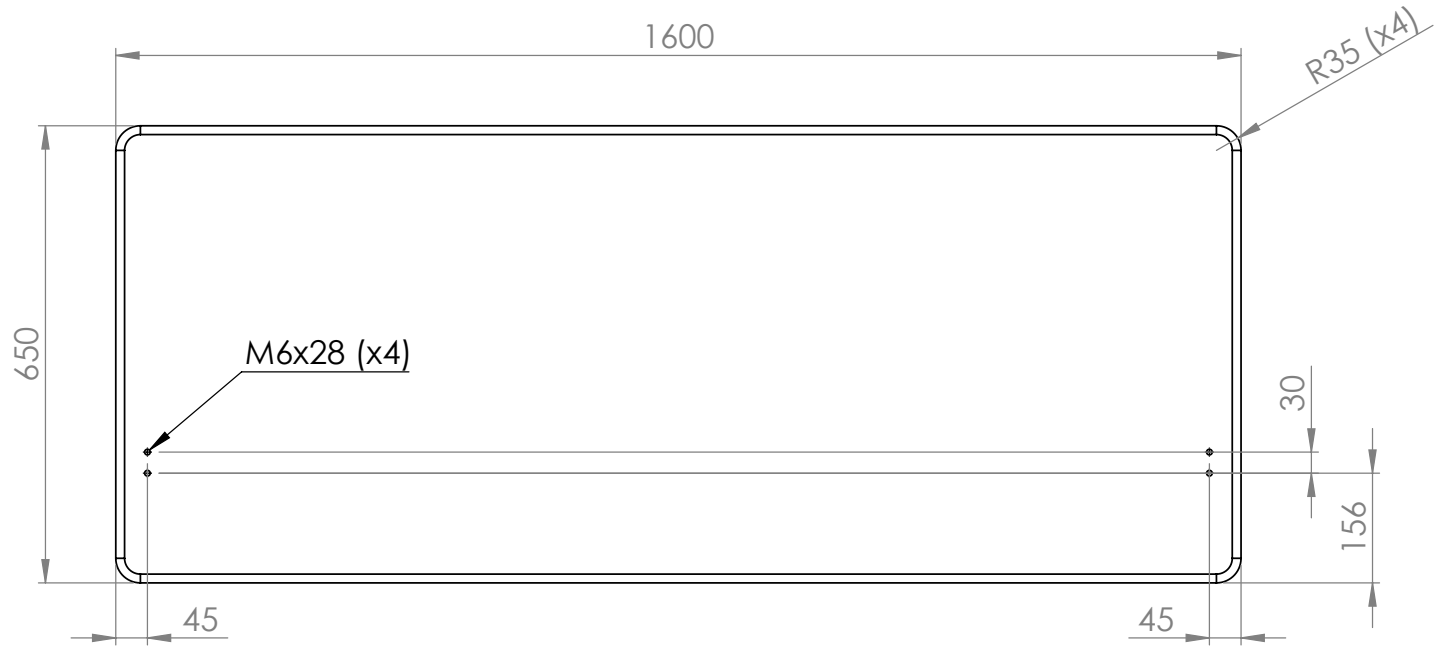


© 2026

GÖTESSONS

| | | | |
|---|---|--|---------------|
| Art.nr. 627214 | | Name ScreenIT A30 Core 1400x650 mm | |
| View placement | General tolerance SS-ISO 2768-1 m | THESE MEASUREMENTS REFER TO THE FRAMEWORK AND DO NOT INCLUDE UPHOLSTERY, SEAM OR ZIP | Material X |
| THIS DRAWING AND INFORMATION CONTAINED HEREIN ARE THE PROPERTY OF GÖTESSONS DESIGN GROUP AB AND SHALL BE RETURNED UPON DEMAND AND SHALL NOT BE REPRODUCED IN WHOLE OR IN PART TO ANYONE ELSE OR USED WITHOUT WRITTEN CONSENT OF GÖTESSONS DESIGN GROUP AB | | Rev A | Format A4 |
| | | Scale 1:10 | Page 1/1 |

| REVISIONS | | | |
|-----------|-----------------|------------|-------|
| REV. | DESCRIPTION | DATE | BY |
| A | Created drawing | 2026-03-26 | Tolle |

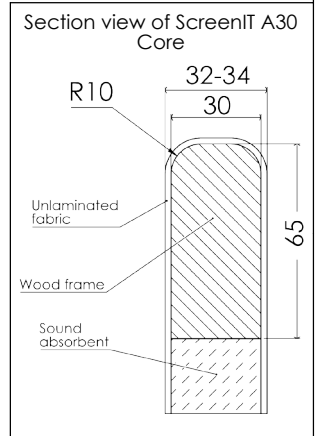
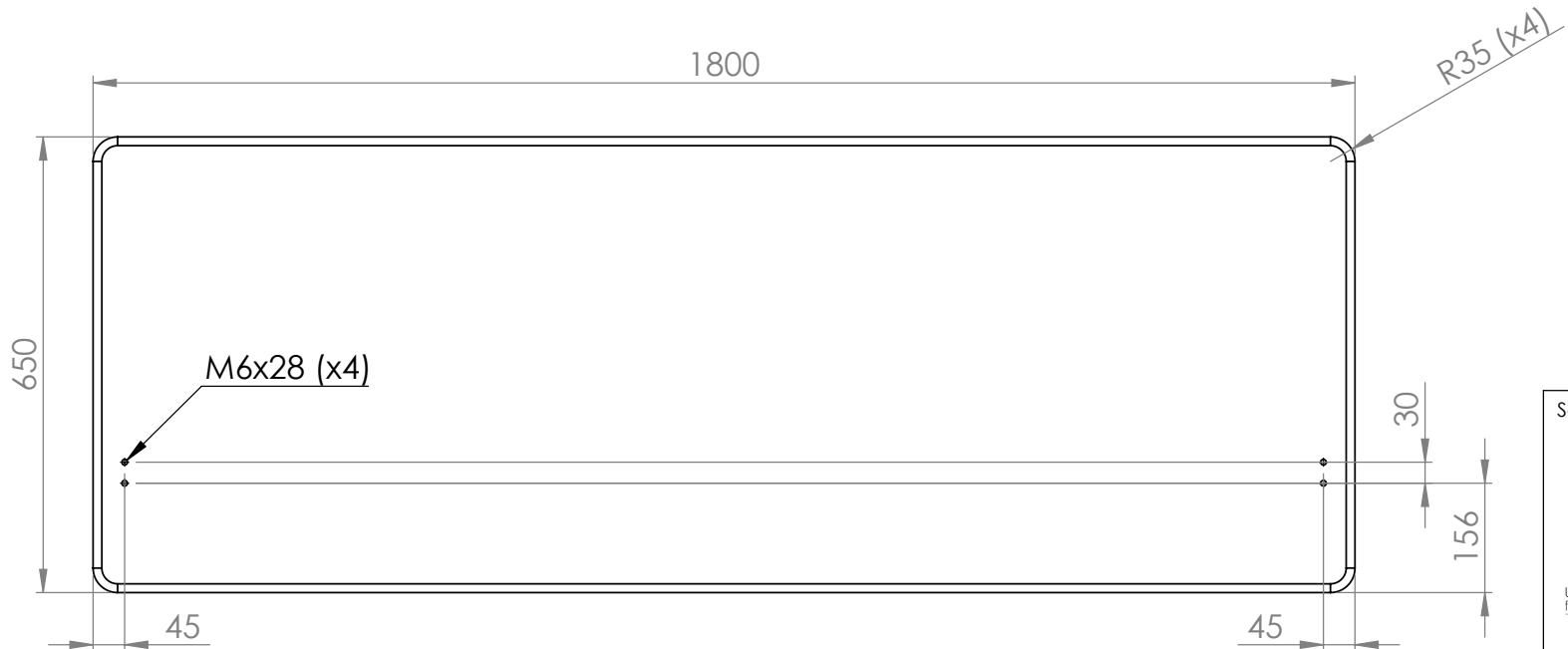


© 2026

GÖTESSONS

| | | | |
|---|---|--|---------------|
| Art.nr. 627216 | | Name ScreenIT A30 Core 1600x650 mm | |
| View placement | General tolerance SS-ISO 2768-1 m | THESE MEASUREMENTS REFER TO THE FRAMEWORK AND DO NOT INCLUDE UPHOLSTERY, SEAM OR ZIP | Material X |
| THIS DRAWING AND INFORMATION CONTAINED HEREIN ARE THE PROPERTY OF GÖTESSONS DESIGN GROUP AB AND SHALL BE RETURNED UPON DEMAND AND SHALL NOT BE REPRODUCED IN WHOLE OR IN PART TO ANYONE ELSE OR USED WITHOUT WRITTEN CONSENT OF GÖTESSONS DESIGN GROUP AB | | Rev A | Format A4 |
| | | Scale 1:10 | Page 1/1 |

| REVISIONS | | | |
|-----------|-----------------|------------|-------|
| REV. | DESCRIPTION | DATE | BY |
| A | Created drawing | 2026-03-26 | Tolle |



© 2026

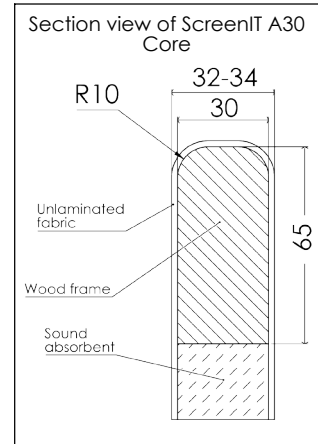
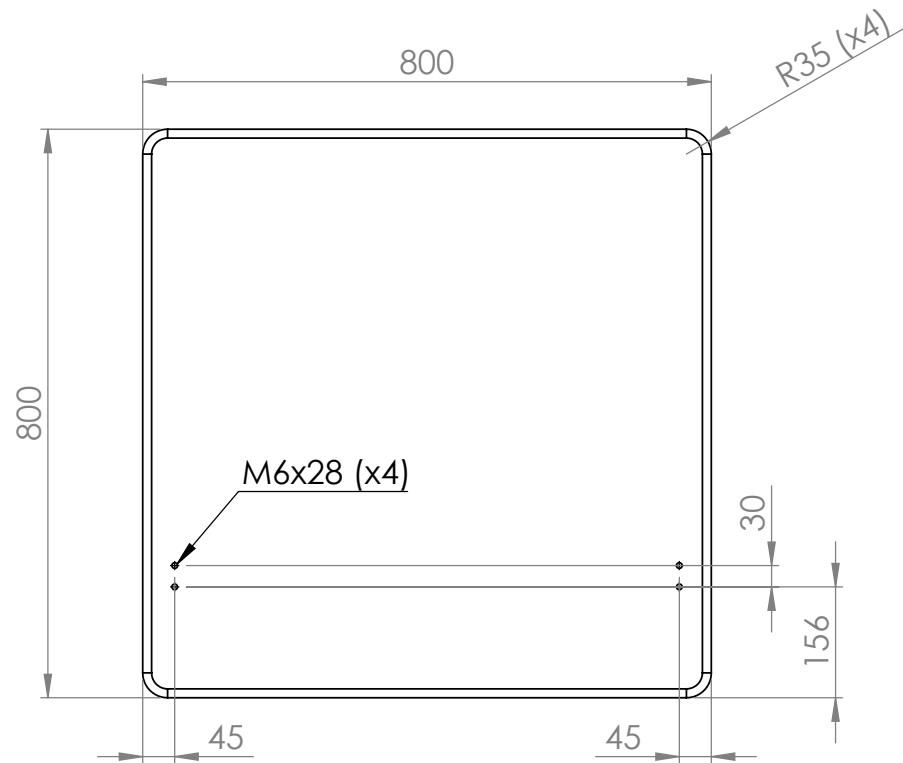
GÖTESSONS

| | |
|-------------------|---------------------------------------|
| Art.nr. 627218 | Name ScreenIT A30 Core 1800x650 mm |
|-------------------|---------------------------------------|

| | | | |
|--------------------|---|--|---------------|
| View placement | General tolerance SS-ISO 2768-1 m | THESE MEASUREMENTS REFER TO THE FRAMEWORK AND DO NOT INCLUDE UPHOLSTERY, SEAM OR ZIP | Material X |
| | | | Rev A |
| | | | Format A4 |
| | | | Scale 1:10 |
| | | | Page 1/1 |

THIS DRAWING AND INFORMATION CONTAINED HEREIN ARE THE PROPERTY OF GÖTESSONS DESIGN GROUP AB AND SHALL BE RETURNED UPON DEMAND AND SHALL NOT BE REPRODUCED IN WHOLE OR IN PART TO ANYONE ELSE OR USED WITHOUT WRITTEN CONSENT OF GÖTESSONS DESIGN GROUP AB

| REVISIONS | | | |
|-----------|-----------------|------------|-------|
| REV. | DESCRIPTION | DATE | BY |
| A | Created drawing | 2026-03-26 | Tolle |



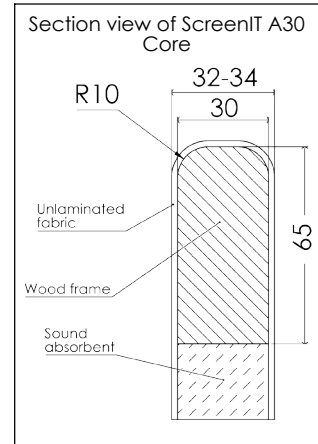
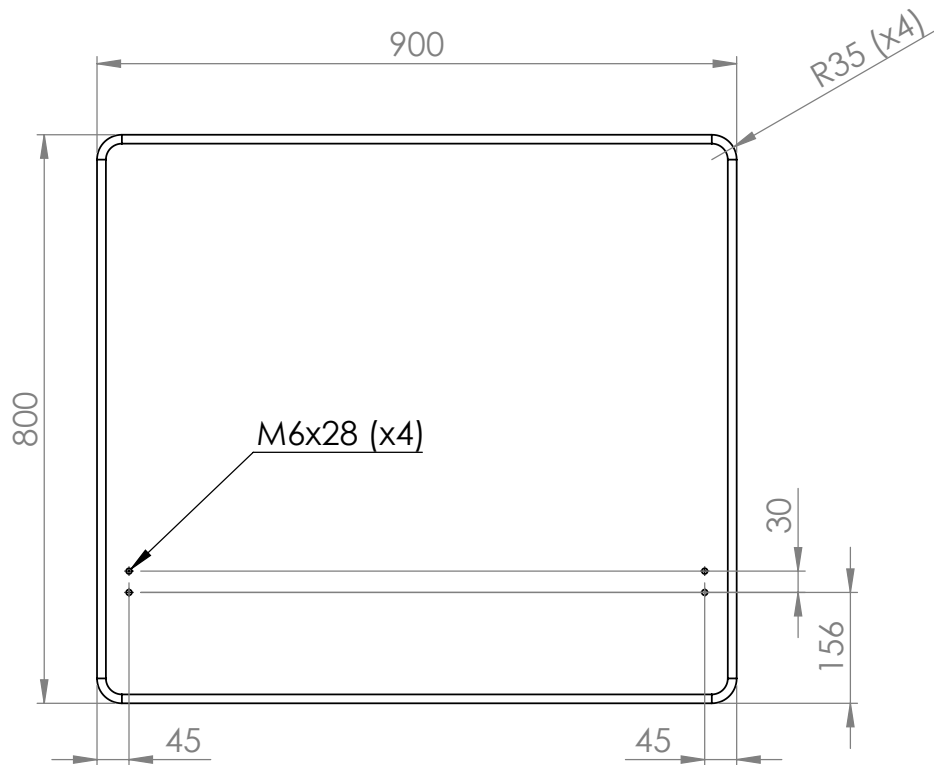
© 2026

GÖTESSONS

| | |
|-------------------|--------------------------------------|
| Art.nr. 667208 | Name ScreenIT A30 Core 800x800 mm |
|-------------------|--------------------------------------|

| | | | | | |
|---|---|--|---------------|---------------|-------------|
| View placement | General tolerance SS-ISO 2768-1 m | THESE MEASUREMENTS REFER TO THE FRAMEWORK AND DO NOT INCLUDE UPHOLSTERY, SEAM OR ZIP | Material X | | |
| THIS DRAWING AND INFORMATION CONTAINED HEREIN ARE THE PROPERTY OF GÖTESSONS DESIGN GROUP AB AND SHALL BE RETURNED UPON DEMAND AND SHALL NOT BE REPRODUCED IN WHOLE OR IN PART TO ANYONE ELSE OR USED WITHOUT WRITTEN CONSENT OF GÖTESSONS DESIGN GROUP AB | | Rev A | Format A4 | Scale 1:10 | Page 1/1 |

| REVISIONS | | | |
|-----------|-----------------|------------|-------|
| REV. | DESCRIPTION | DATE | BY |
| A | Created drawing | 2026-03-26 | Tolle |



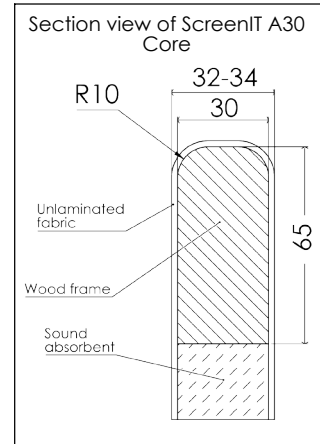
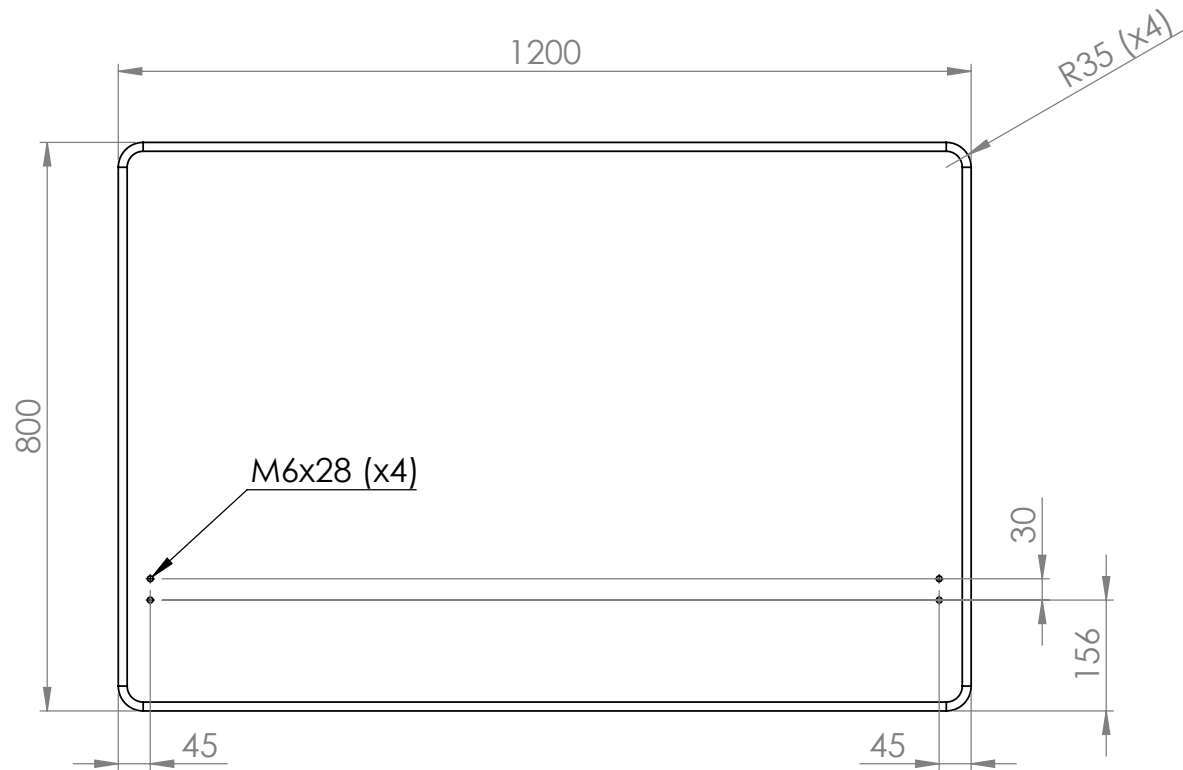
© 2026

GÖTESSONS

| | |
|-------------------|--------------------------------------|
| Art.nr. 667209 | Name ScreenIT A30 Core 900x800 mm |
|-------------------|--------------------------------------|

| | | | |
|---|---|--|---------------|
| View placement | General tolerance SS-ISO 2768-1 m | THESE MEASUREMENTS REFER TO THE FRAMEWORK AND DO NOT INCLUDE UPHOLSTERY, SEAM OR ZIP | Material X |
| THIS DRAWING AND INFORMATION CONTAINED HEREIN ARE THE PROPERTY OF GÖTESSONS DESIGN GROUP AB AND SHALL BE RETURNED UPON DEMAND AND SHALL NOT BE REPRODUCED IN WHOLE OR IN PART TO ANYONE ELSE OR USED WITHOUT WRITTEN CONSENT OF GÖTESSONS DESIGN GROUP AB | | Rev A | Format A4 |
| | | Scale 1:10 | Page 1/1 |

| REVISIONS | | | |
|-----------|-----------------|------------|-------|
| REV. | DESCRIPTION | DATE | BY |
| A | Created drawing | 2026-03-26 | Tolle |



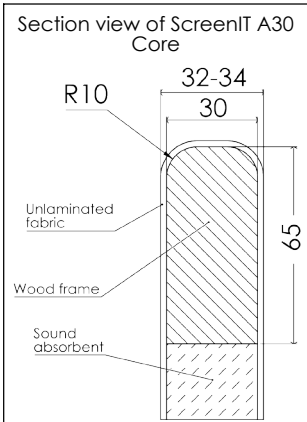
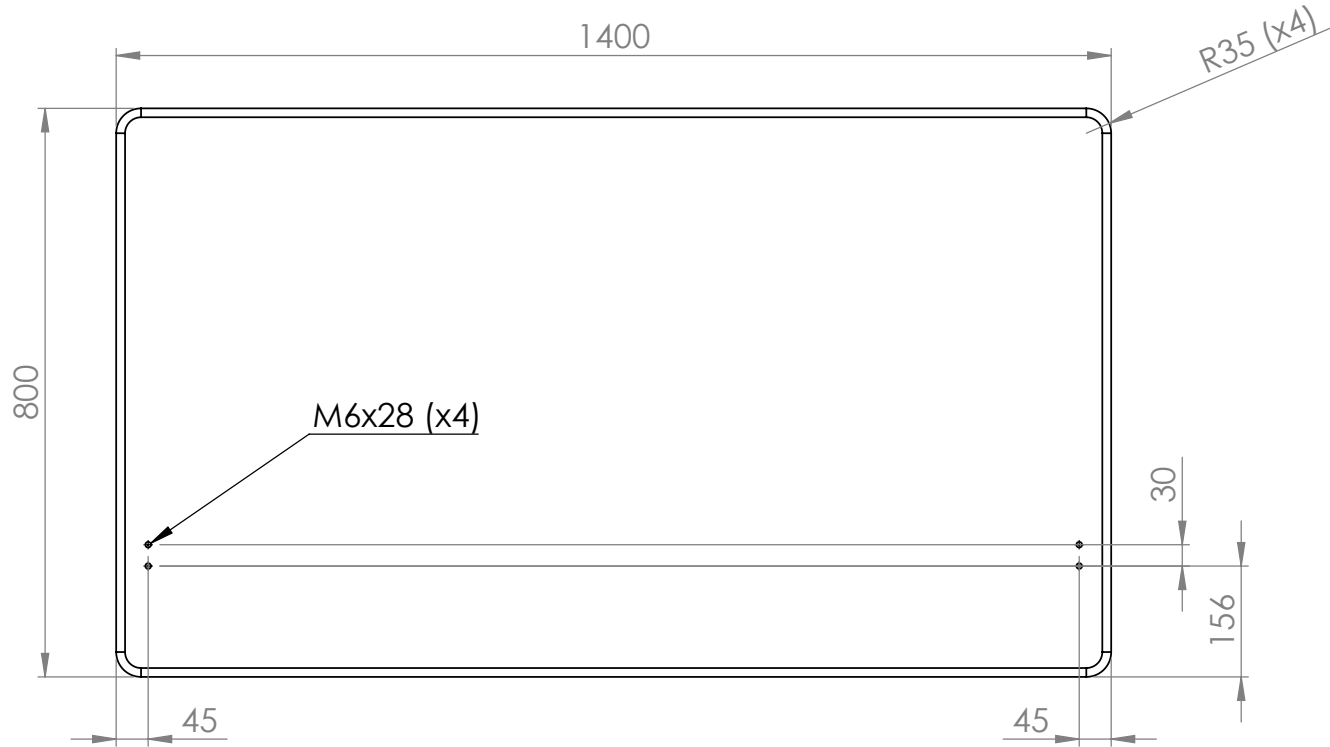
© 2026

GÖTESSONS

| | |
|-------------------|---------------------------------------|
| Art.nr. 667212 | Name ScreenIT A30 Core 1200x800 mm |
|-------------------|---------------------------------------|

| | | | |
|---|---|--|---------------|
| View placement | General tolerance SS-ISO 2768-1 m | THESE MEASUREMENTS REFER TO THE FRAMEWORK AND DO NOT INCLUDE UPHOLSTERY, SEAM OR ZIP | Material X |
| THIS DRAWING AND INFORMATION CONTAINED HEREIN ARE THE PROPERTY OF GÖTESSONS DESIGN GROUP AB AND SHALL BE RETURNED UPON DEMAND AND SHALL NOT BE REPRODUCED IN WHOLE OR IN PART TO ANYONE ELSE OR USED WITHOUT WRITTEN CONSENT OF GÖTESSONS DESIGN GROUP AB | | Rev A | Format A4 |
| | | Scale 1:10 | Page 1/1 |

| REVISIONS | | | |
|-----------|-----------------|------------|-------|
| REV. | DESCRIPTION | DATE | BY |
| A | Created drawing | 2026-03-26 | Tolle |



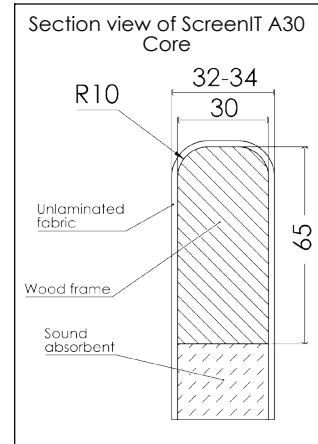
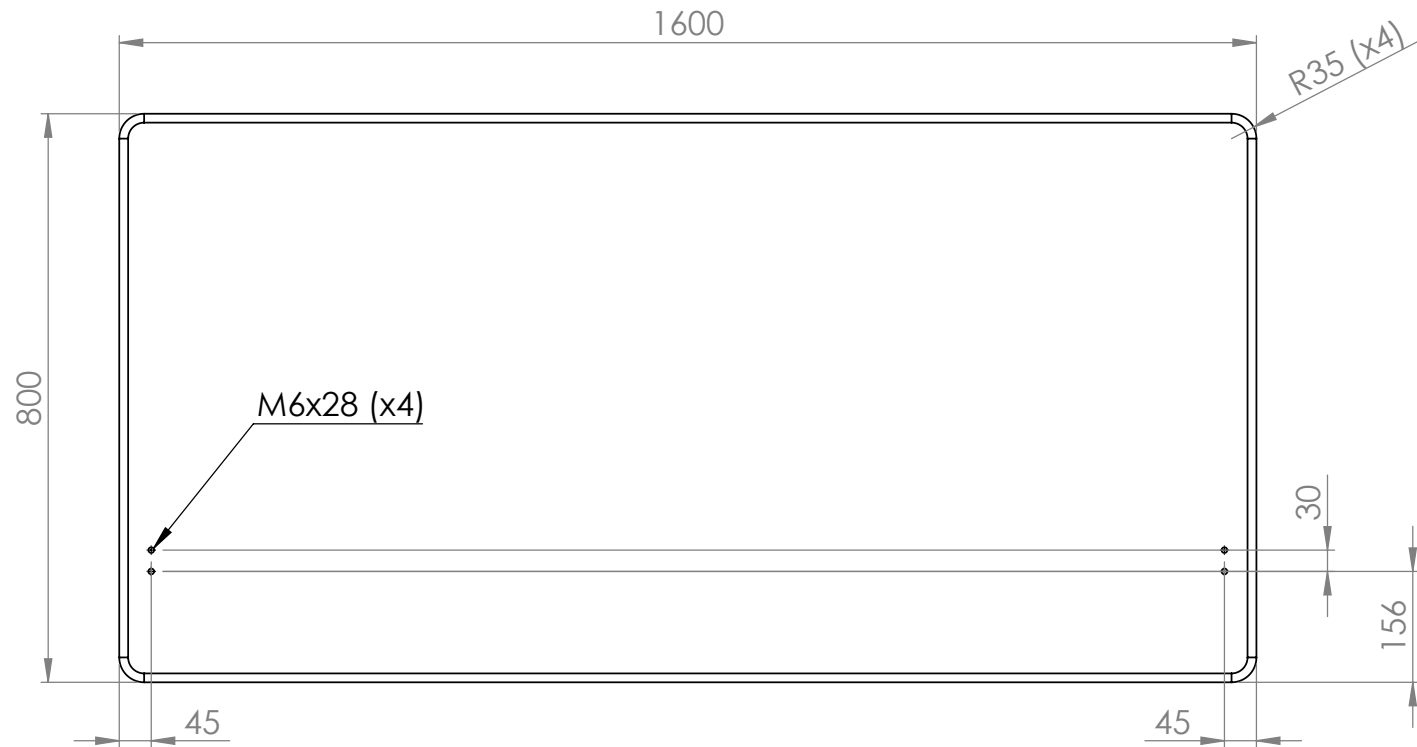
© 2026

GÖTESSONS

| | |
|-------------------|---------------------------------------|
| Art.nr. 667214 | Name ScreenIT A30 Core 1400x800 mm |
|-------------------|---------------------------------------|

| | | | | | |
|---|---|--|---------------|---------------|-------------|
| View placement | General tolerance SS-ISO 2768-1 m | THESE MEASUREMENTS REFER TO THE FRAMEWORK AND DO NOT INCLUDE UPHOLSTERY, SEAM OR ZIP | Material X | | |
| THIS DRAWING AND INFORMATION CONTAINED HEREIN ARE THE PROPERTY OF GÖTESSONS DESIGN GROUP AB AND SHALL BE RETURNED UPON DEMAND AND SHALL NOT BE REPRODUCED IN WHOLE OR IN PART TO ANYONE ELSE OR USED WITHOUT WRITTEN CONSENT OF GÖTESSONS DESIGN GROUP AB | | Rev A | Format A4 | Scale 1:10 | Page 1/1 |

| REVISIONS | | | |
|-----------|-----------------|------------|-------|
| REV. | DESCRIPTION | DATE | BY |
| A | Created drawing | 2026-03-26 | Tolle |



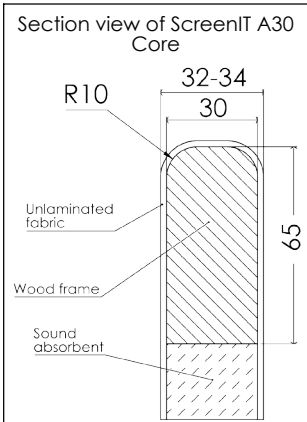
© 2026

GÖTESSONS

| | |
|-------------------|---------------------------------------|
| Art.nr. 667216 | Name ScreenIT A30 Core 1600x800 mm |
|-------------------|---------------------------------------|

| | | | |
|---|---|--|---------------|
| View placement | General tolerance SS-ISO 2768-1 m | THESE MEASUREMENTS REFER TO THE FRAMEWORK AND DO NOT INCLUDE UPHOLSTERY, SEAM OR ZIP | Material X |
| THIS DRAWING AND INFORMATION CONTAINED HEREIN ARE THE PROPERTY OF GÖTESSONS DESIGN GROUP AB AND SHALL BE RETURNED UPON DEMAND AND SHALL NOT BE REPRODUCED IN WHOLE OR IN PART TO ANYONE ELSE OR USED WITHOUT WRITTEN CONSENT OF GÖTESSONS DESIGN GROUP AB | | Rev A | Format A4 |
| | | Scale 1:10 | Page 1/1 |

| REVISIONS | | | |
|-----------|-----------------|------------|-------|
| REV. | DESCRIPTION | DATE | BY |
| A | Created drawing | 2026-03-26 | Tolle |



© 2026

GÖTESSONS

| | |
|-------------------|---------------------------------------|
| Art.nr. 667218 | Name ScreenIT A30 Core 1800x800 mm |
|-------------------|---------------------------------------|

| | | | |
|---|---|--|---------------|
| View placement | General tolerance SS-ISO 2768-1 m | THESE MEASUREMENTS REFER TO THE FRAMEWORK AND DO NOT INCLUDE UPHOLSTERY, SEAM OR ZIP | Material X |
| THIS DRAWING AND INFORMATION CONTAINED HEREIN ARE THE PROPERTY OF GÖTESSONS DESIGN GROUP AB AND SHALL BE RETURNED UPON DEMAND AND SHALL NOT BE REPRODUCED IN WHOLE OR IN PART TO ANYONE ELSE OR USED WITHOUT WRITTEN CONSENT OF GÖTESSONS DESIGN GROUP AB | | Rev A | Format A4 |
| | | Scale 1:10 | Page 1/1 |