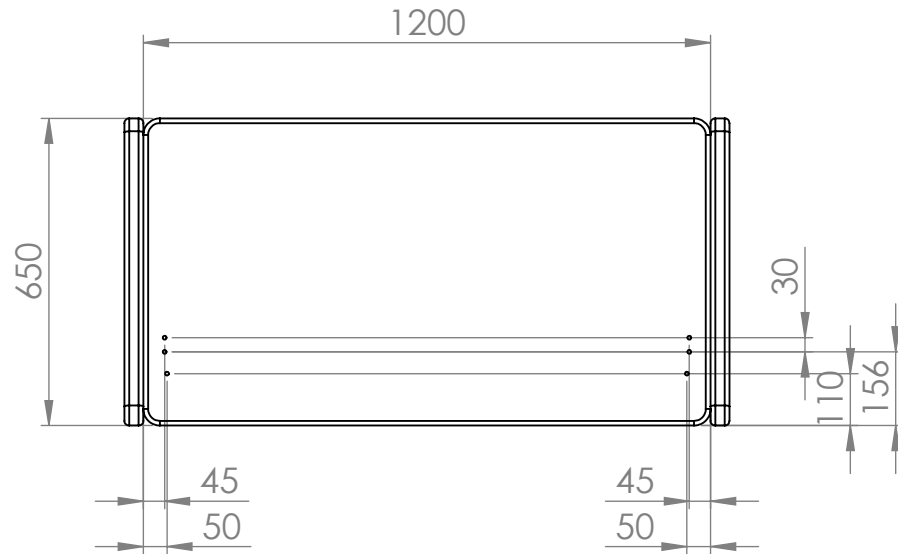
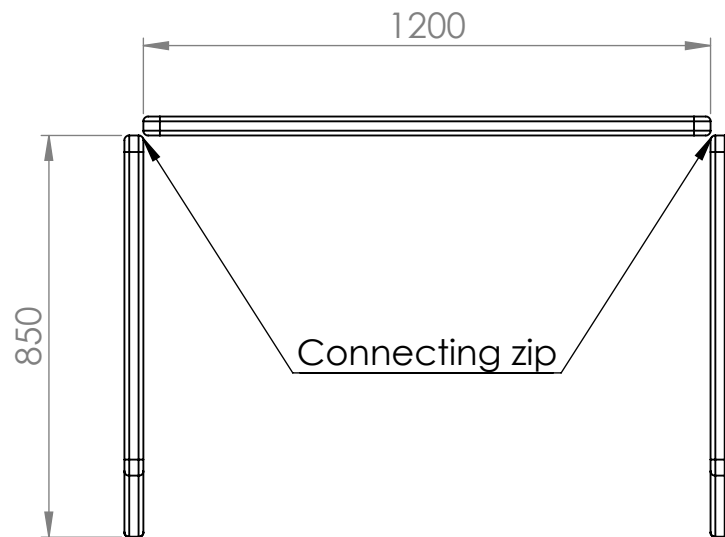
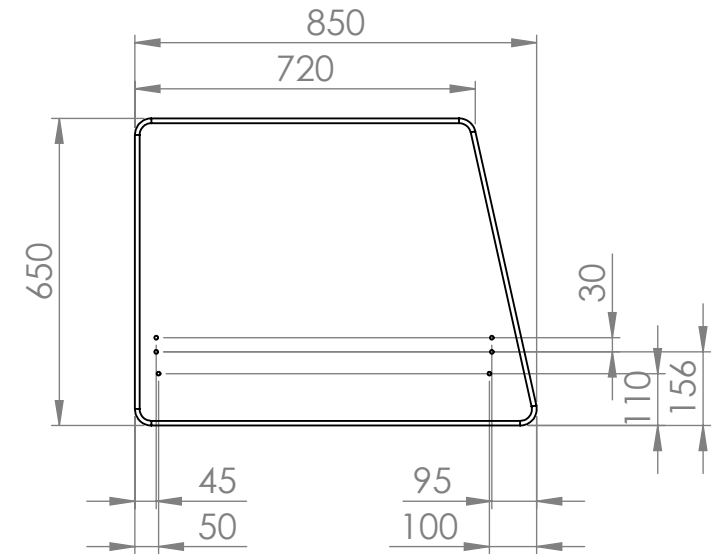


These measurements refer to the frame work and do not include upholstery, seam or zip

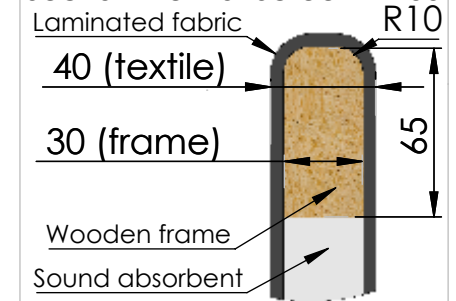
Tolerances (mm)			
Dimension			Deviation
(1)	-	20	±0,2
(20)	-	50	±0,5
(50)	-	200	±1,0
(200)	-		±2,0



Side screen (left + right)



Section view of ScreenIT A30



Art.nr.	108120	Name	ScreenIT A30 Desk booth Peak 1200x650	
Last saved by	Angelica	Last saved	2019-10-03	Material
Created by	Angelica	Created date	2019-10-02	Rev
				-
			Scale	Page
			1:16	A4 1/1