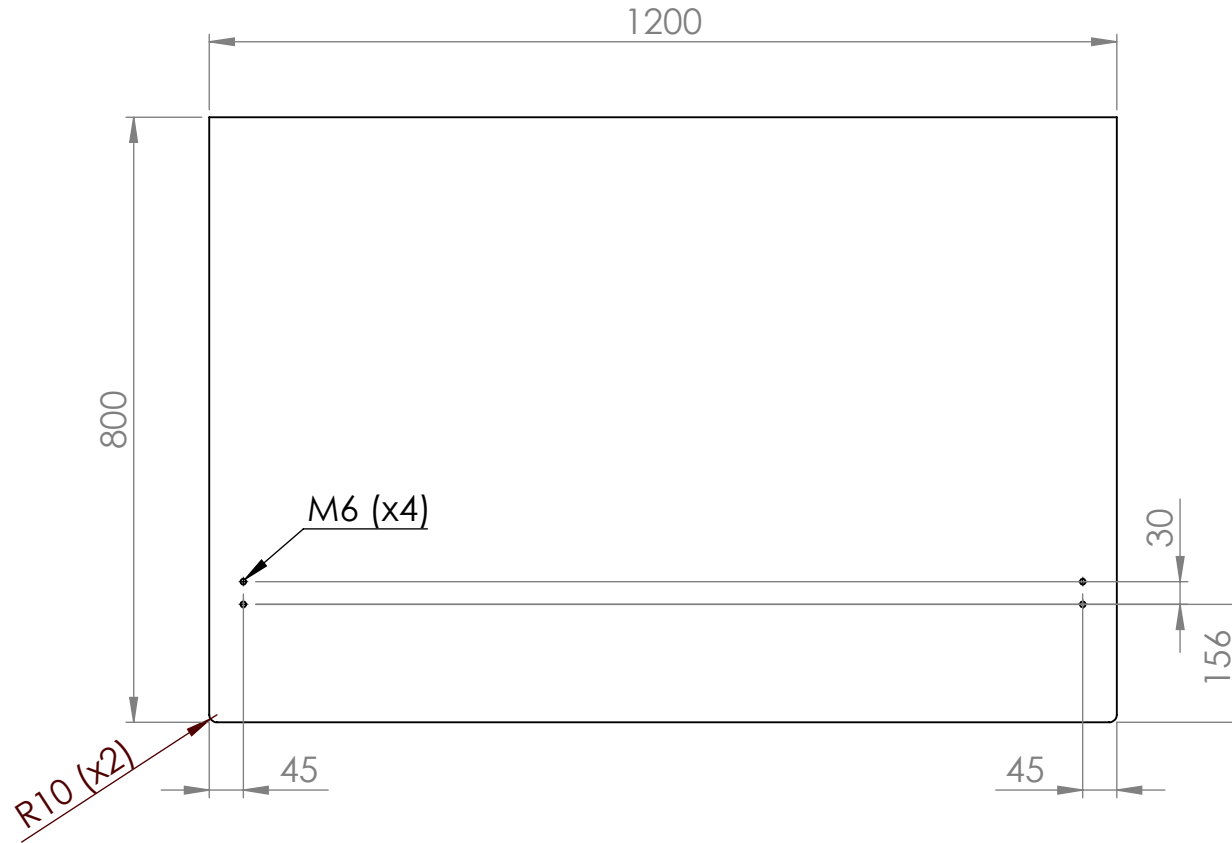
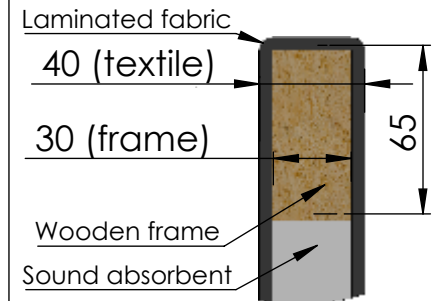


These measurements refer to the frame work and do not include upholstery, seam or zip

Tolerances (mm)			
Dimension			Deviation
(1)	-	20	±0,2
(20)	-	50	±0,5
(50)	-	200	±1,0
(200)	-		±2,0



Section view of ScreenIT A30



GÖTESSONS

Art.nr. 564120 Name ScreenIT A30 1200x800
Straight corner

Last saved by Aarash	Last saved 2024-02-21	Material X	Rev -	Format A4
Created by Aarash	Created date 2024-02-21		Scale 1:10	Page 1/1