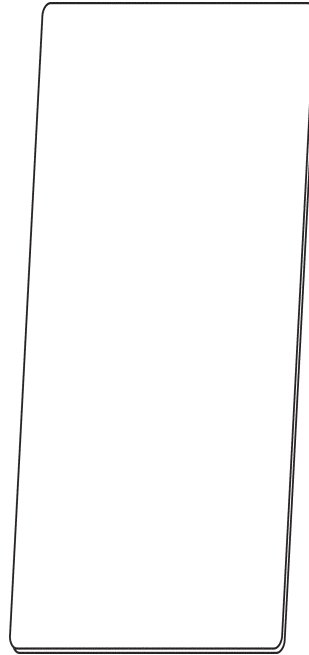
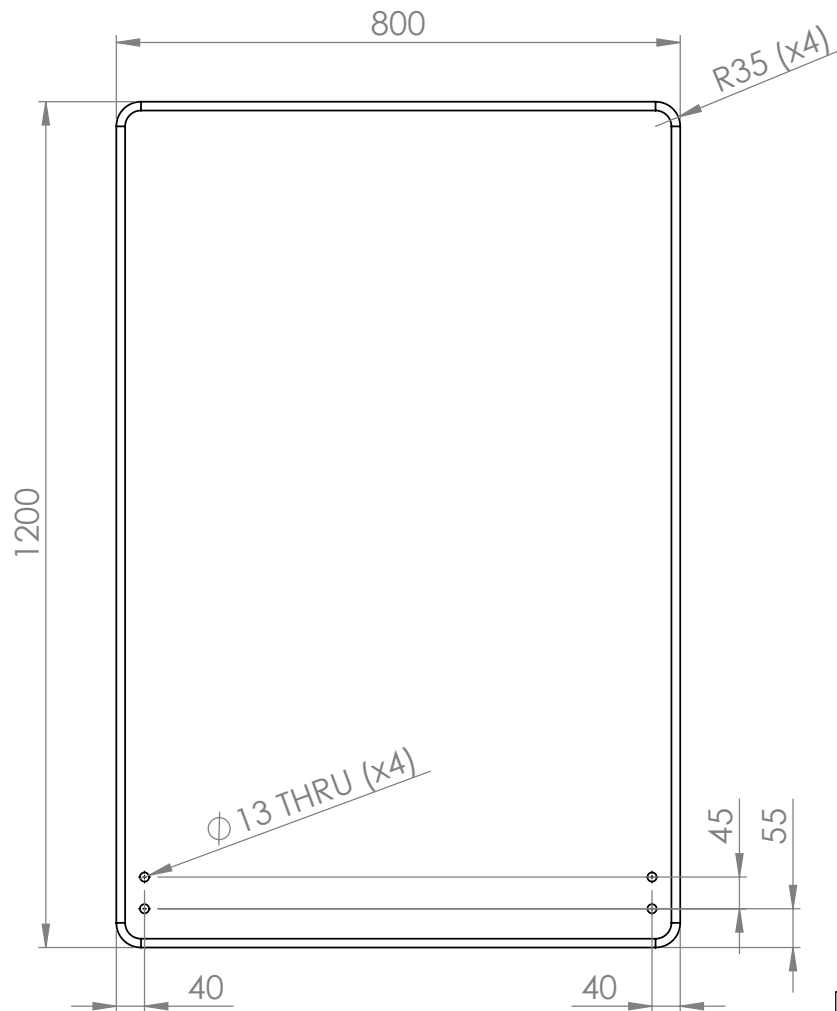


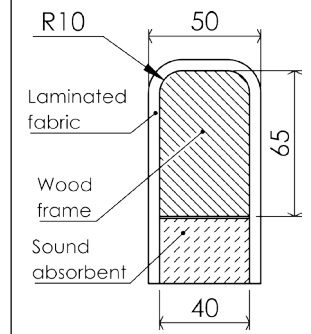
ScreenIT A40+ Floor Screen DRAWINGS



REVISIONS			
REV.	DESCRIPTION	DATE	BY
A	Created drawing, filling 2500g/m ² (A-classed)	2026-02-20	Tolle



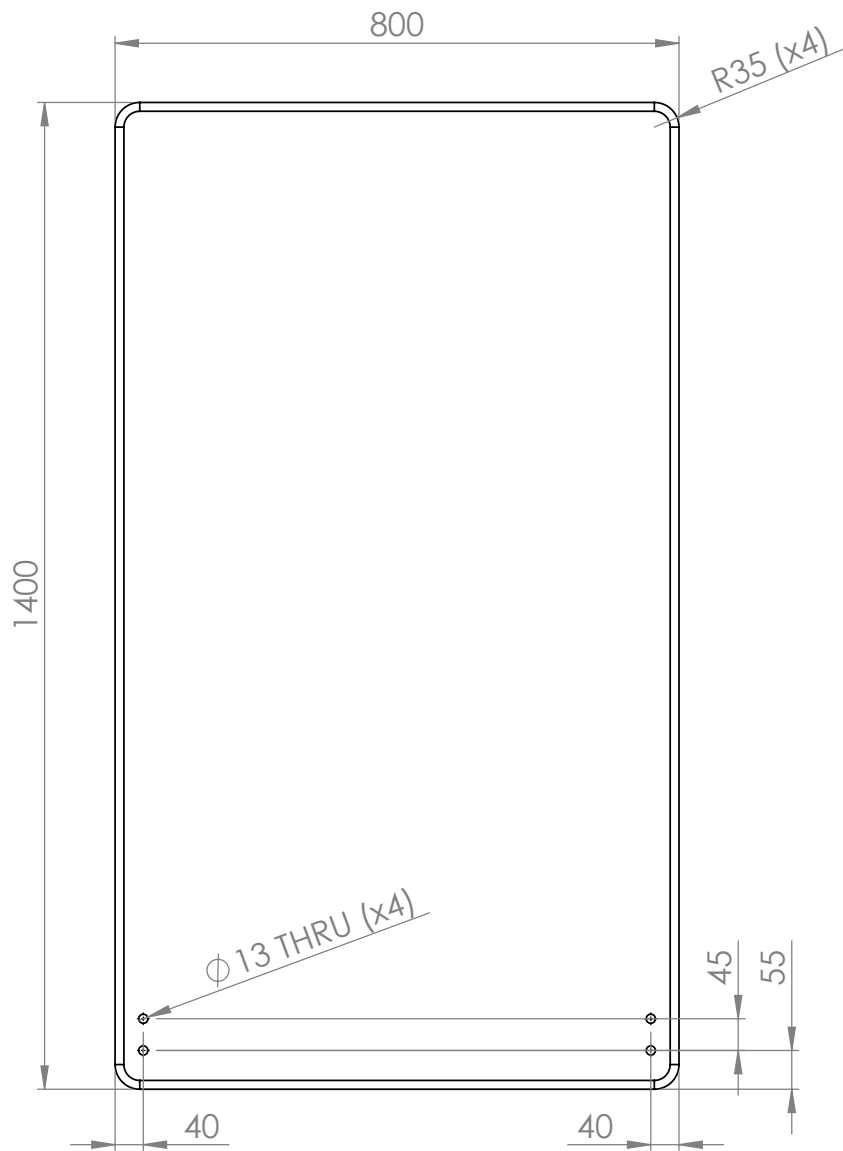
Section view of ScreenIT A40



© 2026

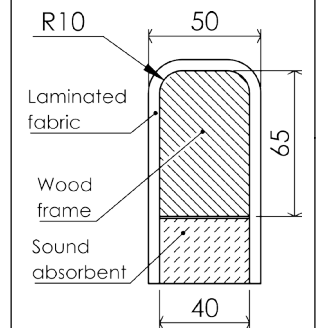
GÖTESSONS

Art.nr. 437120		Name ScreenIT A40+ Floorscreen 800x1200 mm	
View placement 	General tolerance SS-ISO 2768-1 m	THESE MEASUREMENTS REFER TO THE FRAMEWORK AND DO NOT INCLUDE UPHOLSTERY, SEAM OR ZIP	Material X
THIS DRAWING AND INFORMATION CONTAINED HEREIN ARE THE PROPERTY OF GÖTESSONS DESIGN GROUP AB AND SHALL BE RETURNED UPON DEMAND AND SHALL NOT BE REPRODUCED IN WHOLE OR IN PART TO ANYONE ELSE OR USED WITHOUT WRITTEN CONSENT OF GÖTESSONS DESIGN GROUP AB		Rev A	Format A4
		Scale 1:10	Page 1/1



REVISIONS			
REV.	DESCRIPTION	DATE	BY
A	Created drawing, filling 2500g/m ² (A-classed)	2026-02-20	Tolle

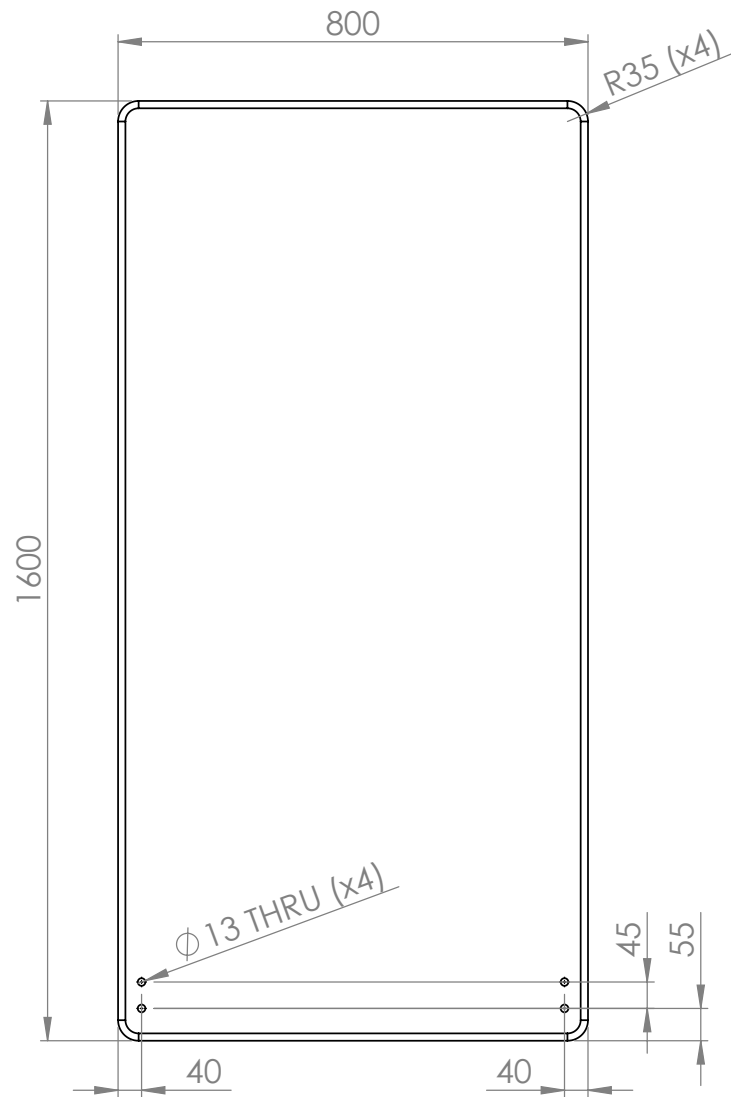
Section view of ScreenIT A40



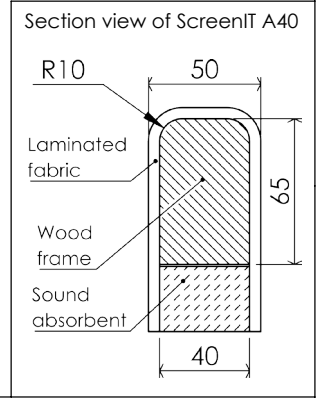
© 2026

GÖTESSONS

Art.nr. 437140		Name ScreenIT A40+ Floorscreen 800x1400 mm			
View placement 	General tolerance SS-ISO 2768-1 m	THESE MEASUREMENTS REFER TO THE FRAMEWORK AND DO NOT INCLUDE UPHOLSTERY, SEAM OR ZIP	Material X		
THIS DRAWING AND INFORMATION CONTAINED HEREIN ARE THE PROPERTY OF GÖTESSONS DESIGN GROUP AB AND SHALL BE RETURNED UPON DEMAND AND SHALL NOT BE REPRODUCED IN WHOLE OR IN PART TO ANYONE ELSE OR USED WITHOUT WRITTEN CONSENT OF GÖTESSONS DESIGN GROUP AB		Rev A	Format A4	Scale 1:10	Page 1/1



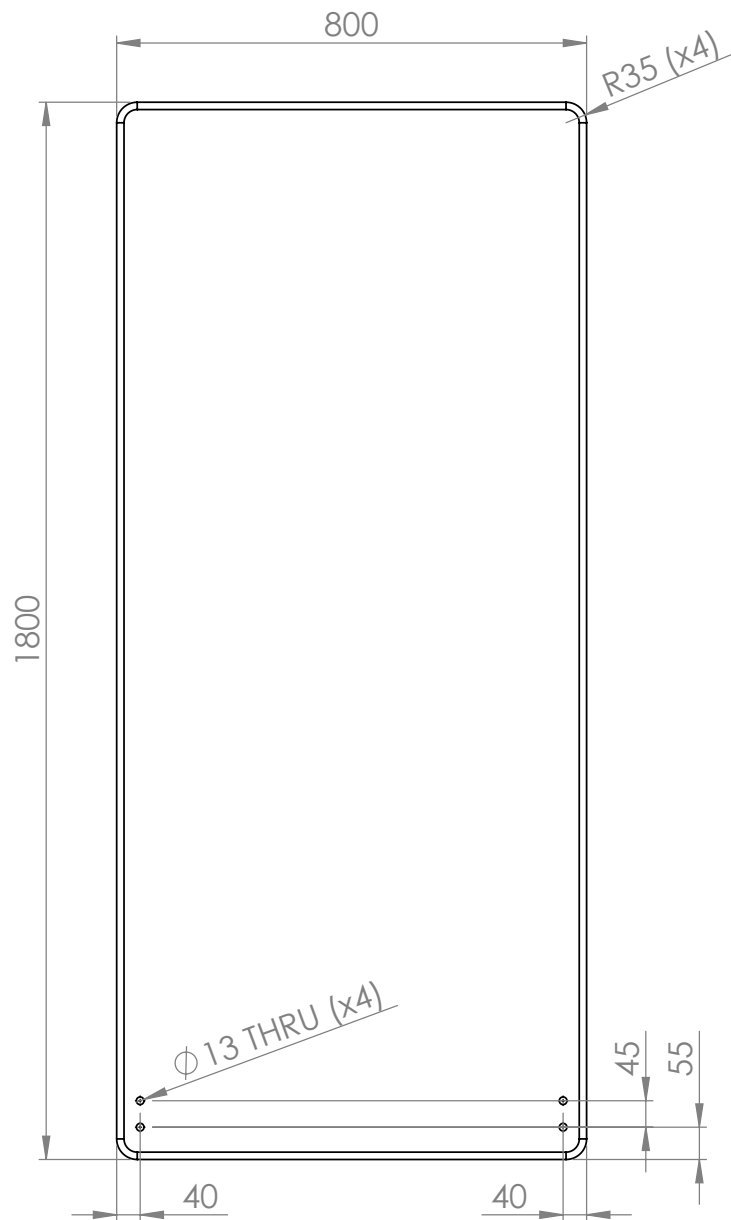
REVISIONS			
REV.	DESCRIPTION	DATE	BY
A	Created drawing, filling 2500g/m ² (A-classed)	2026-02-20	Tolle



© 2026

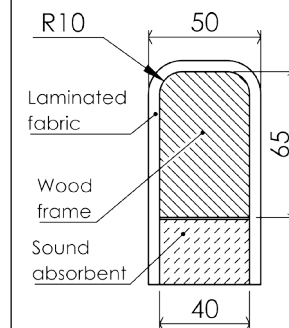
GÖTESSONS

Art.nr. 437160		Name ScreenIT A40+ Floorscreen 800x1600 mm			
View placement 	General tolerance SS-ISO 2768-1 m	THESE MEASUREMENTS REFER TO THE FRAMEWORK AND DO NOT INCLUDE UPHOLSTERY, SEAM OR ZIP	Material X		
THIS DRAWING AND INFORMATION CONTAINED HEREIN ARE THE PROPERTY OF GÖTESSONS DESIGN GROUP AB AND SHALL BE RETURNED UPON DEMAND AND SHALL NOT BE REPRODUCED IN WHOLE OR IN PART TO ANYONE ELSE OR USED WITHOUT WRITTEN CONSENT OF GÖTESSONS DESIGN GROUP AB		Rev A	Format A4	Scale 1:12	Page 1/1



REVISIONS			
REV.	DESCRIPTION	DATE	BY
A	Created drawing, filling 2500g/m ² (A-classed)	2026-02-20	Tolle

Section view of ScreenIT A40

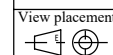


© 2026

GÖTESSONS

Art.nr.
437180

Name
ScreenIT A40+ Floorscreen
800x1800 mm



General tolerance
SS-ISO 2768-1
m

THESE MEASUREMENTS
REFER TO THE FRAMEWORK
AND DO NOT INCLUDE
UPHOLSTERY, SEAM OR ZIP

Material
X

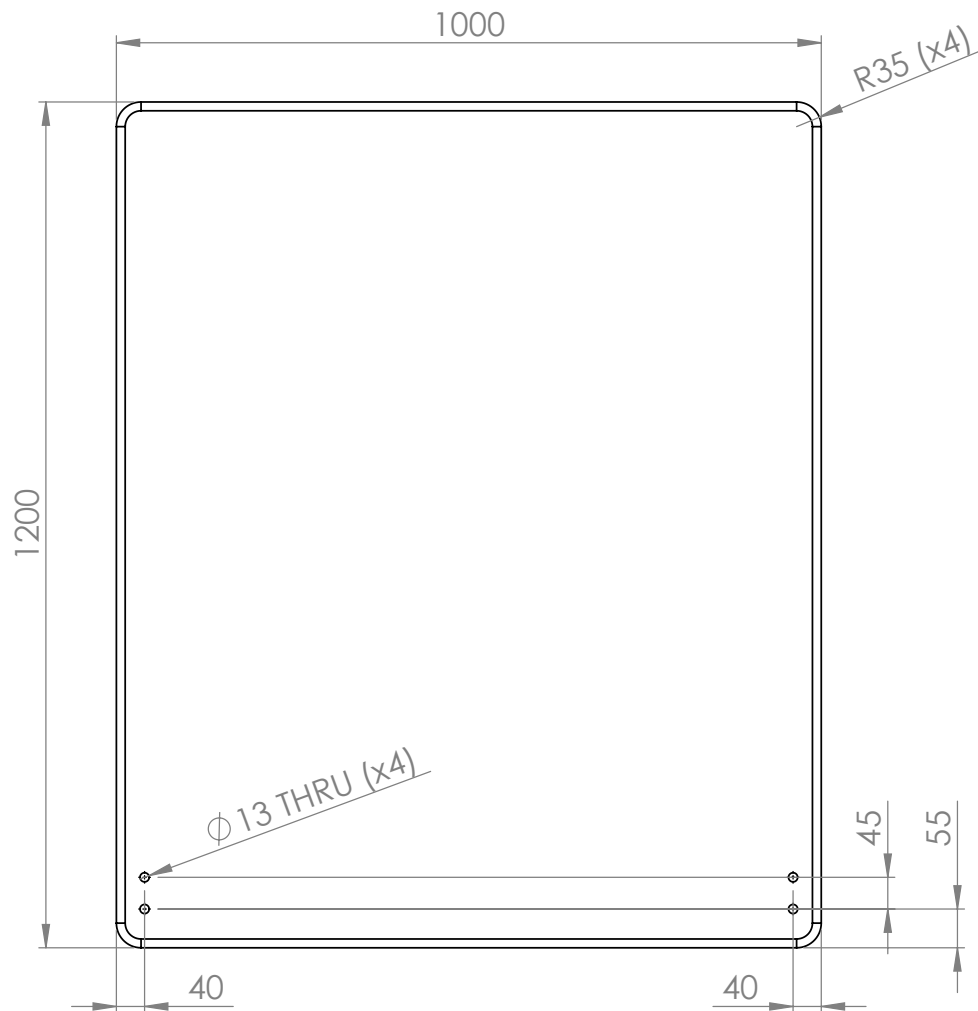
THIS DRAWING AND INFORMATION CONTAINED HEREIN ARE THE PROPERTY OF GÖTESSONS DESIGN GROUP AB AND SHALL BE RETURNED UPON DEMAND AND SHALL NOT BE REPRODUCED IN WHOLE OR IN PART TO ANYONE ELSE OR USED WITHOUT WRITTEN CONSENT OF GÖTESSONS DESIGN GROUP AB

Rev
A

Format
A4

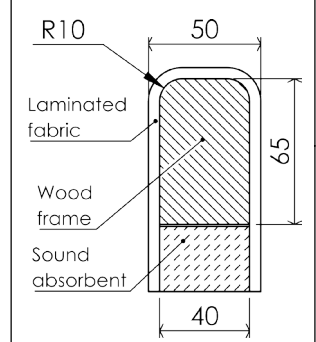
Scale
1:12

Page
1/1



REVISIONS			
REV.	DESCRIPTION	DATE	BY
A	Created drawing, filling 2500g/m ² (A-classed)	2026-02-20	Tolle

Section view of ScreenIT A40

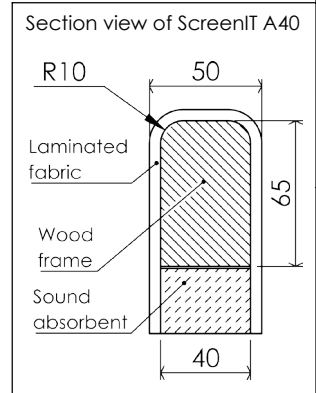
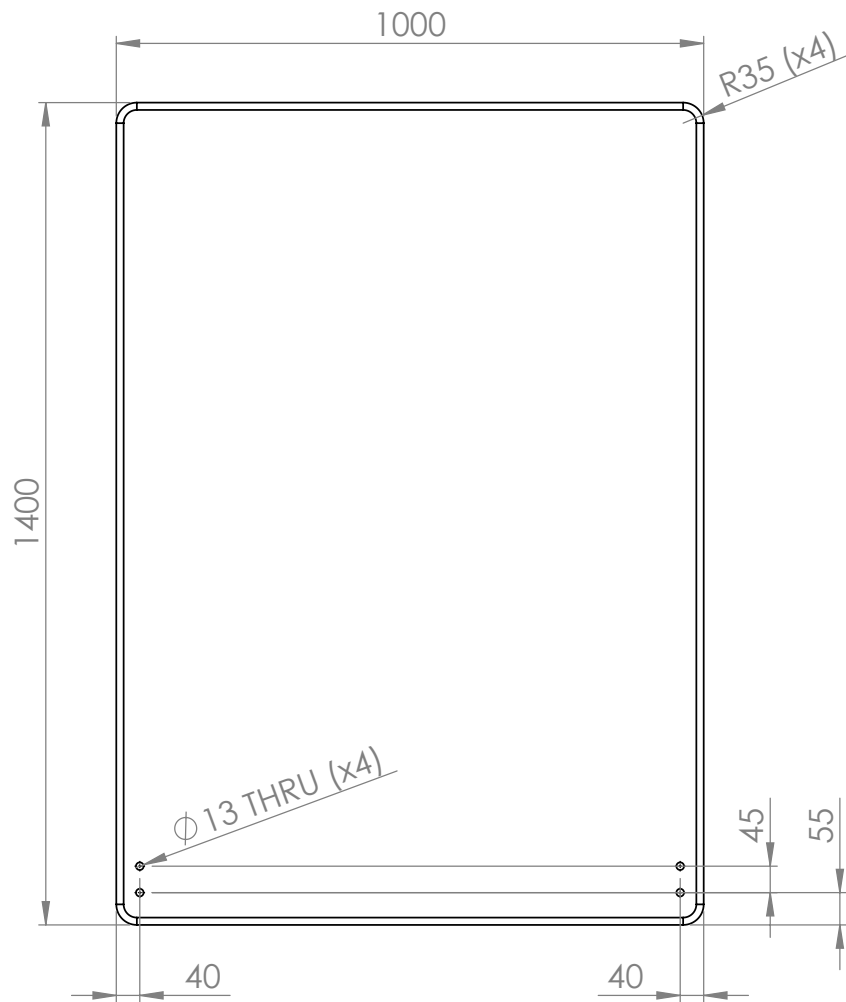


© 2026

GÖTESSONS

Art.nr. 433120		Name ScreenIT A40+ Floorscreen 1000x1200 mm			
View placement 	General tolerance SS-ISO 2768-1 m	THESE MEASUREMENTS REFER TO THE FRAMEWORK AND DO NOT INCLUDE UPHOLSTERY, SEAM OR ZIP	Material X		
THIS DRAWING AND INFORMATION CONTAINED HEREIN ARE THE PROPERTY OF GÖTESSONS DESIGN GROUP AB AND SHALL BE RETURNED UPON DEMAND AND SHALL NOT BE REPRODUCED IN WHOLE OR IN PART TO ANYONE ELSE OR USED WITHOUT WRITTEN CONSENT OF GÖTESSONS DESIGN GROUP AB		Rev A	Format A4	Scale 1:10	Page 1/1

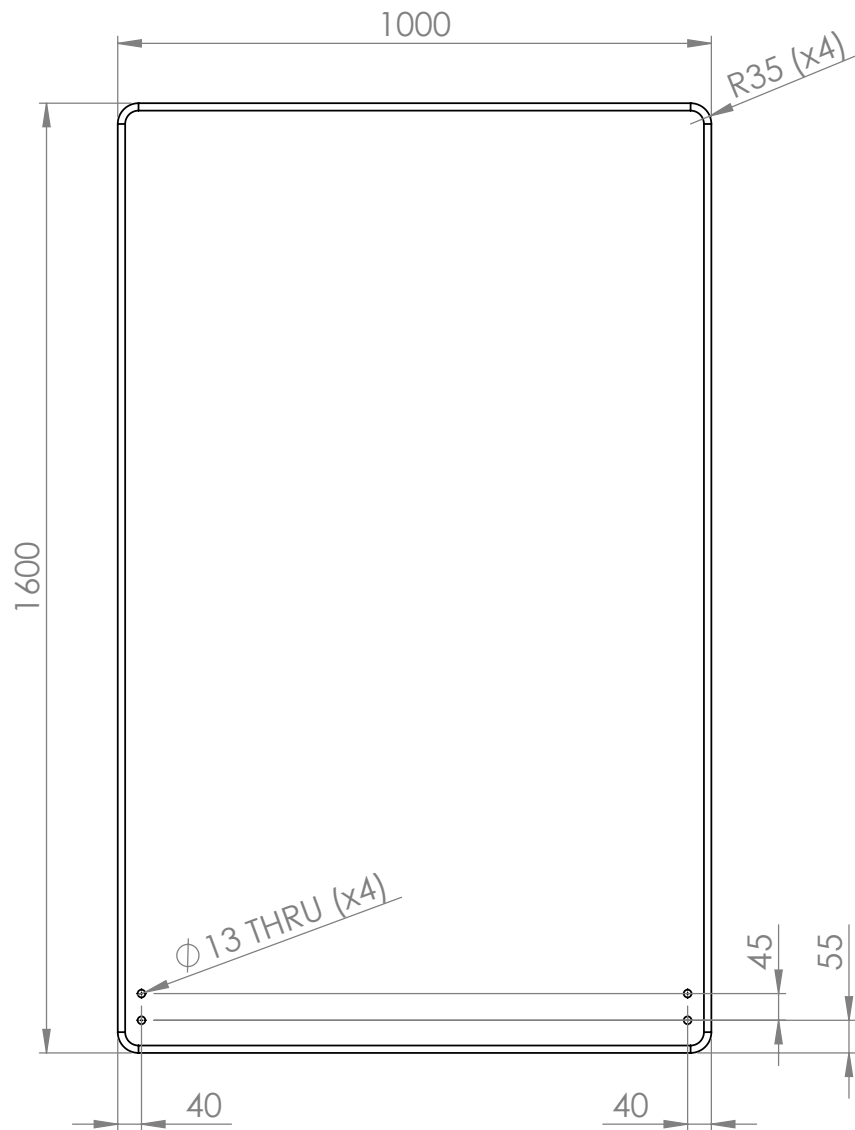
REVISIONS			
REV.	DESCRIPTION	DATE	BY
A	Created drawing, filling 2500g/m ² (A-classed)	2026-02-20	Tolle



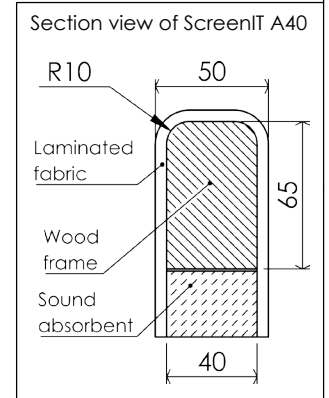
© 2026

GÖTESSONS

Art.nr. 433140	Name ScreenIT A40+ Floorscreen 1000x1400 mm		
View placement 	General tolerance SS-ISO 2768-1 m	THESE MEASUREMENTS REFER TO THE FRAMEWORK AND DO NOT INCLUDE UPHOLSTERY, SEAM OR ZIP	Material X
THIS DRAWING AND INFORMATION CONTAINED HEREIN ARE THE PROPERTY OF GÖTESSONS DESIGN GROUP AB AND SHALL BE RETURNED UPON DEMAND AND SHALL NOT BE REPRODUCED IN WHOLE OR IN PART TO ANYONE ELSE OR USED WITHOUT WRITTEN CONSENT OF GÖTESSONS DESIGN GROUP AB		Rev A	Format A4
		Scale 1:12	Page 1/1

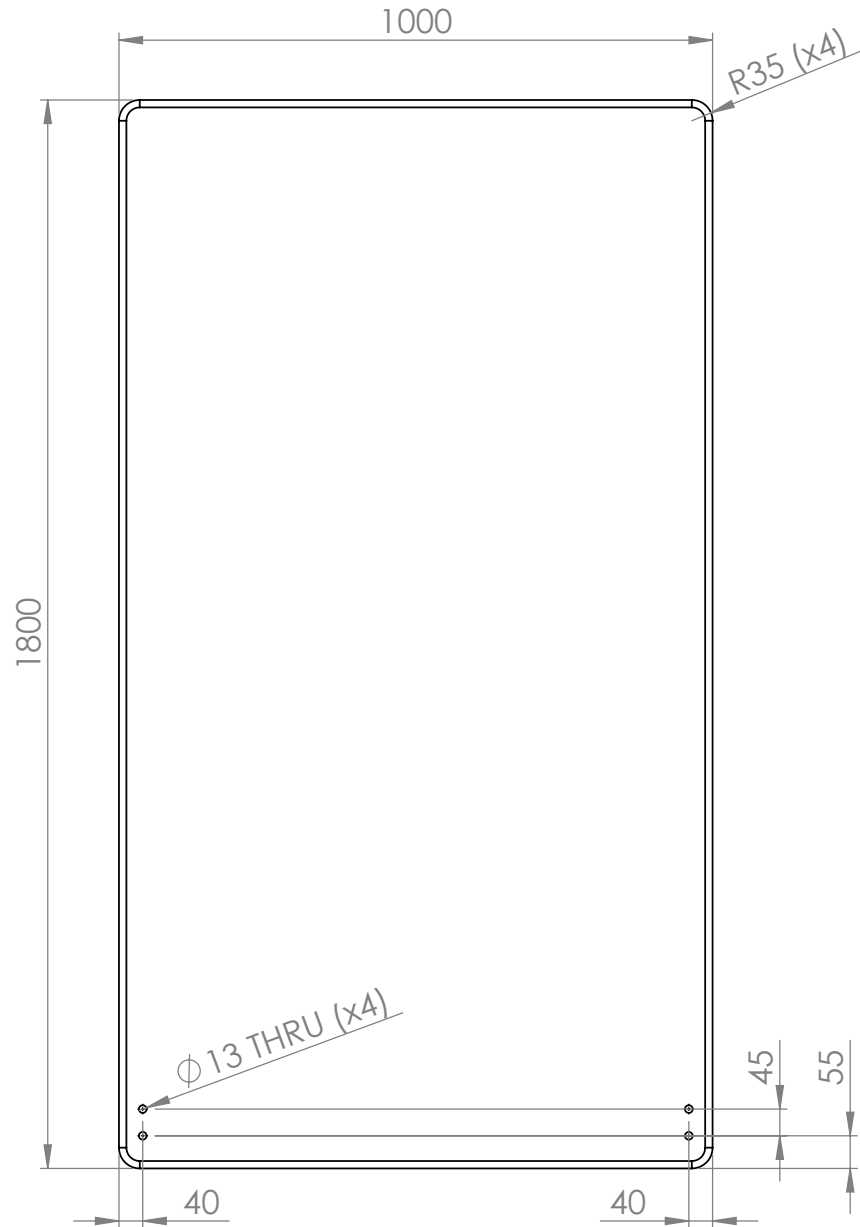


REVISIONS			
REV.	DESCRIPTION	DATE	BY
A	Created drawing, filling 2500g/m ² (A-classed)	2026-02-20	Tolle

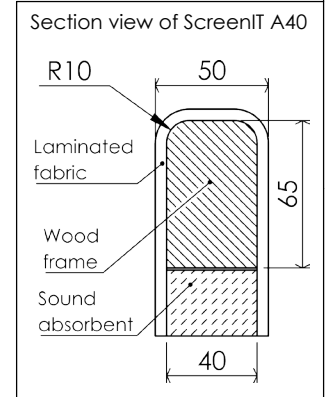


GÖTESSONS © 2026

Art.nr. 433160		Name ScreenIT A40+ Floorscreen 1000x1600 mm			
View placement 	General tolerance SS-ISO 2768-1 m	THESE MEASUREMENTS REFER TO THE FRAMEWORK AND DO NOT INCLUDE UPHOLSTERY, SEAM OR ZIP	Material X		
THIS DRAWING AND INFORMATION CONTAINED HEREIN ARE THE PROPERTY OF GÖTESSONS DESIGN GROUP AB AND SHALL BE RETURNED UPON DEMAND AND SHALL NOT BE REPRODUCED IN WHOLE OR IN PART TO ANYONE ELSE OR USED WITHOUT WRITTEN CONSENT OF GÖTESSONS DESIGN GROUP AB		Rev A	Format A4	Scale 1:12	Page 1/1



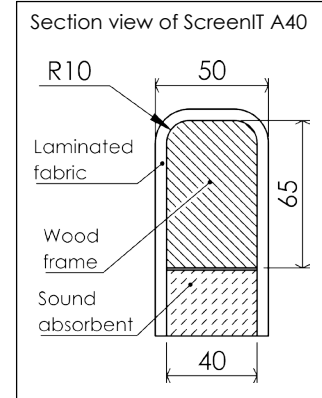
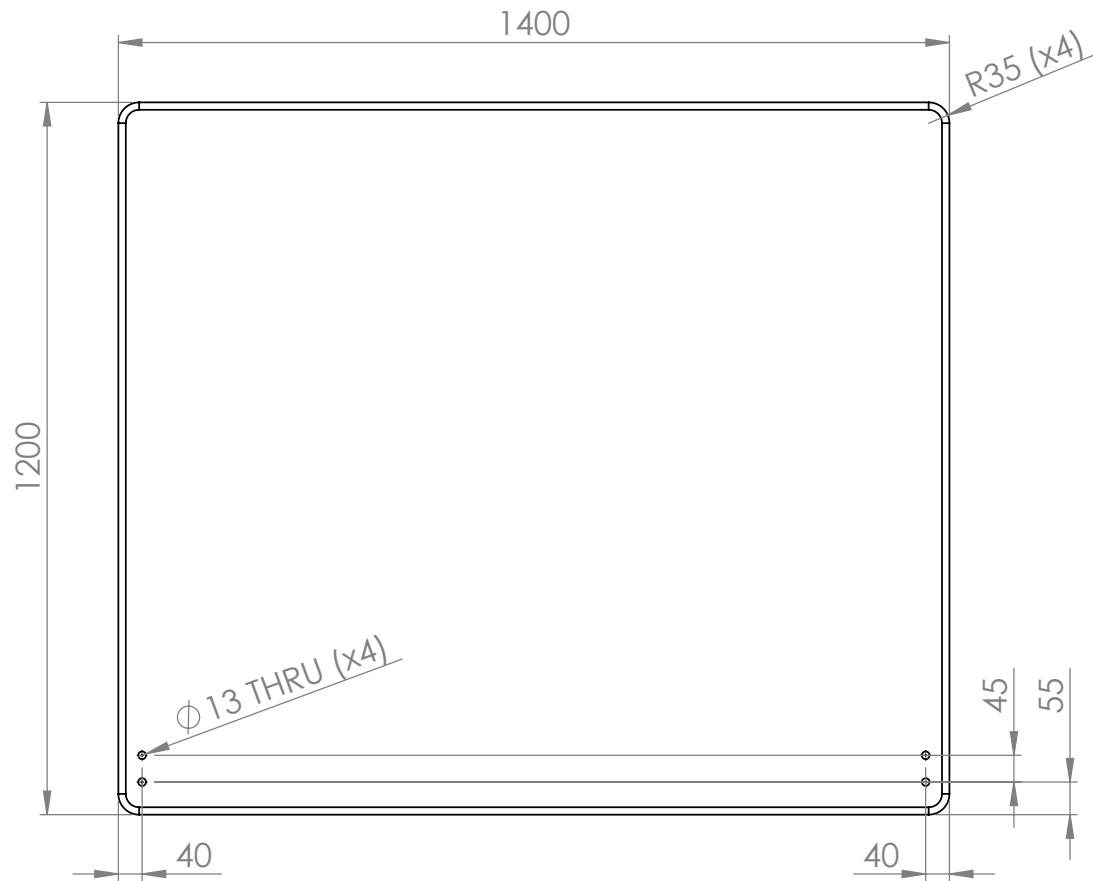
REVISIONS			
REV.	DESCRIPTION	DATE	BY
A	Created drawing, filling 2500g/m ² (A-classed)	2026-02-20	Tolle



GÖTESSONS © 2026

Art.nr. 433180		Name ScreenIT A40+ Floorscreen 1000x1800 mm			
View placement 	General tolerance SS-ISO 2768-1 m	THESE MEASUREMENTS REFER TO THE FRAMEWORK AND DO NOT INCLUDE UPHOLSTERY, SEAM OR ZIP	Material X		
THIS DRAWING AND INFORMATION CONTAINED HEREIN ARE THE PROPERTY OF GÖTESSONS DESIGN GROUP AB AND SHALL BE RETURNED UPON DEMAND AND SHALL NOT BE REPRODUCED IN WHOLE OR IN PART TO ANYONE ELSE OR USED WITHOUT WRITTEN CONSENT OF GÖTESSONS DESIGN GROUP AB		Rev A	Format A4	Scale 1:12	Page 1/1

REVISIONS			
REV.	DESCRIPTION	DATE	BY
A	Created drawing, filling 2500g/m ² (A-classed)	2026-02-20	Tolle

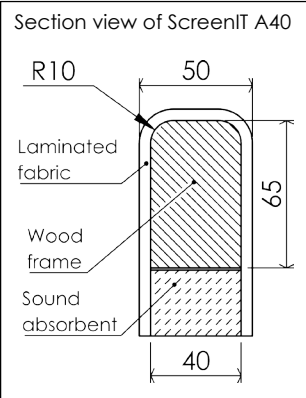
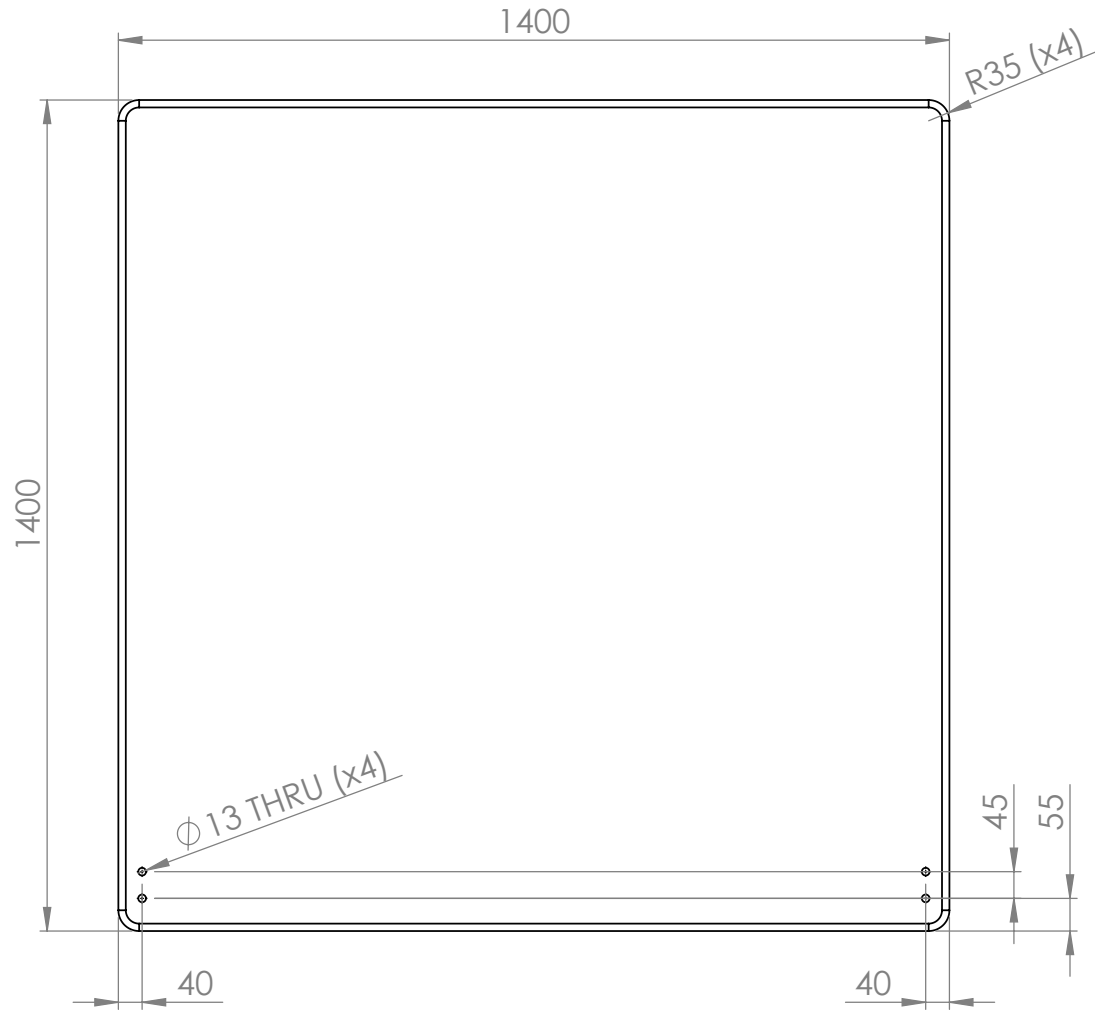


© 2026

GÖTESSONS

Art.nr. 454120		Name ScreenIT A40+ Floorscreen 1400x1200 mm	
View placement 	General tolerance SS-ISO 2768-1 m	THESE MEASUREMENTS REFER TO THE FRAMEWORK AND DO NOT INCLUDE UPHOLSTERY, SEAM OR ZIP	Material X
THIS DRAWING AND INFORMATION CONTAINED HEREIN ARE THE PROPERTY OF GÖTESSONS DESIGN GROUP AB AND SHALL BE RETURNED UPON DEMAND AND SHALL NOT BE REPRODUCED IN WHOLE OR IN PART TO ANYONE ELSE OR USED WITHOUT WRITTEN CONSENT OF GÖTESSONS DESIGN GROUP AB		Rev A	Format A4
		Scale 1:12	Page 1/1

REVISIONS			
REV.	DESCRIPTION	DATE	BY
A	Created drawing, filling 2500g/m ² (A-classed)	2026-02-20	Tolle

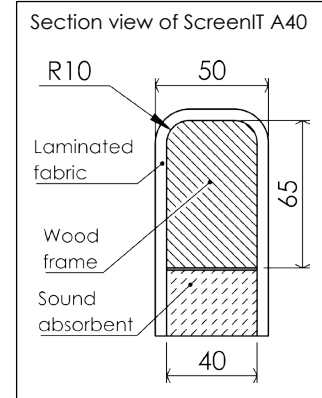
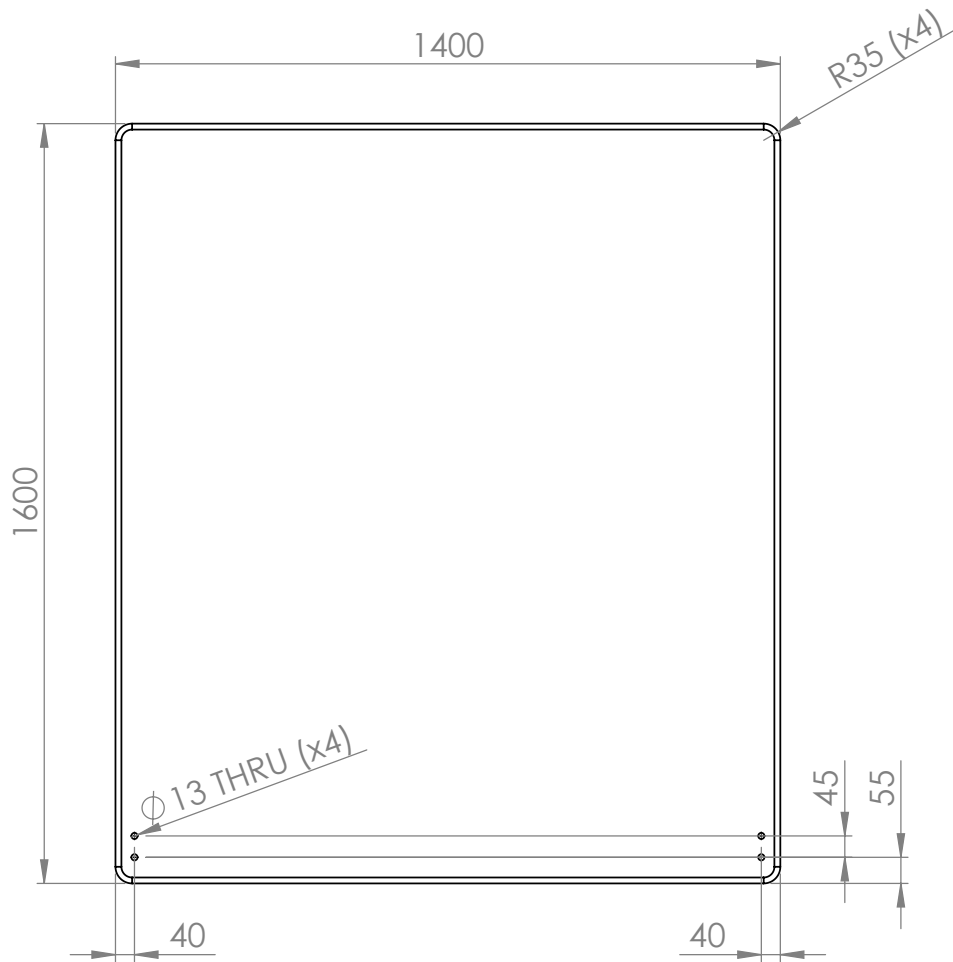


© 2026

GÖTESSONS

Art.nr. 454140		Name ScreenIT A40+ Floorscreen 1400x1400 mm	
View placement 	General tolerance SS-ISO 2768-1 m	THESE MEASUREMENTS REFER TO THE FRAMEWORK AND DO NOT INCLUDE UPHOLSTERY, SEAM OR ZIP	Material X
THIS DRAWING AND INFORMATION CONTAINED HEREIN ARE THE PROPERTY OF GÖTESSONS DESIGN GROUP AB AND SHALL BE RETURNED UPON DEMAND AND SHALL NOT BE REPRODUCED IN WHOLE OR IN PART TO ANYONE ELSE OR USED WITHOUT WRITTEN CONSENT OF GÖTESSONS DESIGN GROUP AB		Rev A	Format A4
		Scale 1:12	Page 1/1

REVISIONS			
REV.	DESCRIPTION	DATE	BY
A	Created drawing, filling 2500g/m ² (A-classed)	2026-02-20	Tolle

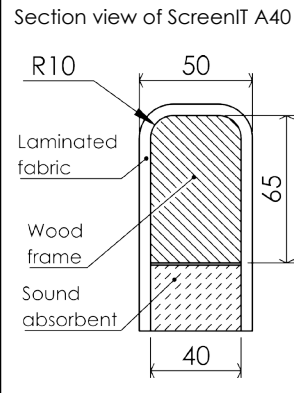
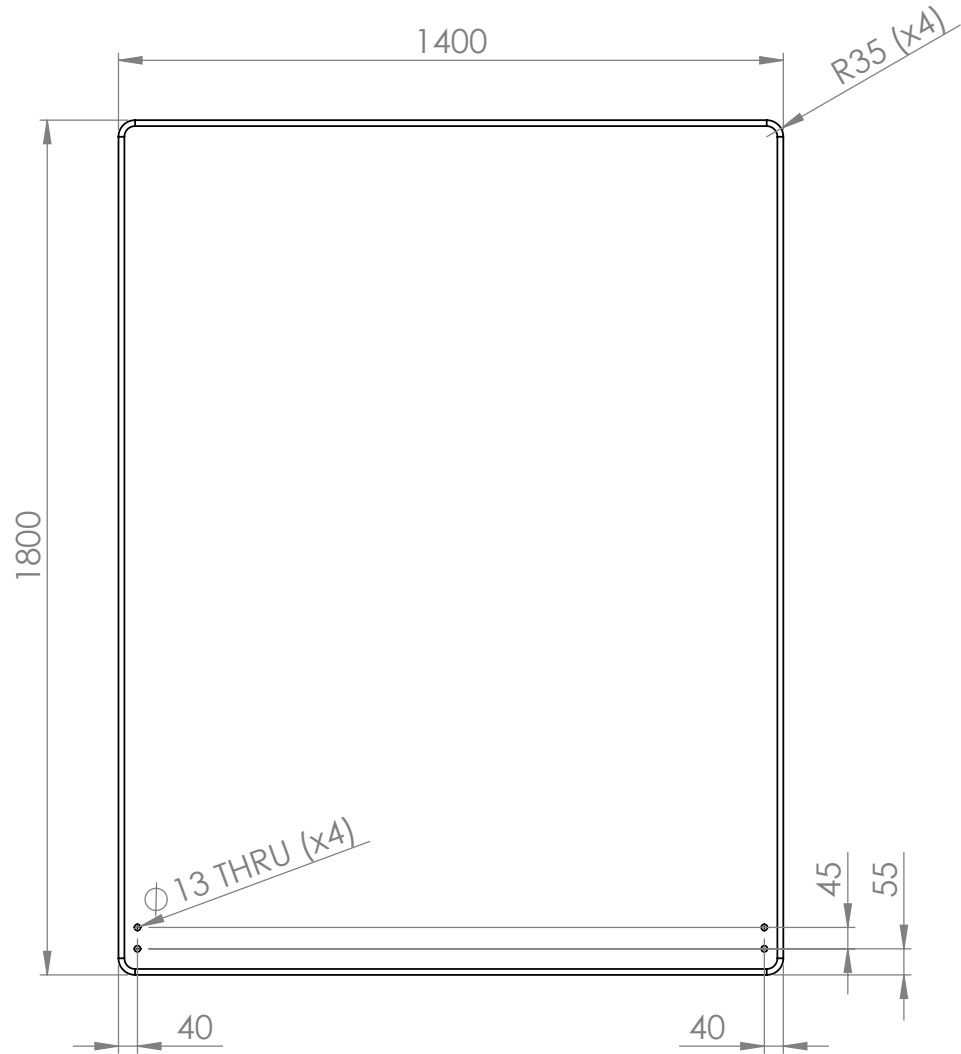


© 2026

GÖTESSONS

Art.nr. 454160		Name ScreenIT A40+ Floorscreen 1400x1600 mm	
View placement 	General tolerance SS-ISO 2768-1 m	THESE MEASUREMENTS REFER TO THE FRAMEWORK AND DO NOT INCLUDE UPHOLSTERY, SEAM OR ZIP	Material X
THIS DRAWING AND INFORMATION CONTAINED HEREIN ARE THE PROPERTY OF GÖTESSONS DESIGN GROUP AB AND SHALL BE RETURNED UPON DEMAND AND SHALL NOT BE REPRODUCED IN WHOLE OR IN PART TO ANYONE ELSE OR USED WITHOUT WRITTEN CONSENT OF GÖTESSONS DESIGN GROUP AB		Rev A	Format A4
		Scale 1:15	Page 1/1

REVISIONS			
REV.	DESCRIPTION	DATE	BY
A	Created drawing, filling 2500g/m ² (A-classed)	2026-02-20	Tolle

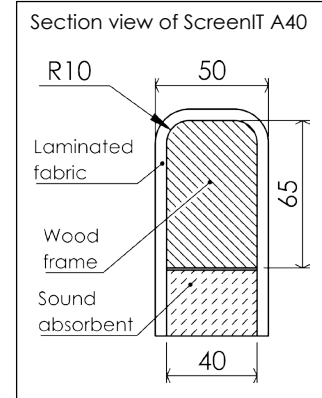
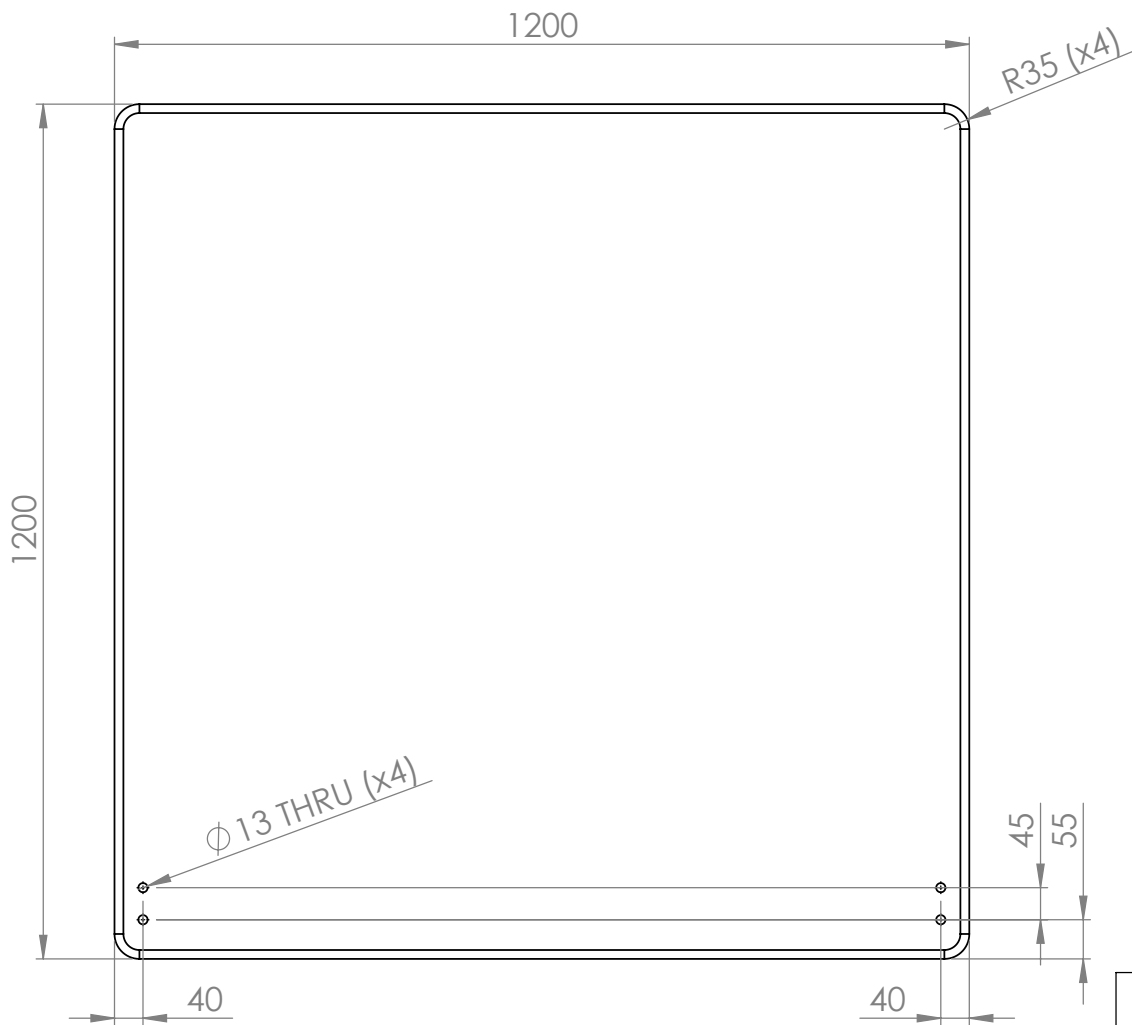


© 2026

GÖTESSONS

Art.nr. 454180		Name ScreenIT A40+ Floorscreen 1400x1800 mm	
View placement 	General tolerance SS-ISO 2768-1 m	THESE MEASUREMENTS REFER TO THE FRAMEWORK AND DO NOT INCLUDE UPHOLSTERY, SEAM OR ZIP	Material X
THIS DRAWING AND INFORMATION CONTAINED HEREIN ARE THE PROPERTY OF GÖTESSONS DESIGN GROUP AB AND SHALL BE RETURNED UPON DEMAND AND SHALL NOT BE REPRODUCED IN WHOLE OR IN PART TO ANYONE ELSE OR USED WITHOUT WRITTEN CONSENT OF GÖTESSONS DESIGN GROUP AB		Rev A	Format A4
		Scale 1:15	Page 1/1

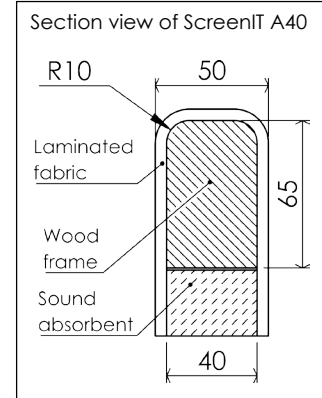
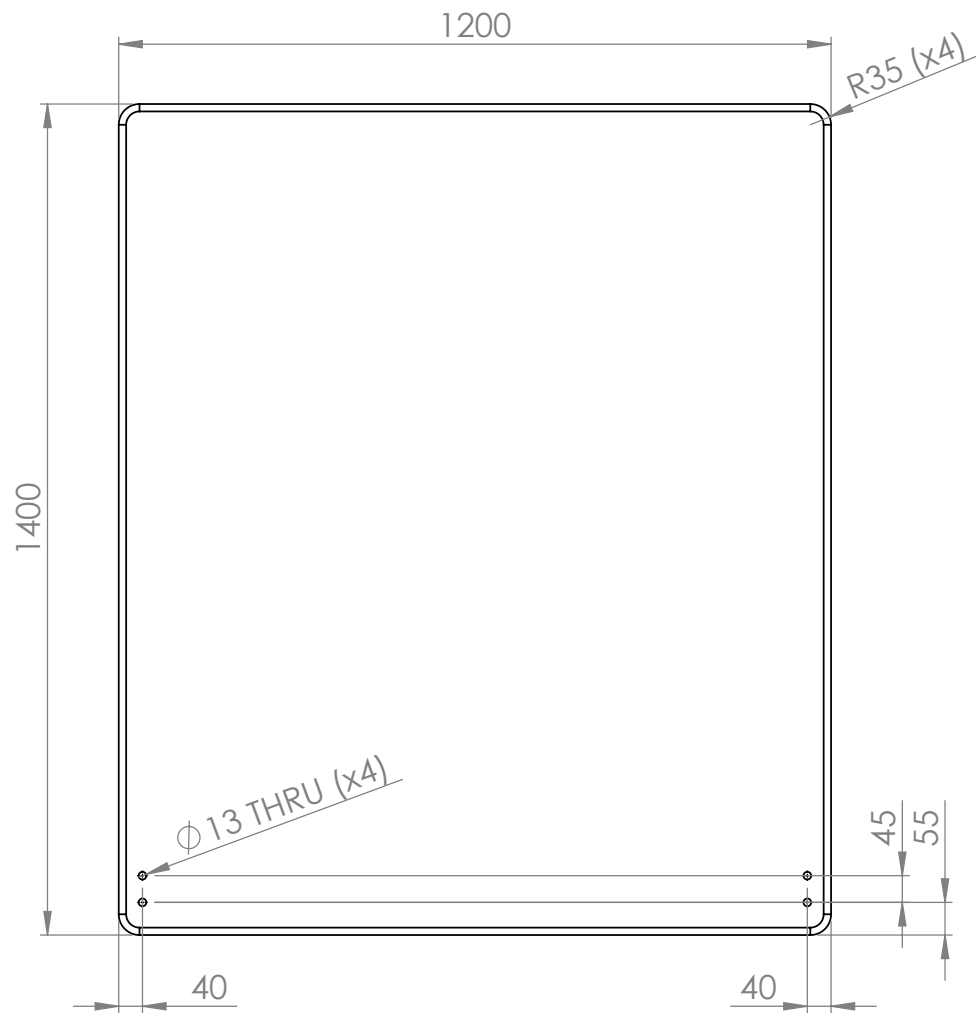
REVISIONS			
REV.	DESCRIPTION	DATE	BY
A	Created drawing, filling 2500g/m ² (A-classed)	2026-02-20	Tolle



GÖTESSONS © 2026

Art.nr. 455120		Name ScreenIT A40+ Floorscreen 1200x1200 mm			
View placement 	General tolerance SS-ISO 2768-1 m	THESE MEASUREMENTS REFER TO THE FRAMEWORK AND DO NOT INCLUDE UPHOLSTERY, SEAM OR ZIP	Material X		
THIS DRAWING AND INFORMATION CONTAINED HEREIN ARE THE PROPERTY OF GÖTESSONS DESIGN GROUP AB AND SHALL BE RETURNED UPON DEMAND AND SHALL NOT BE REPRODUCED IN WHOLE OR IN PART TO ANYONE ELSE OR USED WITHOUT WRITTEN CONSENT OF GÖTESSONS DESIGN GROUP AB		Rev A	Format A4	Scale 1:10	Page 1/1

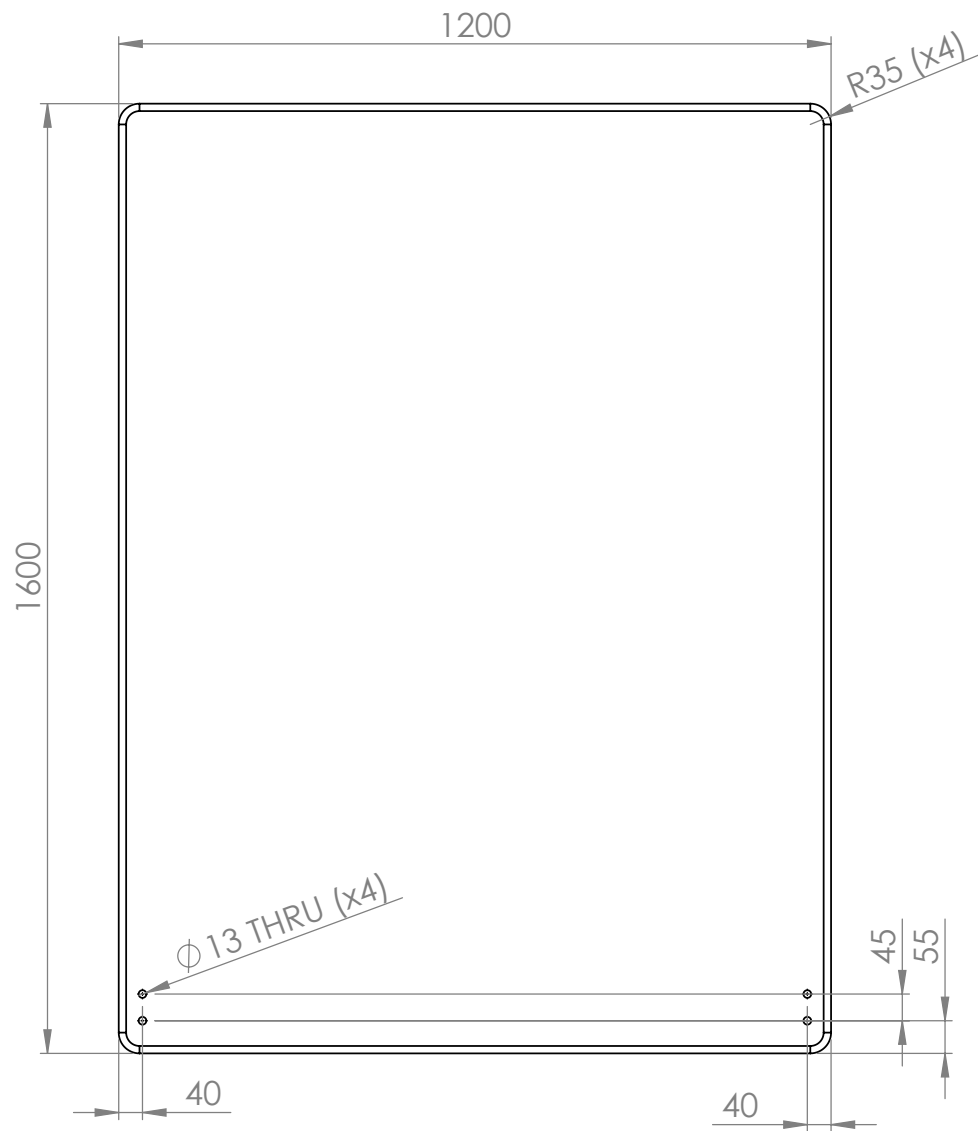
REVISIONS			
REV.	DESCRIPTION	DATE	BY
A	Created drawing, filling 2500g/m ² (A-classed)	2026-02-20	Tolle



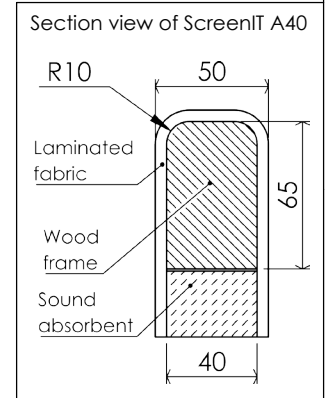
© 2026

GÖTESSONS

Art.nr. 455140		Name ScreenIT A40+ Floorscreen 1200x1400 mm	
View placement 	General tolerance SS-ISO 2768-1 m	THESE MEASUREMENTS REFER TO THE FRAMEWORK AND DO NOT INCLUDE UPHOLSTERY, SEAM OR ZIP	Material X
THIS DRAWING AND INFORMATION CONTAINED HEREIN ARE THE PROPERTY OF GÖTESSONS DESIGN GROUP AB AND SHALL BE RETURNED UPON DEMAND AND SHALL NOT BE REPRODUCED IN WHOLE OR IN PART TO ANYONE ELSE OR USED WITHOUT WRITTEN CONSENT OF GÖTESSONS DESIGN GROUP AB		Rev A	Format A4
		Scale 1:12	Page 1/1



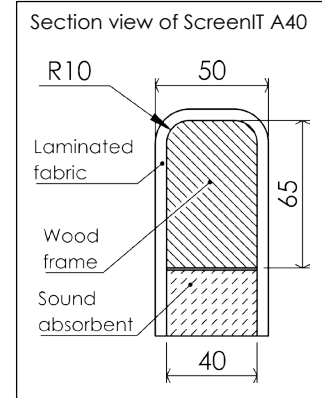
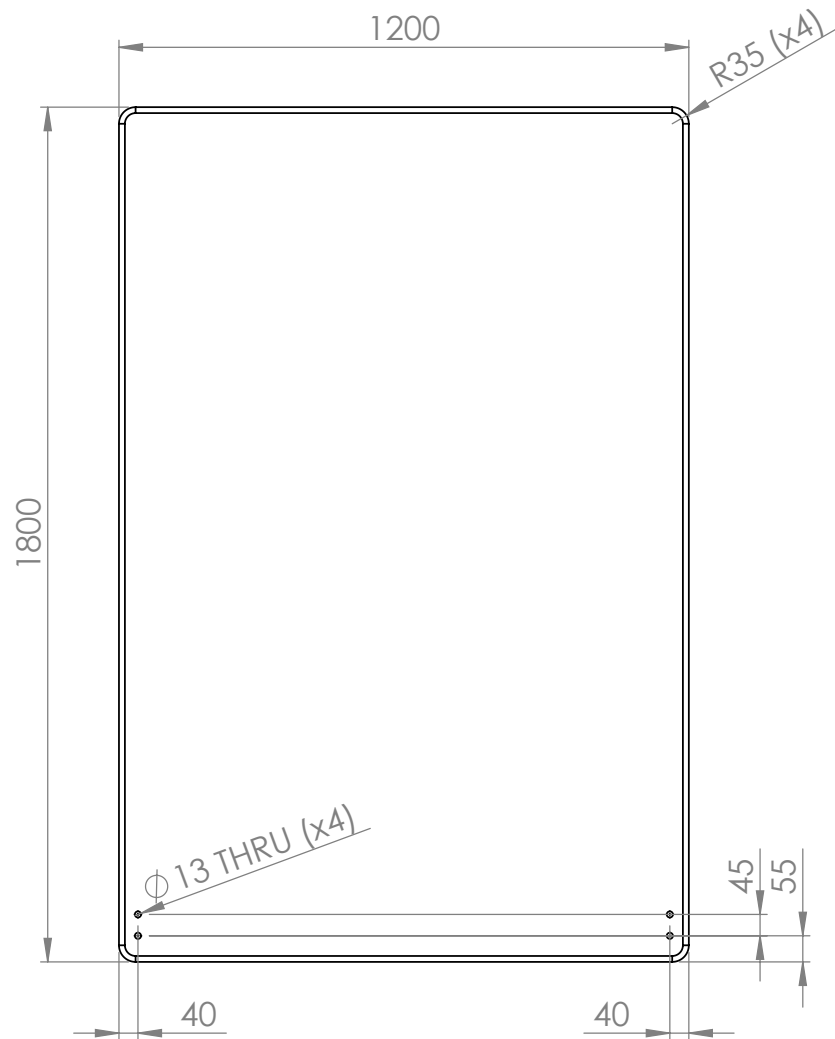
REVISIONS			
REV.	DESCRIPTION	DATE	BY
A	Created drawing, filling 2500g/m ² (A-classed)	2026-02-20	Tolle



GÖTESSONS © 2026

Art.nr. 455160		Name ScreenIT A40+ Floorscreen 1200x1600 mm			
View placement 	General tolerance SS-ISO 2768-1 m	THESE MEASUREMENTS REFER TO THE FRAMEWORK AND DO NOT INCLUDE UPHOLSTERY, SEAM OR ZIP	Material X		
THIS DRAWING AND INFORMATION CONTAINED HEREIN ARE THE PROPERTY OF GÖTESSONS DESIGN GROUP AB AND SHALL BE RETURNED UPON DEMAND AND SHALL NOT BE REPRODUCED IN WHOLE OR IN PART TO ANYONE ELSE OR USED WITHOUT WRITTEN CONSENT OF GÖTESSONS DESIGN GROUP AB		Rev A	Format A4	Scale 1:12	Page 1/1

REVISIONS			
REV.	DESCRIPTION	DATE	BY
A	Created drawing, filling 2500g/m ² (A-classed)	2026-02-20	Tolle

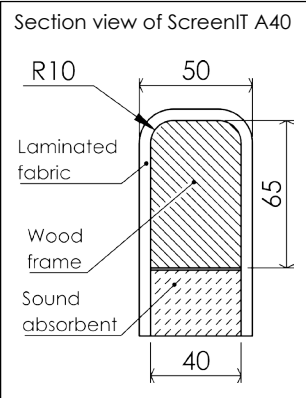
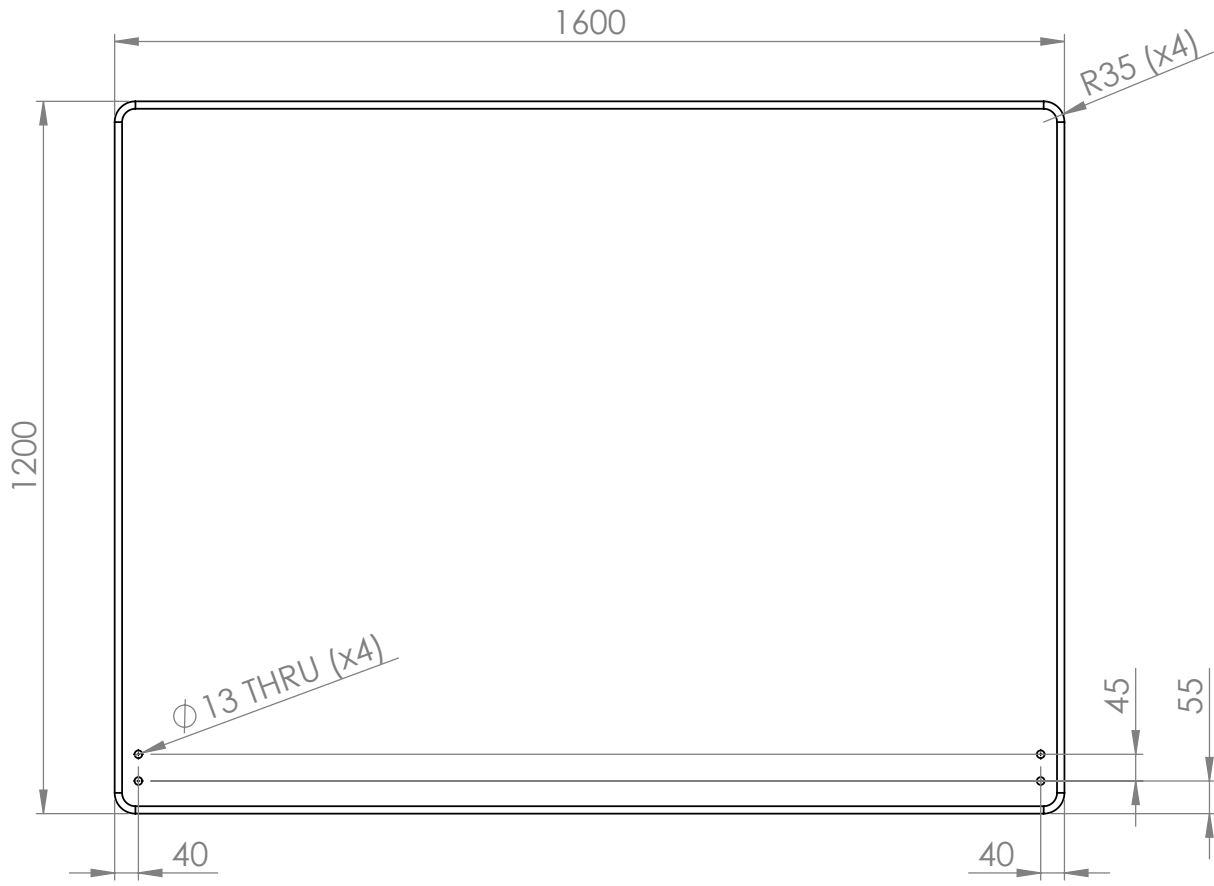


© 2026

GÖTESSONS

Art.nr. 455180		Name ScreenIT A40+ Floorscreen 1200x1800 mm	
View placement 	General tolerance SS-ISO 2768-1 m	THESE MEASUREMENTS REFER TO THE FRAMEWORK AND DO NOT INCLUDE UPHOLSTERY, SEAM OR ZIP	Material X
THIS DRAWING AND INFORMATION CONTAINED HEREIN ARE THE PROPERTY OF GÖTESSONS DESIGN GROUP AB AND SHALL BE RETURNED UPON DEMAND AND SHALL NOT BE REPRODUCED IN WHOLE OR IN PART TO ANYONE ELSE OR USED WITHOUT WRITTEN CONSENT OF GÖTESSONS DESIGN GROUP AB		Rev A	Format A4
		Scale 1:15	Page 1/1

REVISIONS			
REV.	DESCRIPTION	DATE	BY
A	Created drawing, filling 2500g/m ² (A-classed)	2026-02-20	Tolle

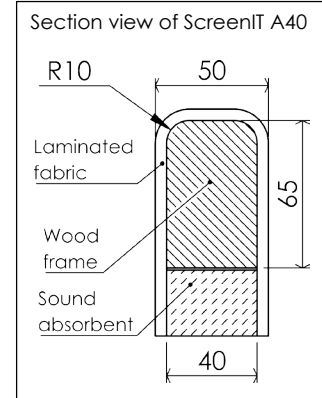
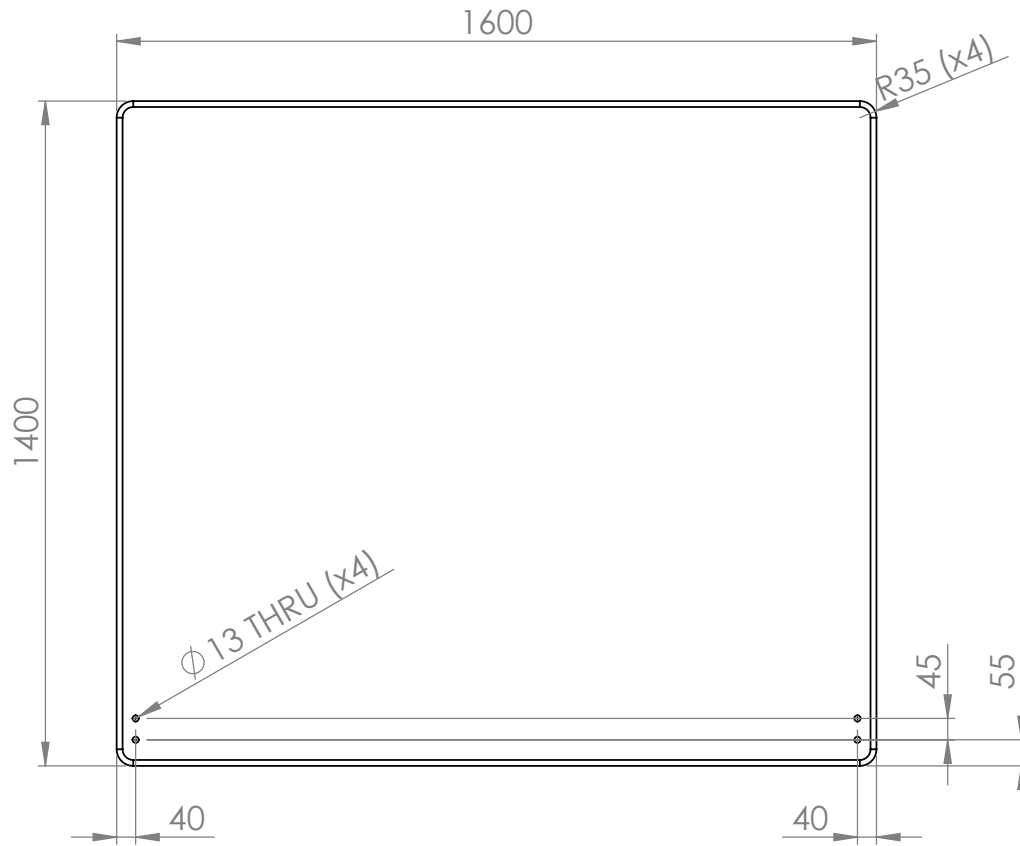


© 2026

GÖTESSONS

Art.nr. 456120		Name ScreenIT A40+ Floorscreen 1600x1200 mm			
View placement 	General tolerance SS-ISO 2768-1 m	THESE MEASUREMENTS REFER TO THE FRAMEWORK AND DO NOT INCLUDE UPHOLSTERY, SEAM OR ZIP	Material X		
THIS DRAWING AND INFORMATION CONTAINED HEREIN ARE THE PROPERTY OF GÖTESSONS DESIGN GROUP AB AND SHALL BE RETURNED UPON DEMAND AND SHALL NOT BE REPRODUCED IN WHOLE OR IN PART TO ANYONE ELSE OR USED WITHOUT WRITTEN CONSENT OF GÖTESSONS DESIGN GROUP AB		Rev A	Format A4	Scale 1:12	Page 1/1

REVISIONS			
REV.	DESCRIPTION	DATE	BY
A	Created drawing, filling 2500g/m ² (A-classed)	2026-02-20	Tolle

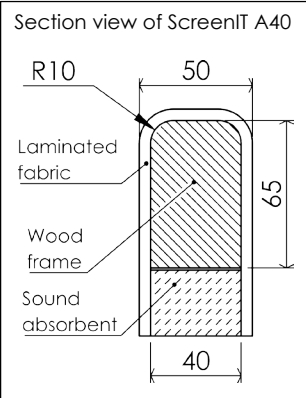
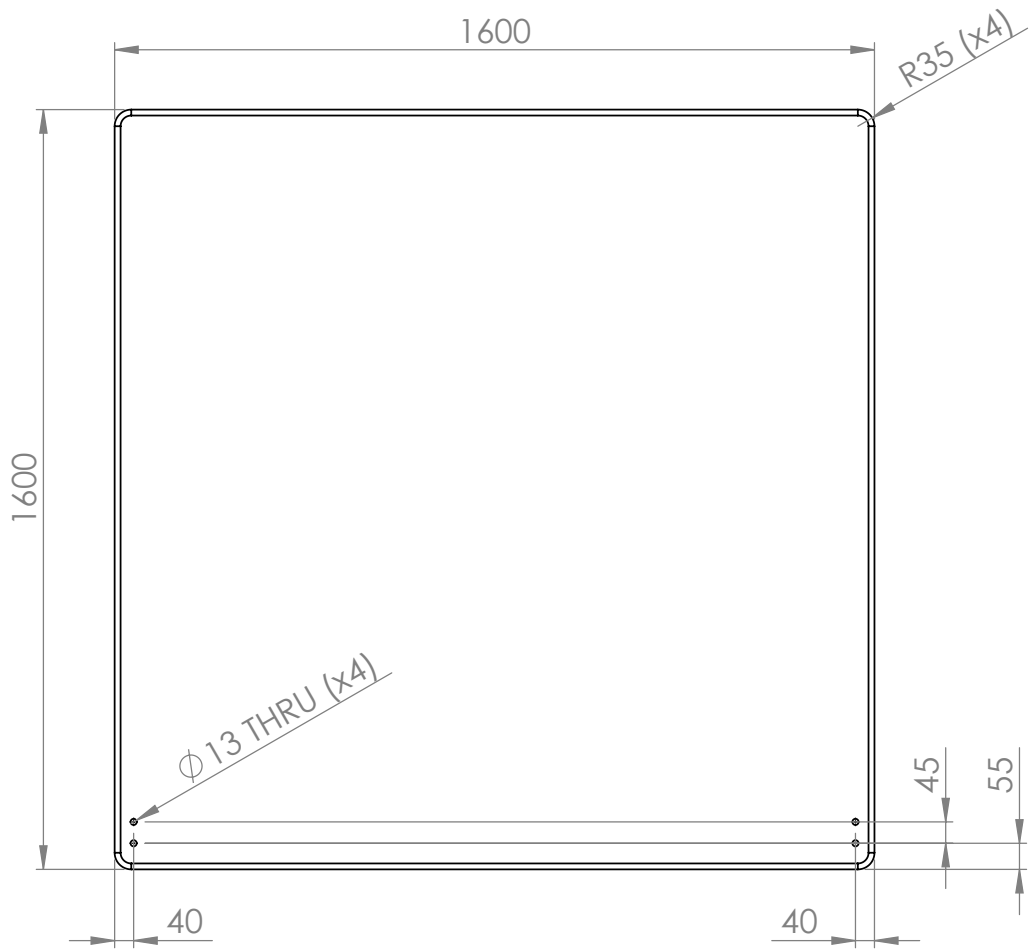


© 2026

GÖTESSONS

Art.nr. 456140		Name ScreenIT A40+ Floorscreen 1600x1400 mm	
View placement 	General tolerance SS-ISO 2768-1 m	THESE MEASUREMENTS REFER TO THE FRAMEWORK AND DO NOT INCLUDE UPHOLSTERY, SEAM OR ZIP	Material X
THIS DRAWING AND INFORMATION CONTAINED HEREIN ARE THE PROPERTY OF GÖTESSONS DESIGN GROUP AB AND SHALL BE RETURNED UPON DEMAND AND SHALL NOT BE REPRODUCED IN WHOLE OR IN PART TO ANYONE ELSE OR USED WITHOUT WRITTEN CONSENT OF GÖTESSONS DESIGN GROUP AB		Rev A	Format A4
		Scale 1:15	Page 1/1

REVISIONS			
REV.	DESCRIPTION	DATE	BY
A	Created drawing, filling 2500g/m ² (A-classed)	2026-02-20	Tolle



© 2026

GÖTESSONS

Art.nr. 456160		Name ScreenIT A40+ Floorscreen 1600x1600 mm	
View placement 	General tolerance SS-ISO 2768-1 m	THESE MEASUREMENTS REFER TO THE FRAMEWORK AND DO NOT INCLUDE UPHOLSTERY, SEAM OR ZIP	Material X
THIS DRAWING AND INFORMATION CONTAINED HEREIN ARE THE PROPERTY OF GÖTESSONS DESIGN GROUP AB AND SHALL BE RETURNED UPON DEMAND AND SHALL NOT BE REPRODUCED IN WHOLE OR IN PART TO ANYONE ELSE OR USED WITHOUT WRITTEN CONSENT OF GÖTESSONS DESIGN GROUP AB		Rev A	Format A4
		Scale 1:15	Page 1/1