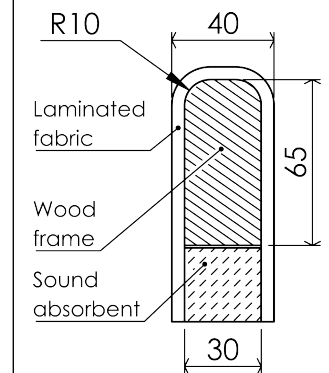


Section view of ScreenIT A30

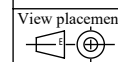


© 2024

GÖTESSONS

Art.nr.
6431805

Name
ScreenIT A30 1800x650 mm
500 mm above table



General tolerance
SS-ISO 2768-1
m

THESE MEASUREMENTS
REFER TO THE FRAMEWORK
AND DO NOT INCLUDE
UPHOLSTERY, SEAM OR ZIP

Material
X

THIS DRAWING AND INFORMATION CONTAINED HEREIN ARE THE PROPERTY OF GÖTESSONS DESIGN GROUP AB AND SHALL BE RETURNED UPON DEMAND AND SHALL NOT BE REPRODUCED IN WHOLE OR IN PART TO ANYONE ELSE OR USED WITHOUT WRITTEN CONSENT OF GÖTESSONS DESIGN GROUP AB

Rev
A

Format
A4

Scale
1:10

Page
1/1