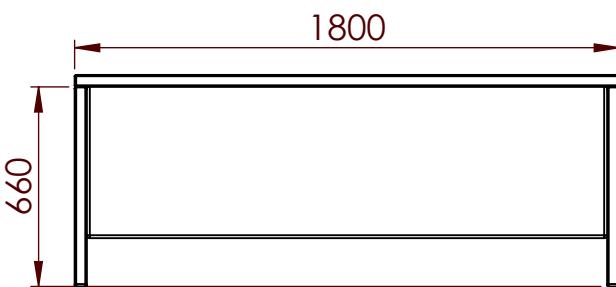
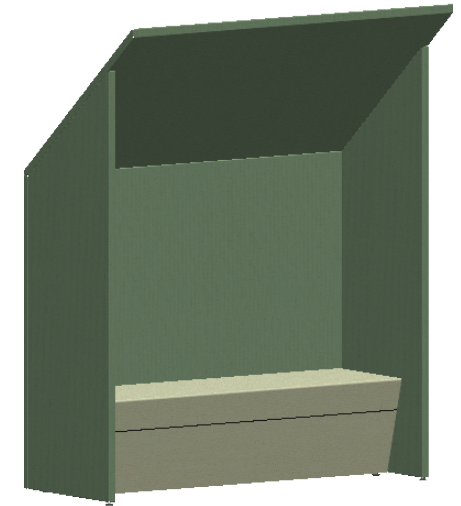
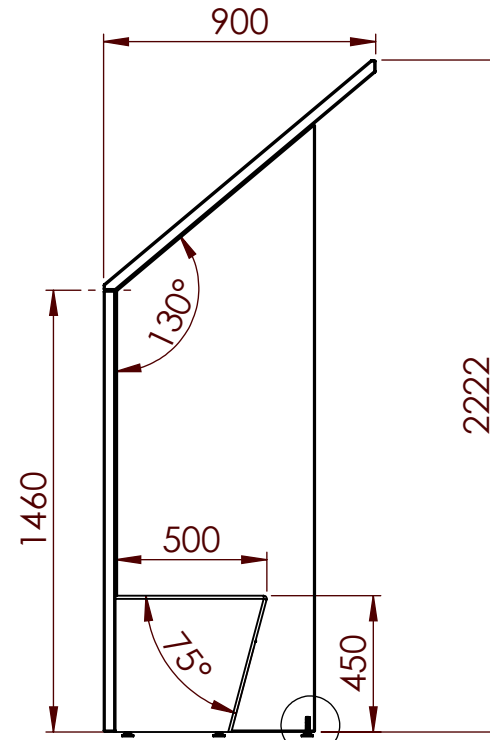
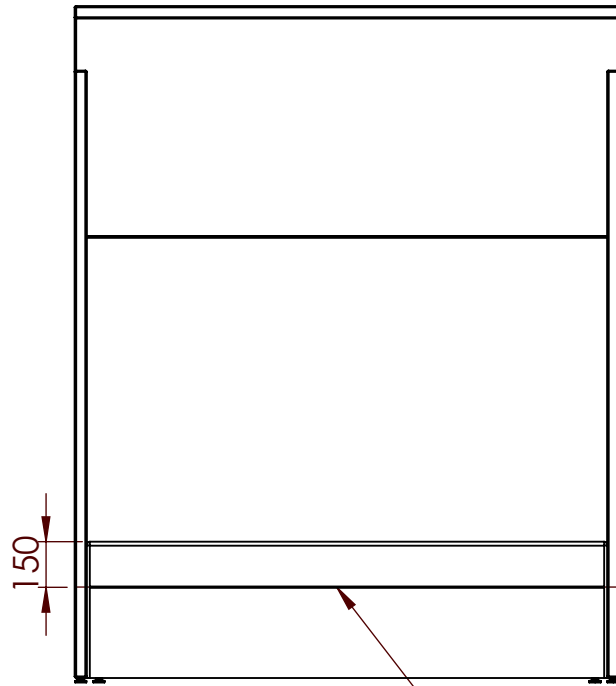
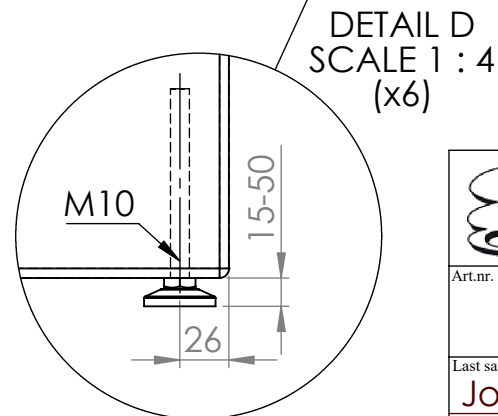
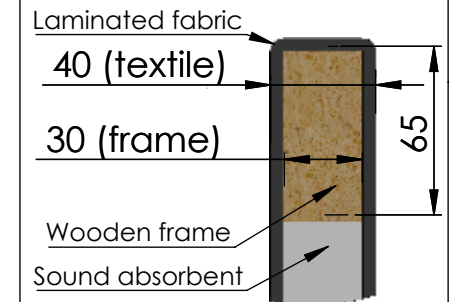


These measurements refer to the frame work and do not include upholstery, seam or zip

Tolerances (mm)			
Dimension			Deviation
(1)	-	20	±0,2
(20)	-	50	±0,5
(50)	-	200	±1,0
(200)	-		±2,0



Section view of ScreenIT A30



Art.nr. 647150		Name Time Out		
Last saved by Jonathan	Last saved 2020-10-15	Material	Rev -	Format A4
Created by Jonathan	Created date 2020-02-03		Scale 1:25	Page 1/1