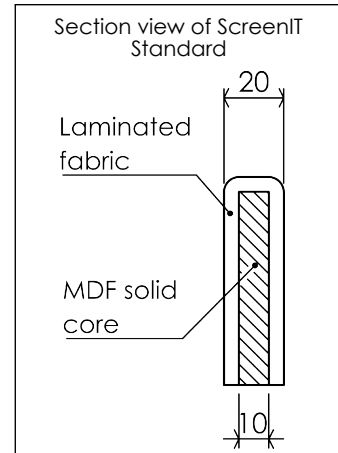
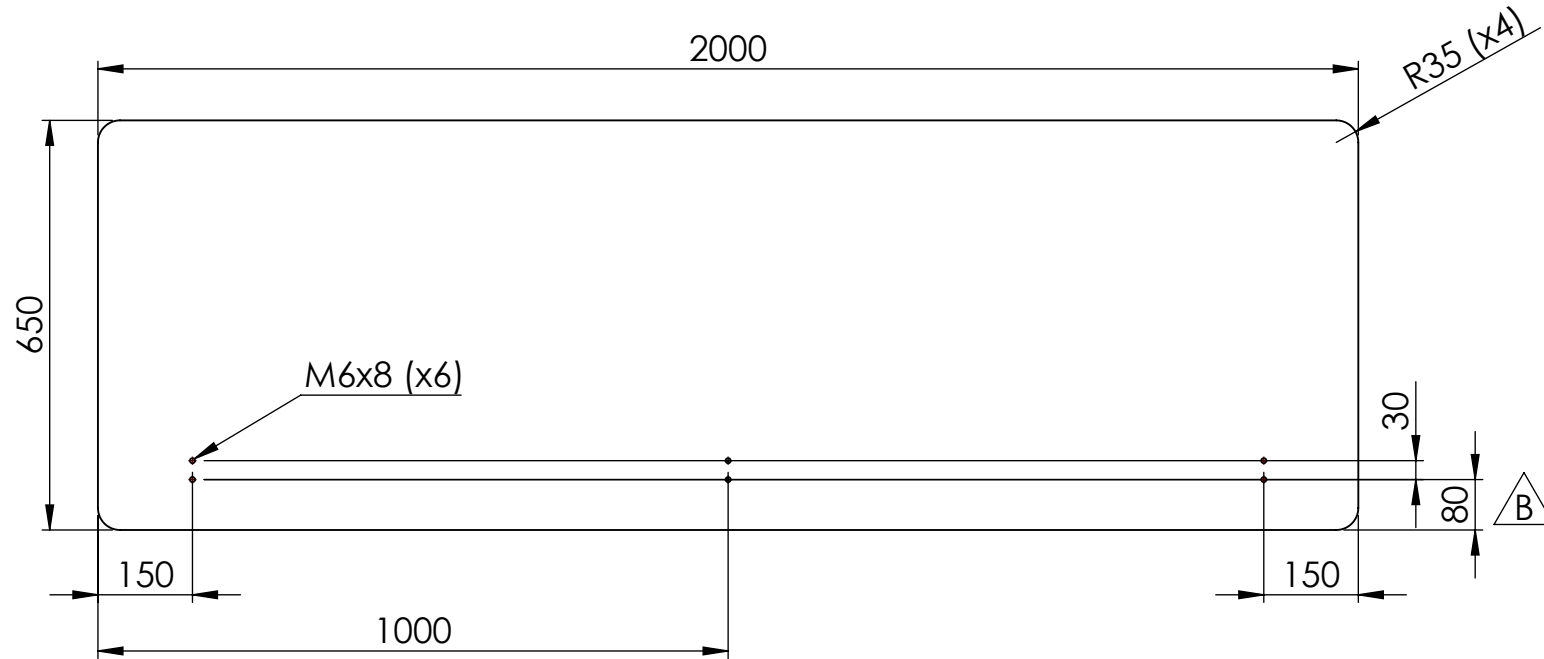


REVISIONS			
REV.	DESCRIPTION	DATE	BY
A	Drawing was made	2024-06-04	Tolle
B	Holes lowered	2024-08-26	Aarash



# GÖTESSONS

Art.nr. 6402005      Name ScreenIT Standard 2000x650 mm  
500 mm above table

View placement 	General tolerance SS-ISO 2768-1 m	THESE MEASUREMENTS REFER TO THE FRAMEWORK AND DO NOT INCLUDE UPHOLSTERY, SEAM OR ZIP	Material MDF
THIS DRAWING AND INFORMATION CONTAINED HEREIN ARE THE PROPERTY OF GÖTESSONS DESIGN GROUP AB AND SHALL BE RETURNED UPON DEMAND AND SHALL NOT BE REPRODUCED IN WHOLE OR IN PART TO ANYONE ELSE OR USED WITHOUT WRITTEN CONSENT OF GÖTESSONS DESIGN GROUP AB		Rev B	Format A4
		Scale 1:12	Page 1/1