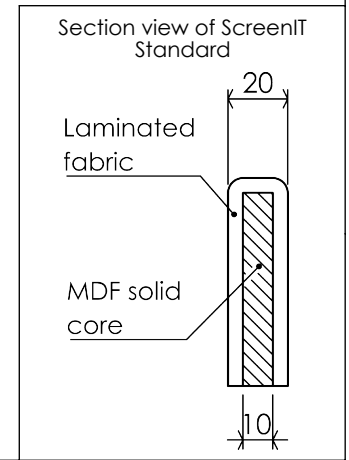
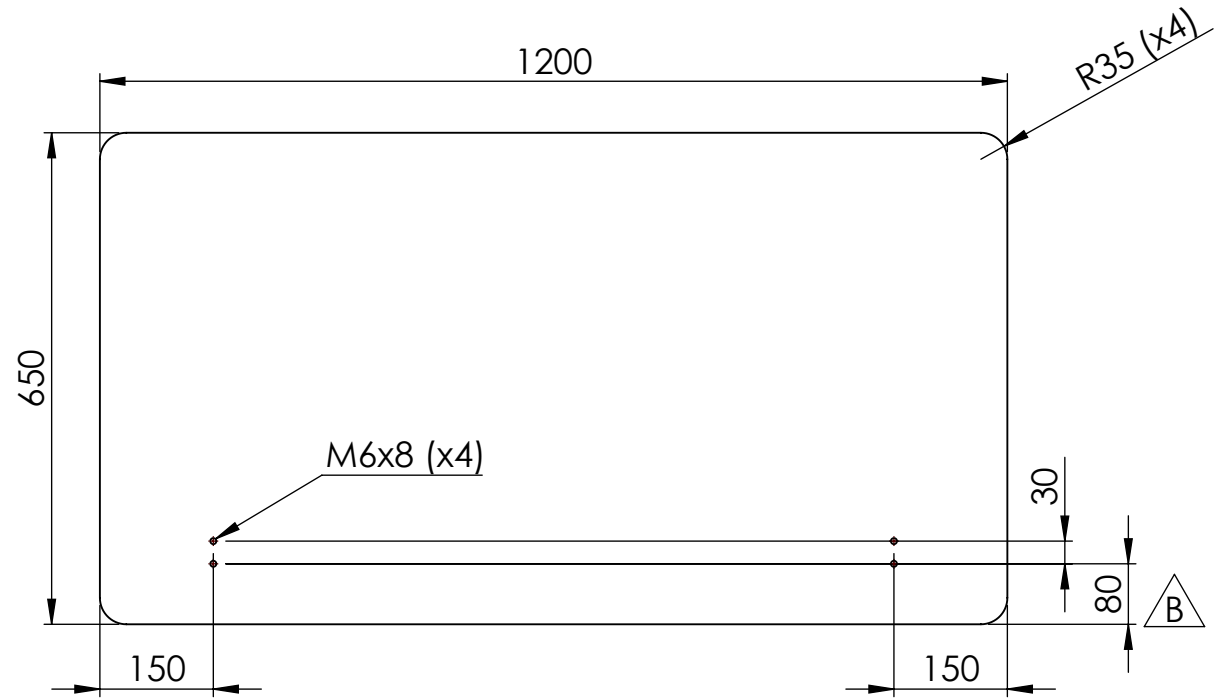


REVISIONS			
REV.	DESCRIPTION	DATE	BY
A	Drawing was made	2024-06-04	Tolle
B	Holes lowered	2024-08-26	Aarash



# GÖTESSONS

Art.nr. 6401205		Name ScreenIT Standard 1200x650 mm 500 mm above table			
View placement 	General tolerance SS-ISO 2768-1 m	THESE MEASUREMENTS REFER TO THE FRAMEWORK AND DO NOT INCLUDE UPHOLSTERY, SEAM OR ZIP	Material MDF		
THIS DRAWING AND INFORMATION CONTAINED HERIN ARE THE PROPERTY OF GÖTESSONS DESIGN GROUP AB AND SHALL BE RETURNED UPON DEMAND AND SHALL NOT BE REPRODUCED IN WHOLE OR IN PART TO ANYONE ELSE OR USED WITHOUT WRITTEN CONSENT OF GÖTESSONS DESIGN GROUP AB		Rev B	Format A4	Scale 1:10	Page 1/1