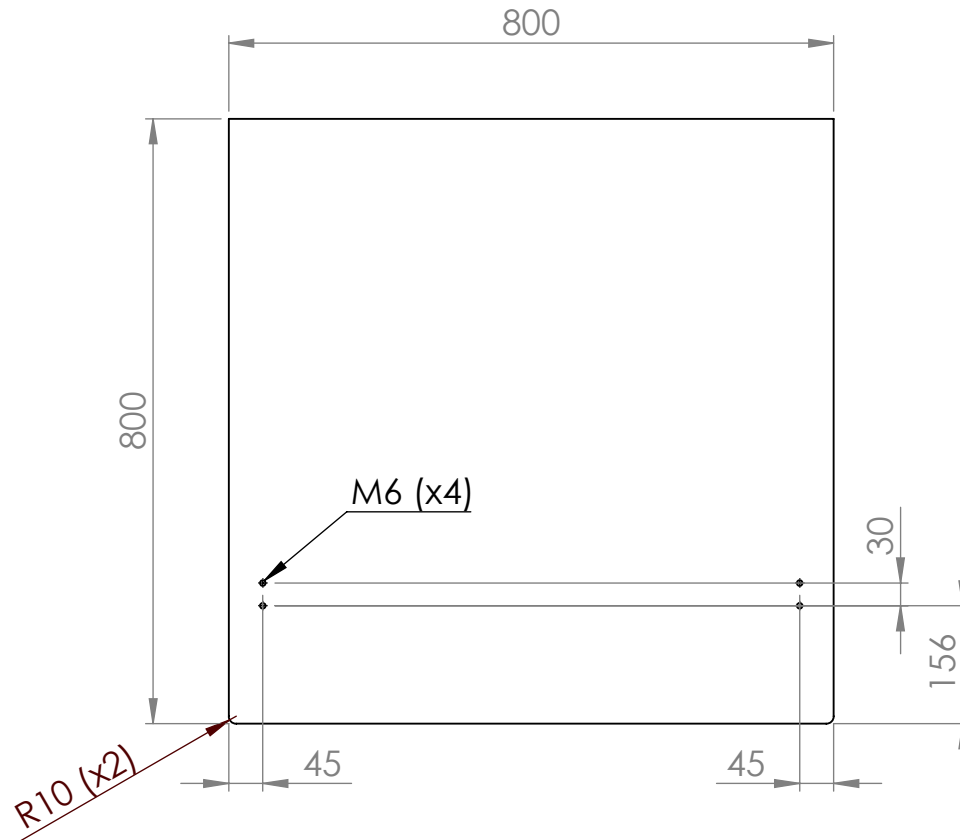
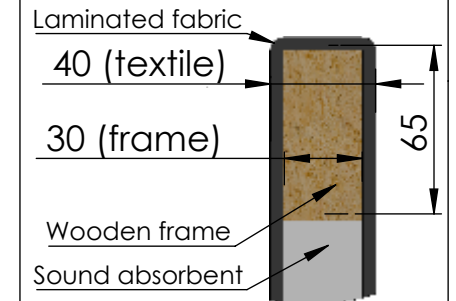


These measurements refer to the frame work and do not include upholstery, seam or zip

Tolerances (mm)			
Dimension			Deviation
(1)	-	20	±0,2
(20)	-	50	±0,5
(50)	-	200	±1,0
(200)	-		±2,0



**Section view of ScreenIT A30**



**GÖTESSONS**

Art.nr. 564080		Name ScreenIT A30 800x800 straight corner		
Last saved by <b>Aarash</b>	Last saved <b>2024-02-21</b>	Material <b>X</b>	Rev <b>-</b>	Format <b>A4</b>
Created by <b>Aarash</b>	Created date <b>2024-02-21</b>		Scale <b>1:10</b>	Page <b>1/1</b>