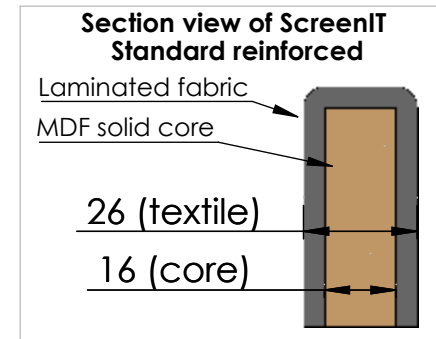
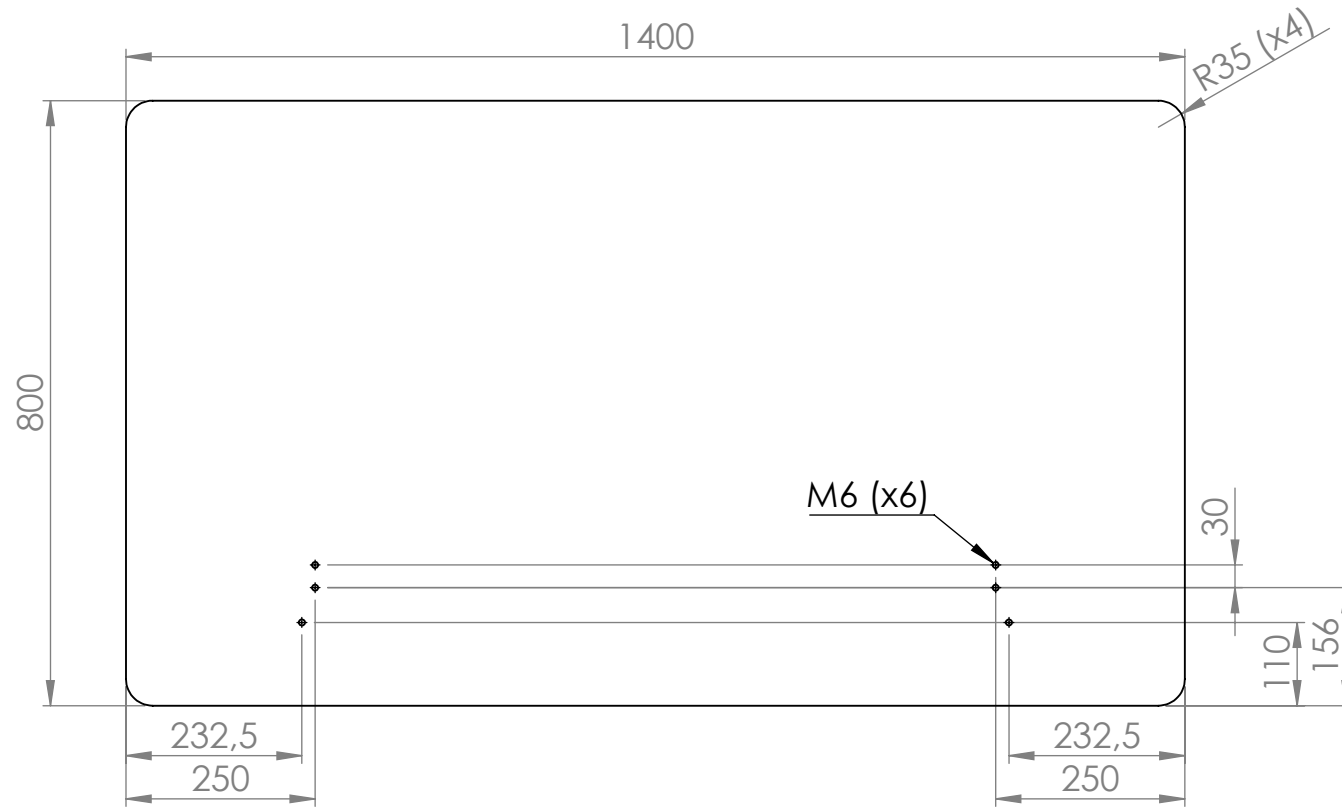


These measurements refer to the frame work and do not include upholstery, seam or zip

Tolerances (mm)			
Dimension			Deviation
(1)	-	20	±0,2
(20)	-	50	±0,5
(50)	-	200	±1,0
(200)	-		±2,0



Art.nr. 558140		Name ScreenIT Reinforced Standard 1400x800		
Last saved by Tolle	Last saved 2018-06-05	Material x	Rev 00	Format A4
Created by Jonathan	Created date 2018-03-14		Scale 1:10	Page 1/1