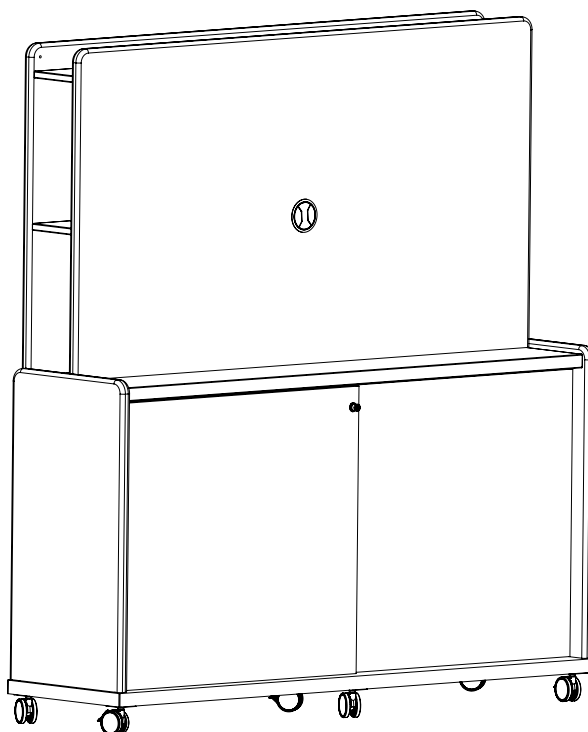
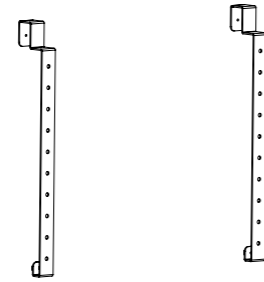
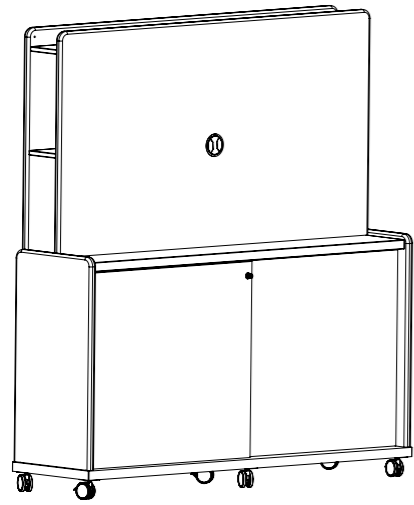


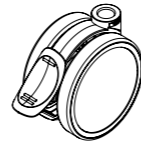
Moving Wall Media



DISASSEMBLY INSTRUCTION



B
↔



C*
WHEEL
↔

A*
↔



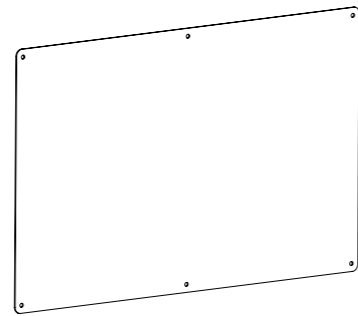
D ↔



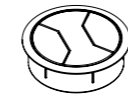
E ↔



F ↔

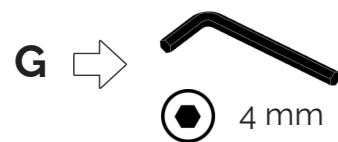


G ↔

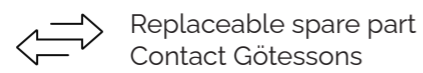


H ↔

NECESSARY TOOLS



SYMBOLS



CARE INSTRUCTIONS

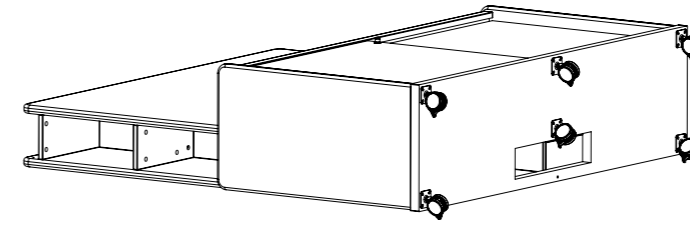


Maximize life – minimize waste. Follow this guide for correct repair and end-of-life disassembly. Proper handling ensures your warranty remains valid and enables 100% material recycling. Contact Götessons for spare parts or circularity inquiries.

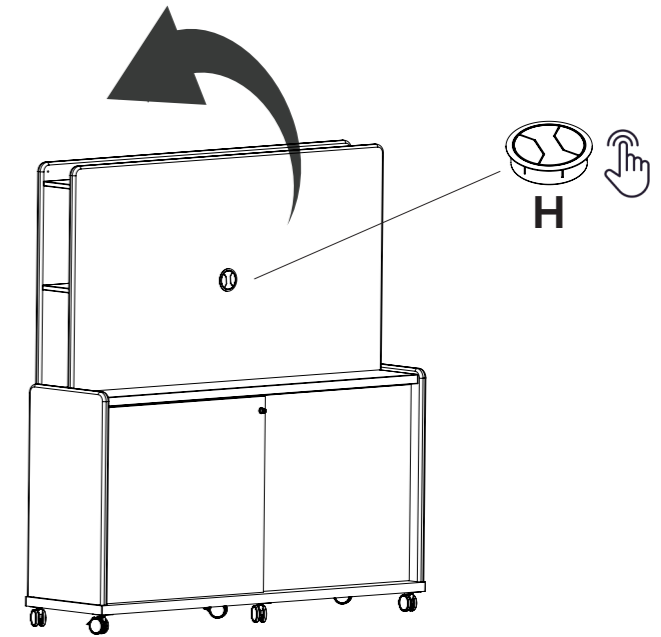
DISASSEMBLY INSTRUCTION



1)

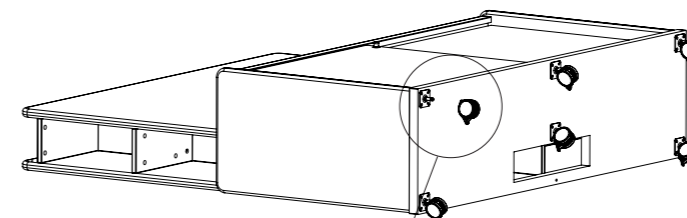


A*



A*

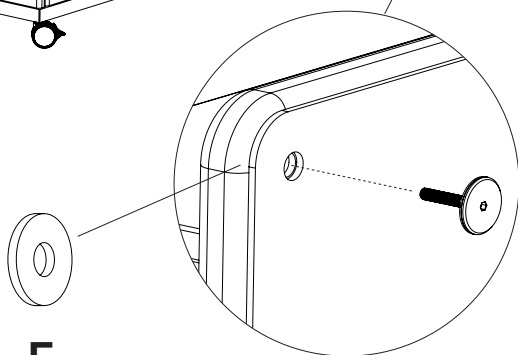
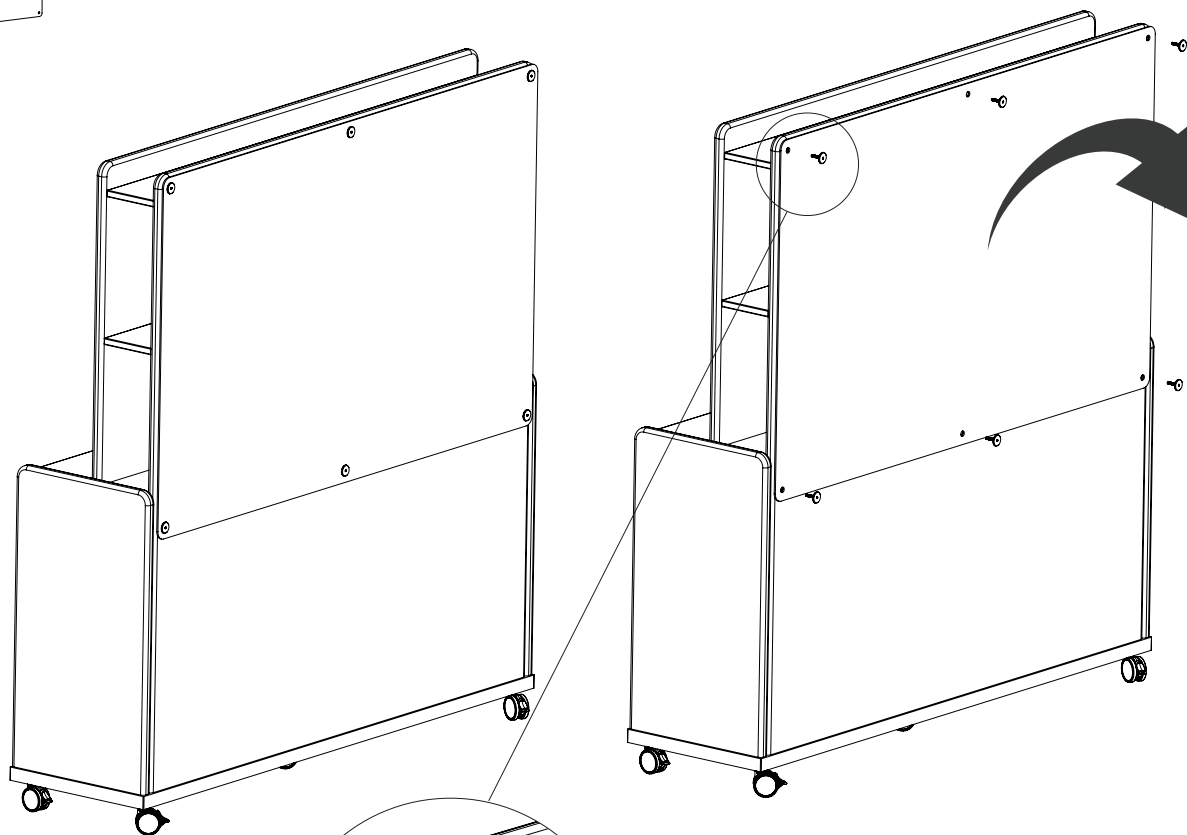
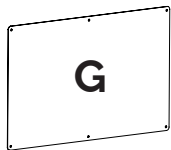
2)



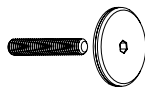
C*



DISASSEMBLY INSTRUCTION



F



E D