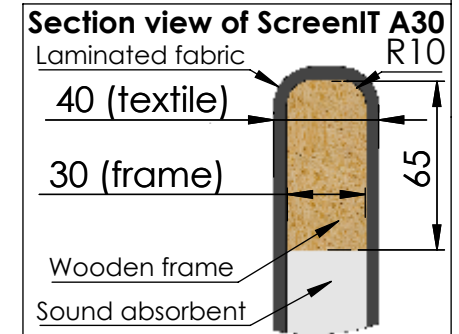
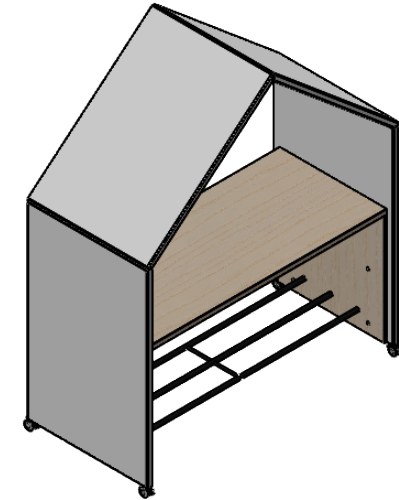
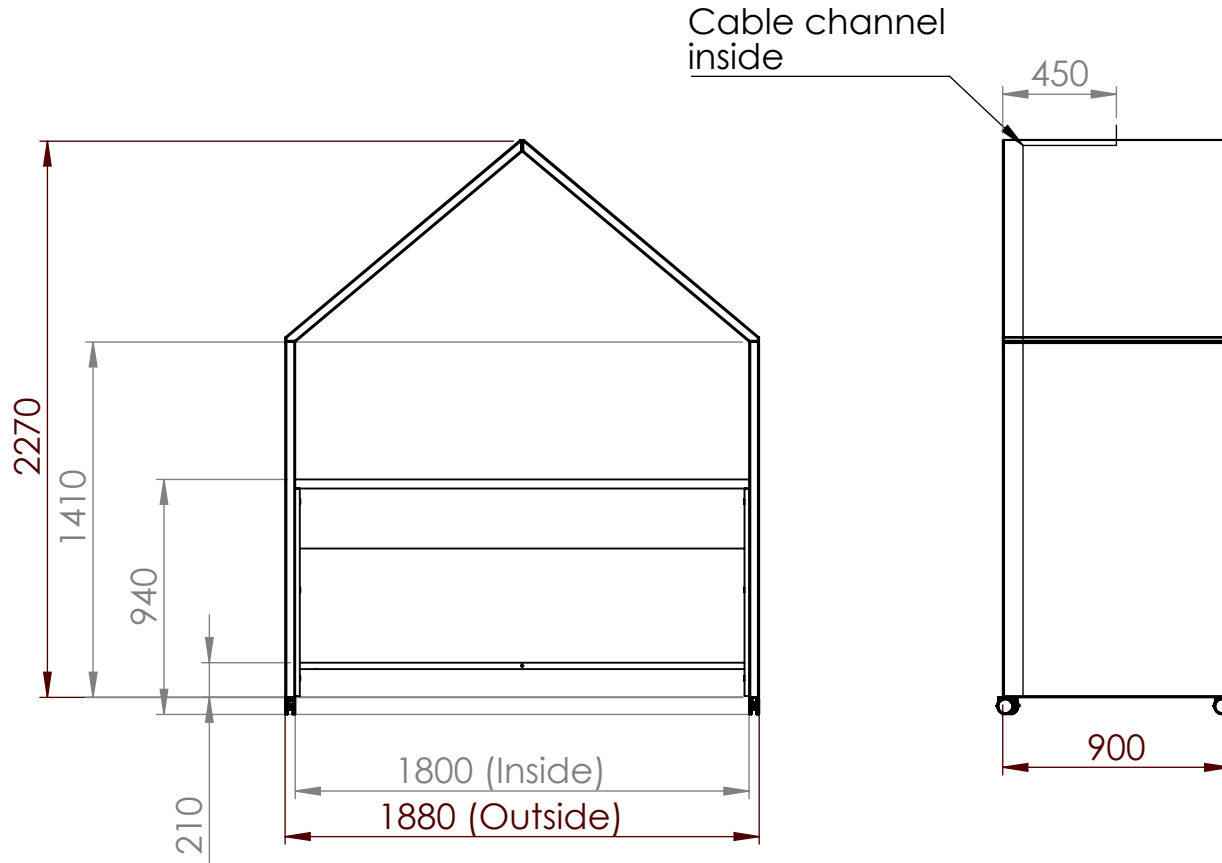


These measurements refer to the frame work and do not include upholstery, seam or zip

Tolerances (mm)			
Dimension			Deviation
(1)	-	20	±0,2
(20)	-	50	±0,5
(50)	-	200	±1,0
(200)	-		±2,0



Including wheels (x4)



Art.nr. 111040		Name Half a Hut GEM w wheels		
Last saved by Nina	Last saved 2022-07-05	Material	Rev -	Format A4
Created by Nina	Created date 2022-07-05		Scale 1:30	Page 1/1