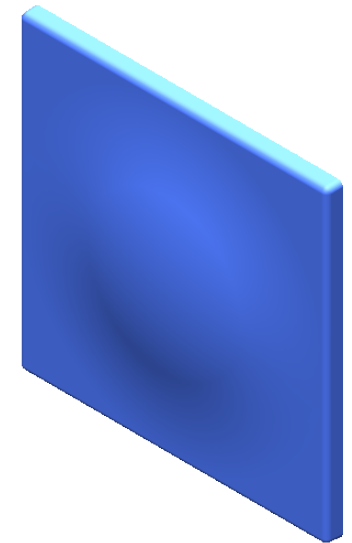
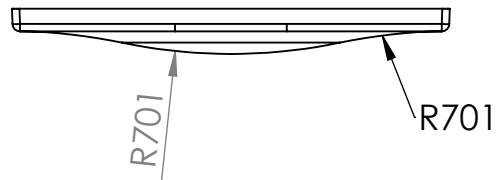
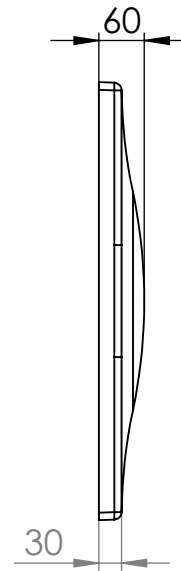
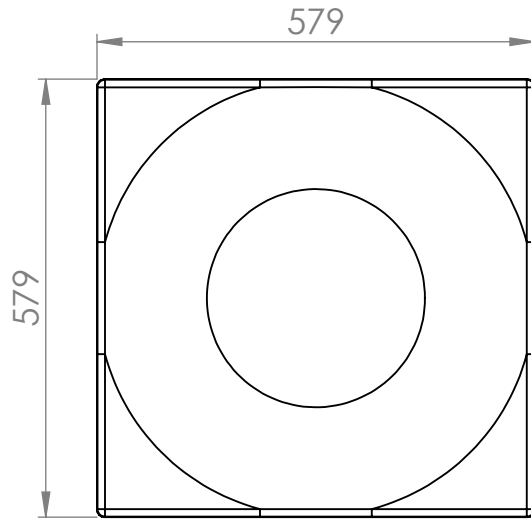


REVISIONS

REV.	DESCRIPTION	DATE	BY
------	-------------	------	----



Art.nr. 121211		Name PlainPanel		
Last saved by Jonathan	Last saved 2021-10-21	Material Felt	Rev	Format A4
Created by Jonathan	Created date 2021-10-13		Scale 1:10	Page 1/1