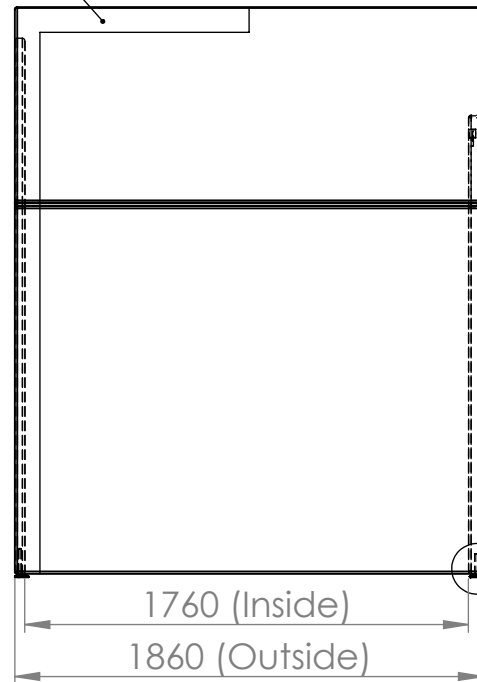
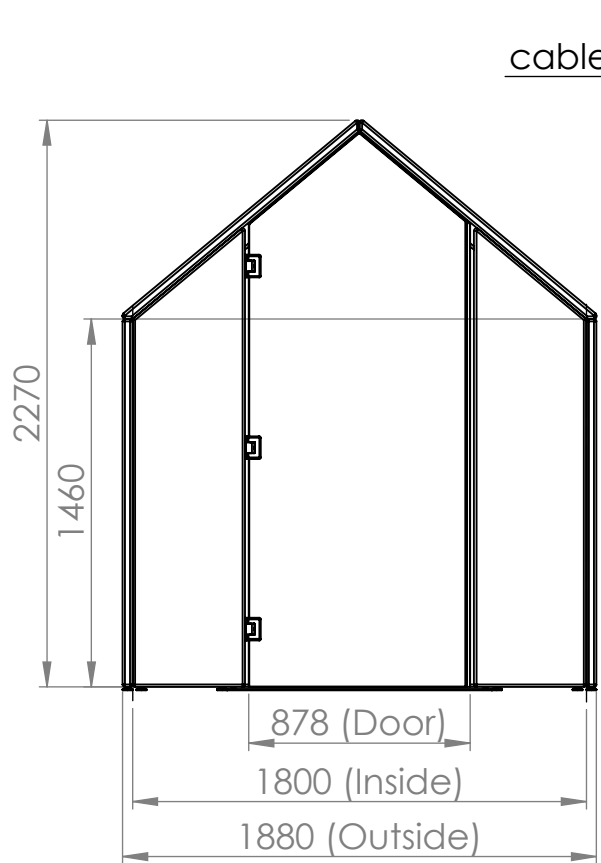
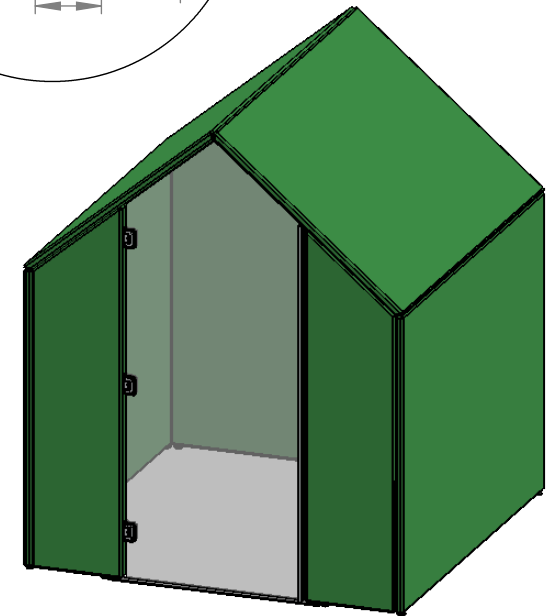
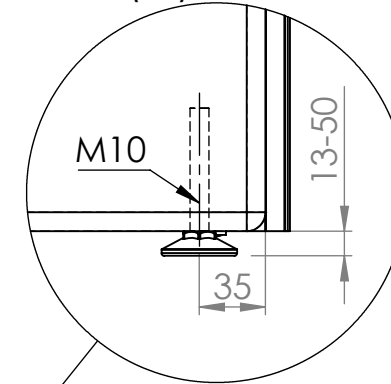


These measurements refer to the frame work and do not include upholstery, seam or zip

Tolerances (mm)			
Dimension			Deviation
(1)	-	20	±0,2
(20)	-	50	±0,5
(50)	-	200	±1,0
(200)	-		±2,0



DETAIL B
SCALE 1 : 4
(x8)



GÖTESSONS

Material	x	Art.nr.	110500 & 110600	Blad	1/1	A4	
Skala	1:30	Sign.	Jonte	Benämning	The hut with front screens and door		
		Datum	2018-01-23			Rev	-