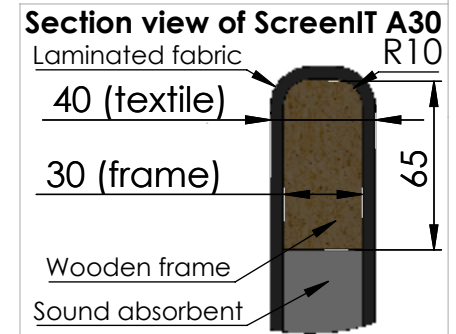
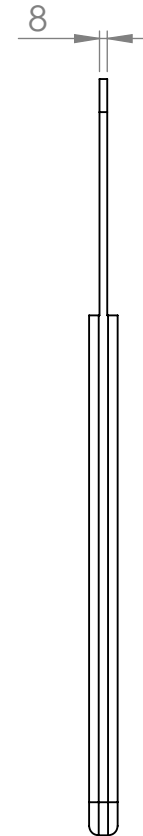
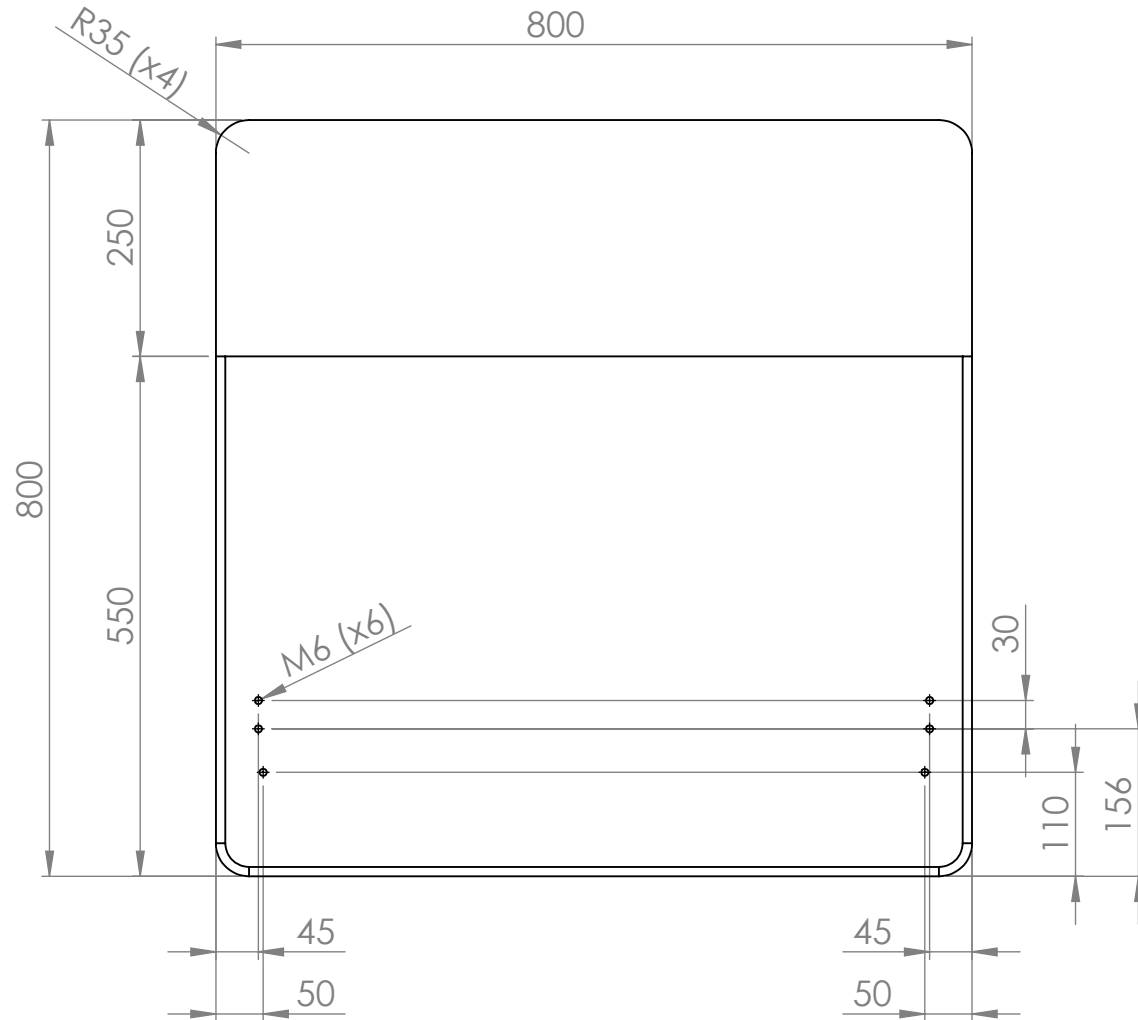


These measurements refer to the frame work
and do not include upholstery, seam or zip

Tolerances (mm)			
Dimension			Deviation
(1)	-	20	±0,2
(20)	-	50	±0,5
(50)	-	200	±1,0
(200)	-		±2,0



Art.no:
654080: Transparent plexi
657080: Frosted plexi
658080: Smoked plexi



Material	x	Art.nr.	See list	Blad	1/1	A4
Skala	1:8	Sign.	Tolle	Benämning	ScreenIT A30 800x800 incl plexi	
		Datum	2017-12-18			Rev
						-