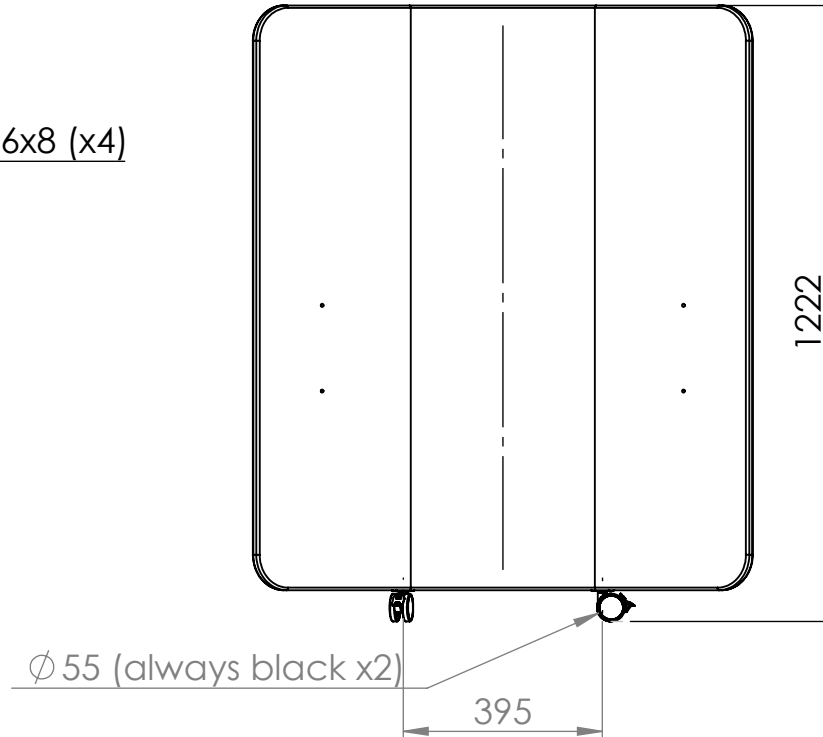
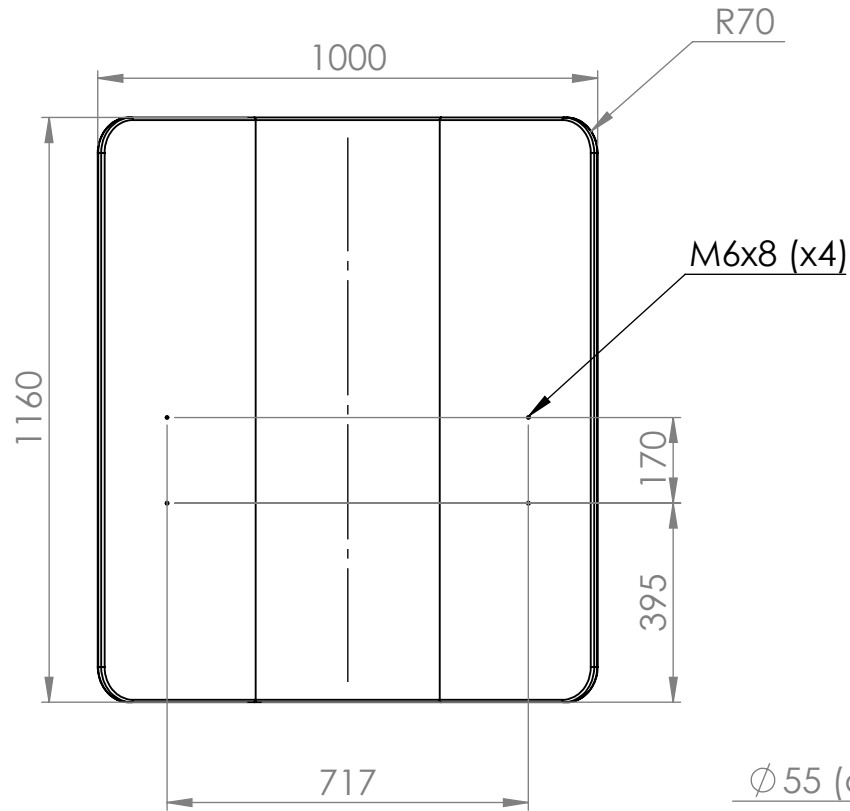
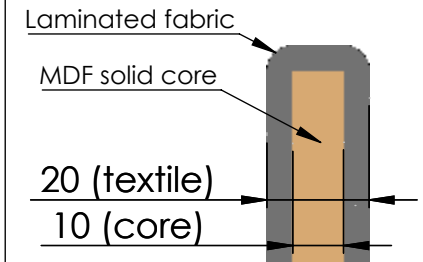


These measurements refer to the frame work and do not include upholstery, seam or zip

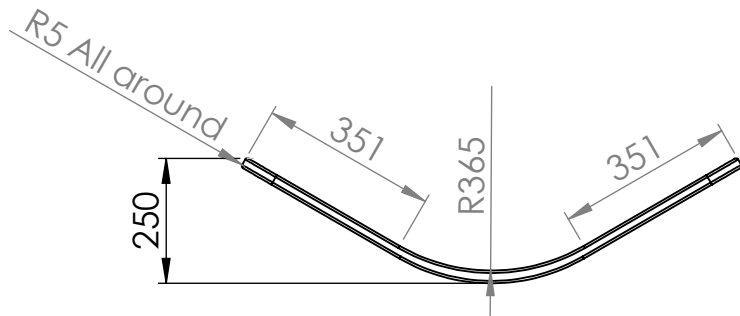
Tolerances (mm)			
Dimension			Deviation
(1)	-	20	±0,2
(20)	-	50	±0,5
(50)	-	200	±1,0
(200)	-		±2,0



Section view of ScreenIT standard



Including wheels (Ø55) with break (x2)



Art.nr. 647350		Name Screen for RomboWork 1000x1160 mm		
Last saved by Tolle	Last saved 2023-09-08	Material	Rev	Format A4
Created by Tolle	Created date 2023-03-22		Scale 1:15	Page 1/1