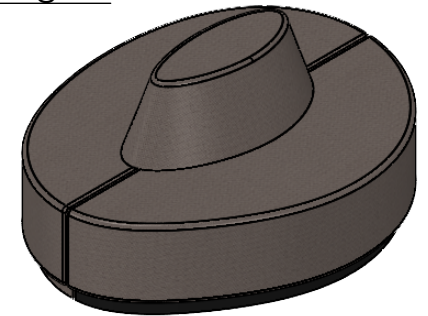
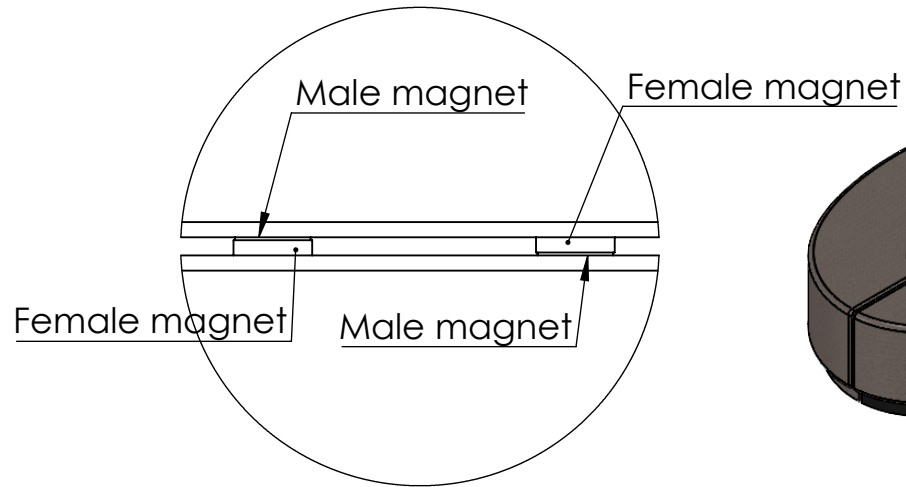
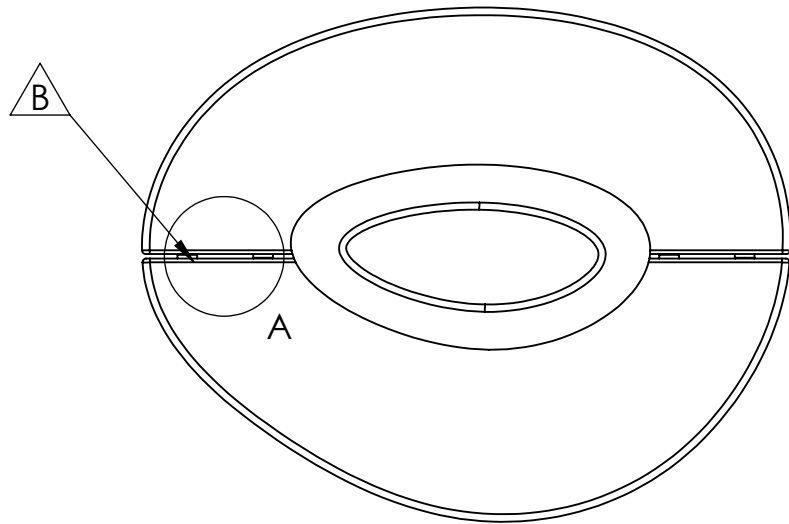
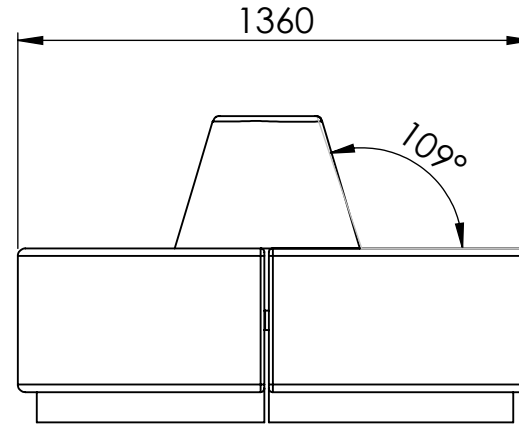
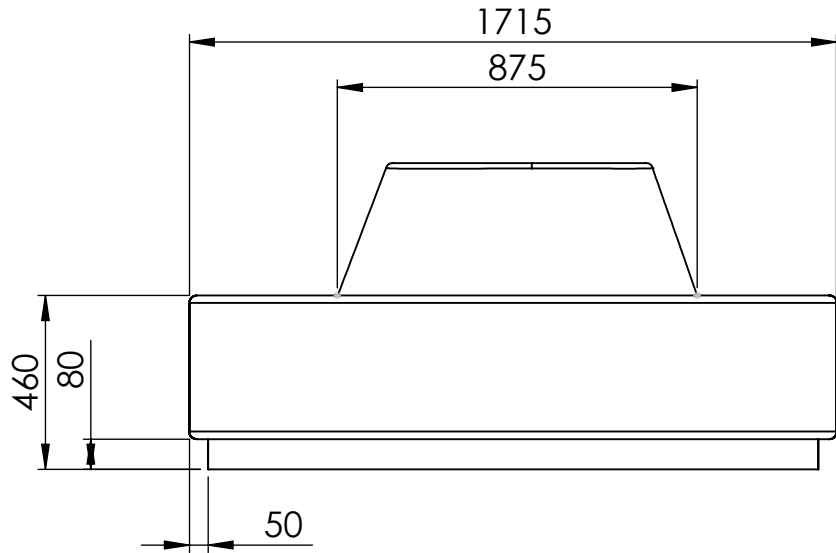


REVISIONS			
REV.	DESCRIPTION	DATE	BY
A	Created drawing	2024-08-21	Aarash
B	Magnet brackets	2024-09-24	Aarash



DETAIL A (x2)  
SCALE 1 : 5

**GÖTESSONS** © 2024

Art.nr. 647604		Name Sandy Solus	
View placement 	General tolerance SS-ISO 2768-1 m	THESE MEASUREMENTS REFER TO THE FRAMEWORK AND DO NOT INCLUDE UPHOLSTERY, SEAM OR ZIP	Material
THIS DRAWING AND INFORMATION CONTAINED HEREIN ARE THE PROPERTY OF GÖTESSONS DESIGN GROUP AB AND SHALL BE RETURNED UPON DEMAND AND SHALL NOT BE REPRODUCED IN WHOLE OR IN PART TO ANYONE ELSE OR USED WITHOUT WRITTEN CONSENT OF GÖTESSONS DESIGN GROUP AB		Rev B	Format A4
		Scale 1:20	Page 1/1