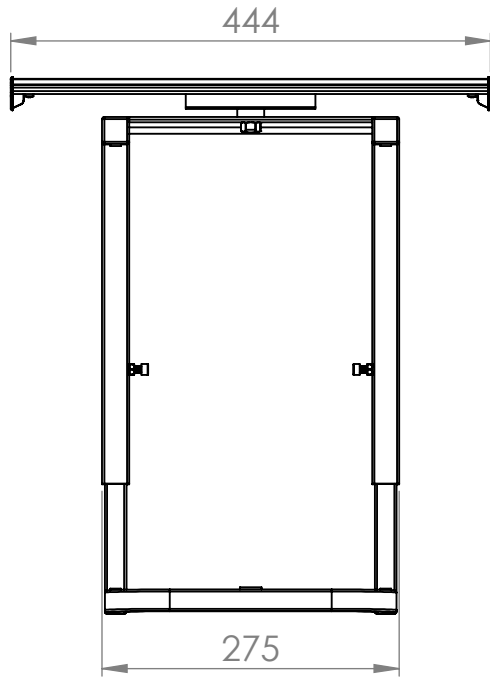
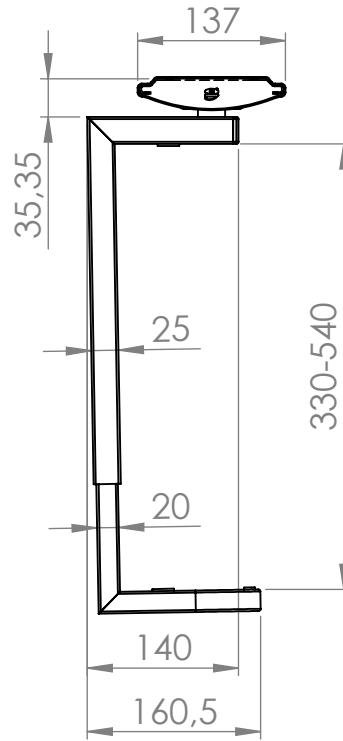


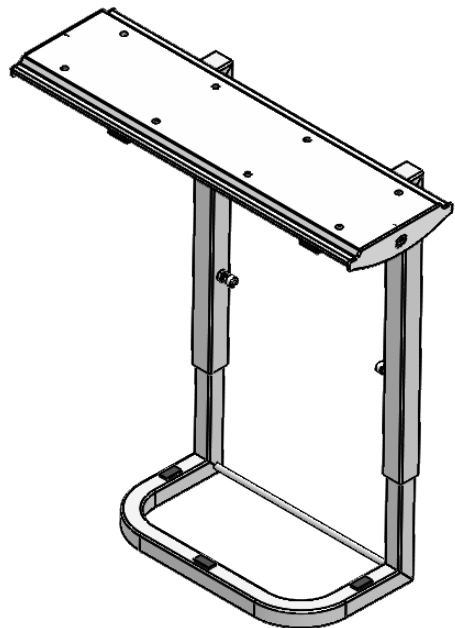
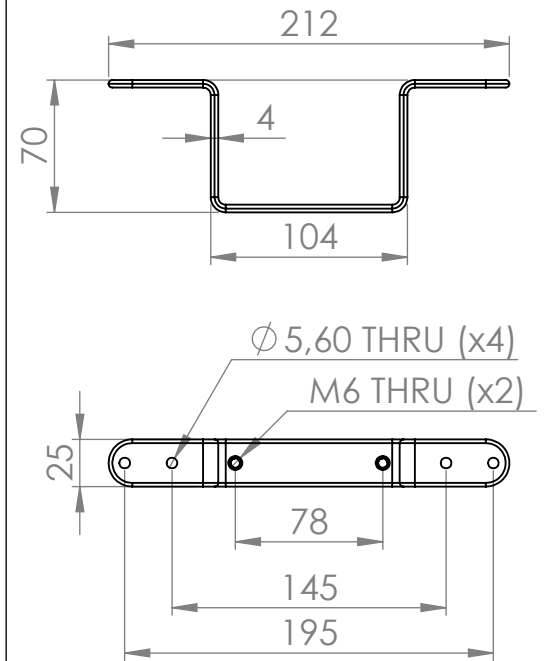
Front view



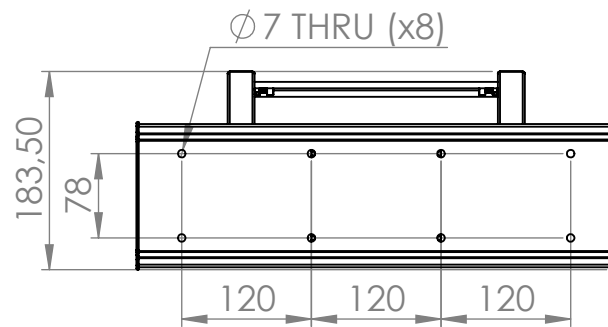
Side view



Including distances (x2)



Top view



Art.nr. 877010		Name Stand CPU holder including runner and distances		
Last saved by Jonathan	Last saved 2019-03-14	Material x	Rev -	Format A4
Created by Jonathan	Created date 2019-03-13		Scale 1:7	Page 1/1