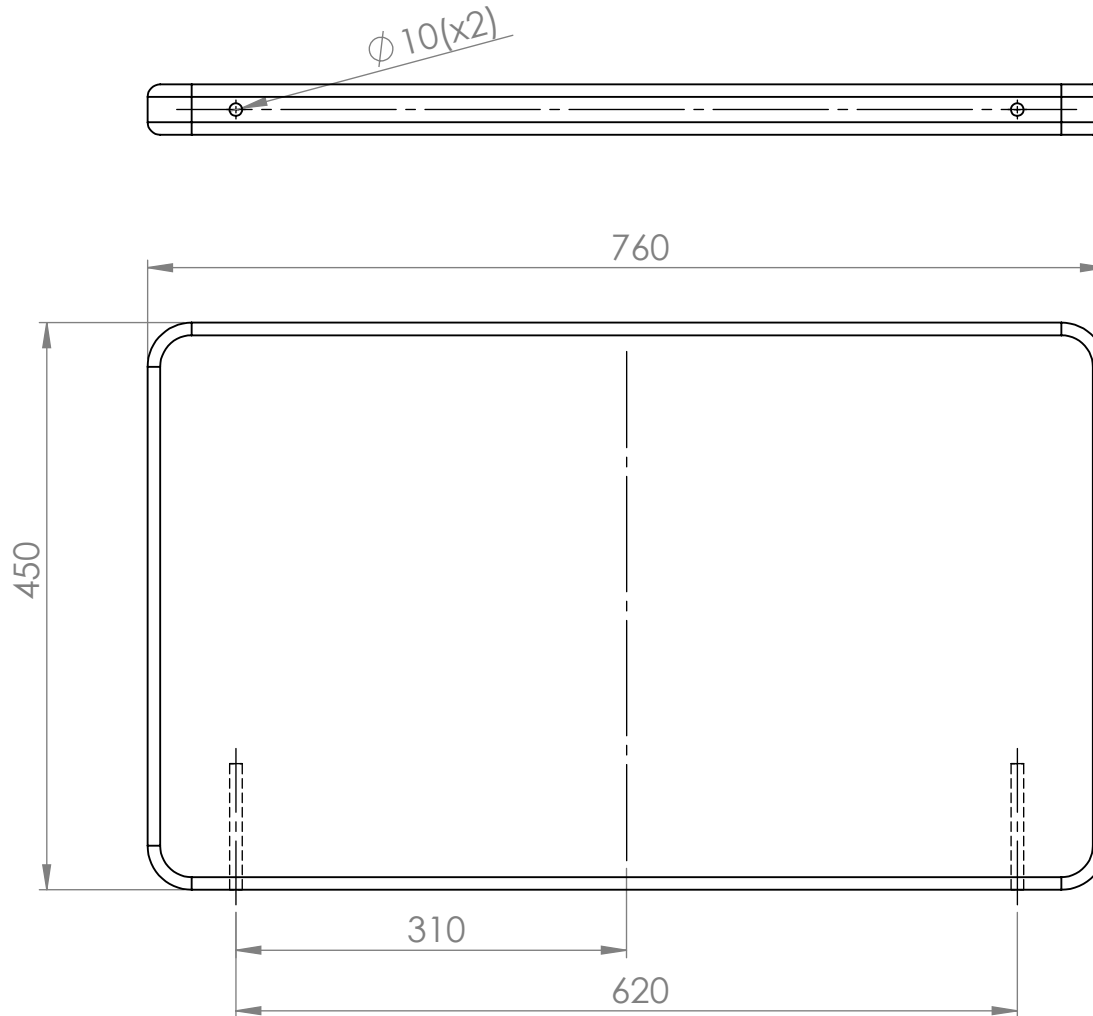
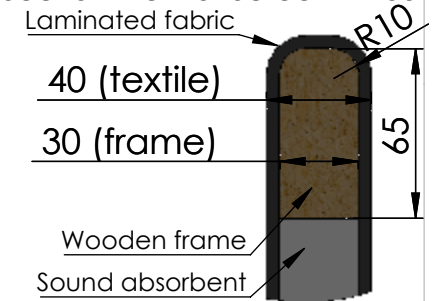


These measurements refer to the frame work
and do not include upholstery, seam or zip

Tolerances (mm)			
Dimension			Deviation
(1)	-	20	±0,2
(20)	-	50	±0,5
(50)	-	200	±1,0
(200)	-		±2,0



Section view of ScreenIT A30



Material	X	Art.nr.	857076	Blad	1/1	A4
Skala	1:10	Sign.	Jonte	Benämning	ScreenIT A30 above desk 760x450	
		Datum	2017-04-19			Rev
						-