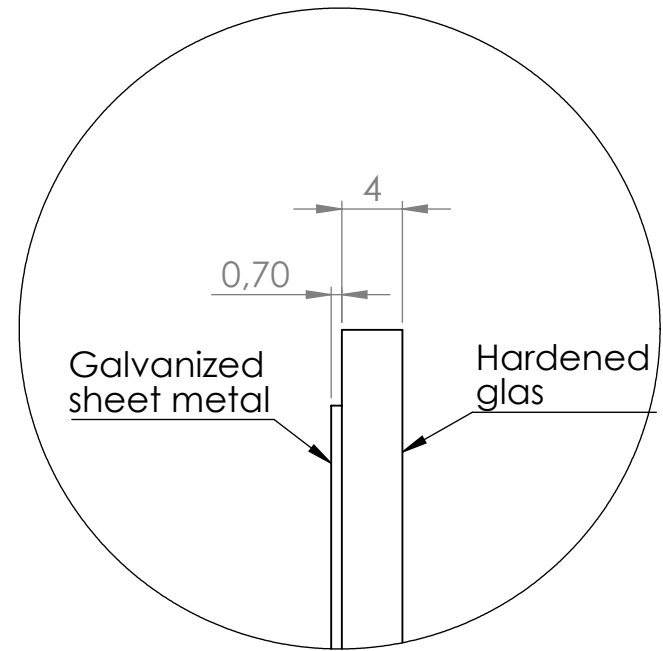
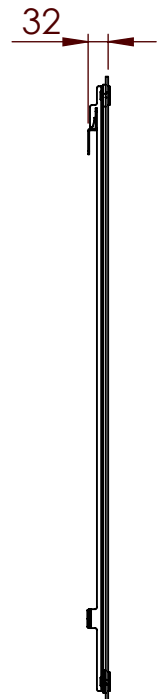

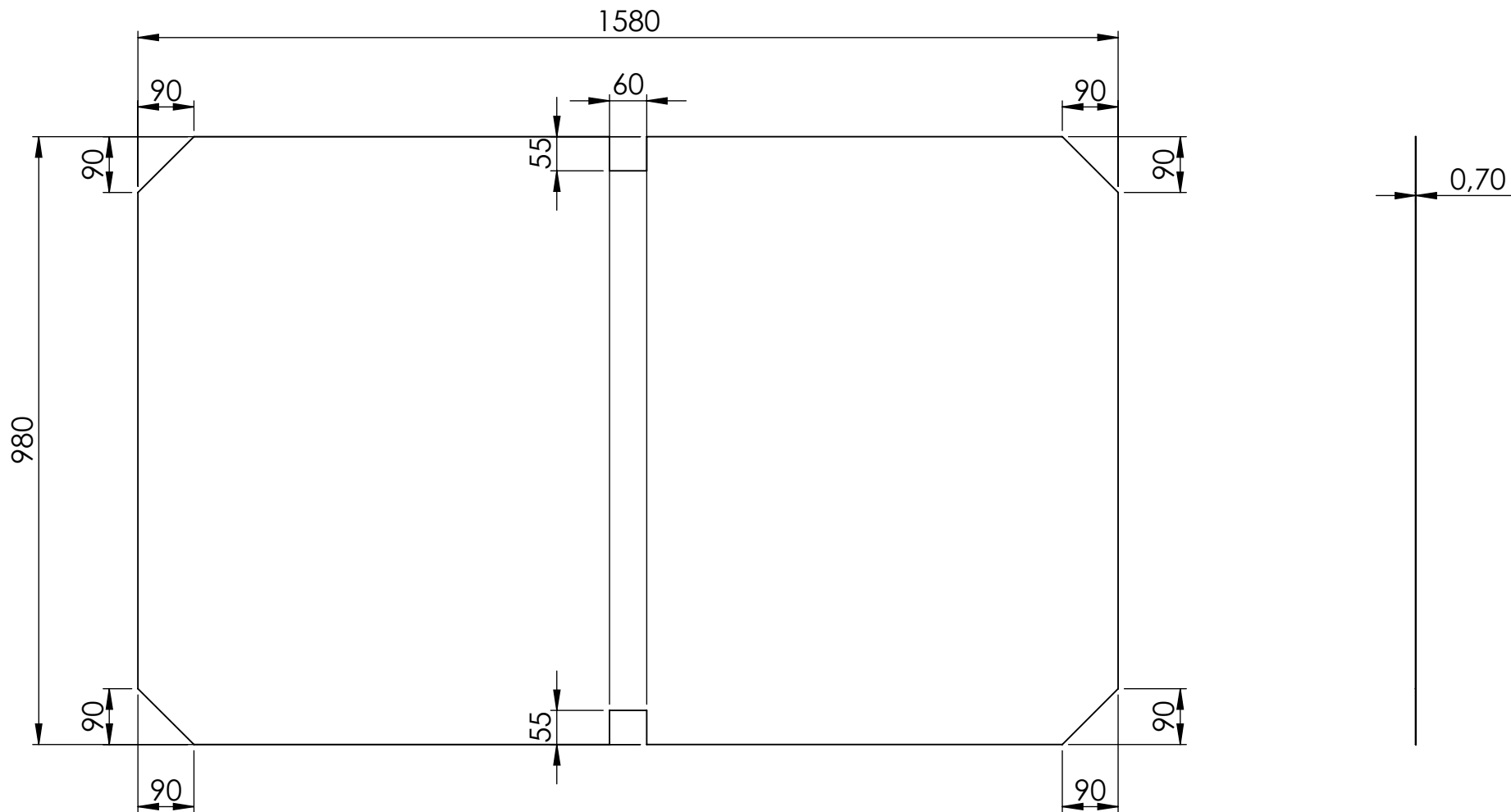



DETAIL A: Glass
SCALE 2 : 1



 GÖTESSONS				
Art.nr. 101021		Name Sketch writing board wall 1590x990		
Last saved by Tolle	Last saved 2020-11-24	Material x	Rev -	Format A4
Created by Tolle	Created date 2018-11-23		Scale 1:12	Page 1/2



 GÖTESSONS				
Art.nr.	101021	Name	Sketch writing board wall 1590x990	
Last saved by	Tolle	Last saved	2020-11-24	Material
Created by	Tolle	Created date	2018-11-23	Galvanized sheet metal
		Rev	-	Format
		Scale	1:10	A4
				Page
				2/2