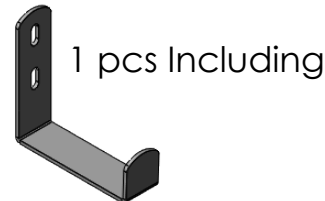
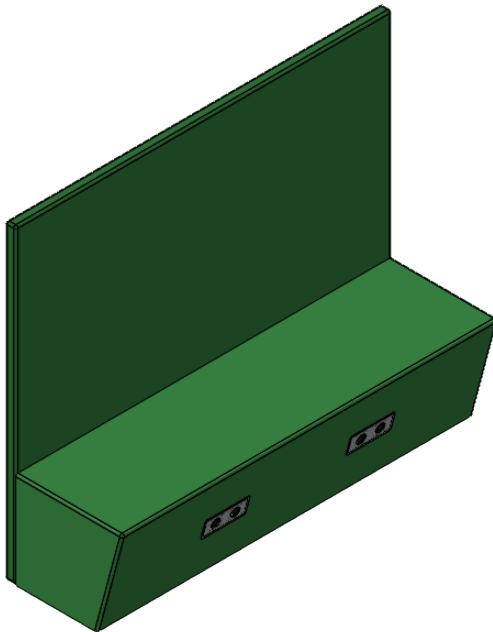
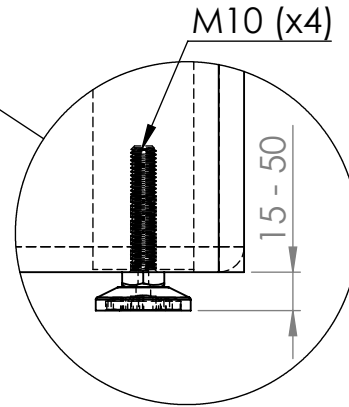
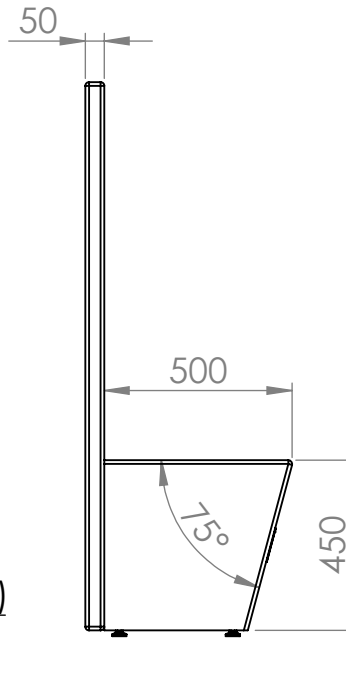
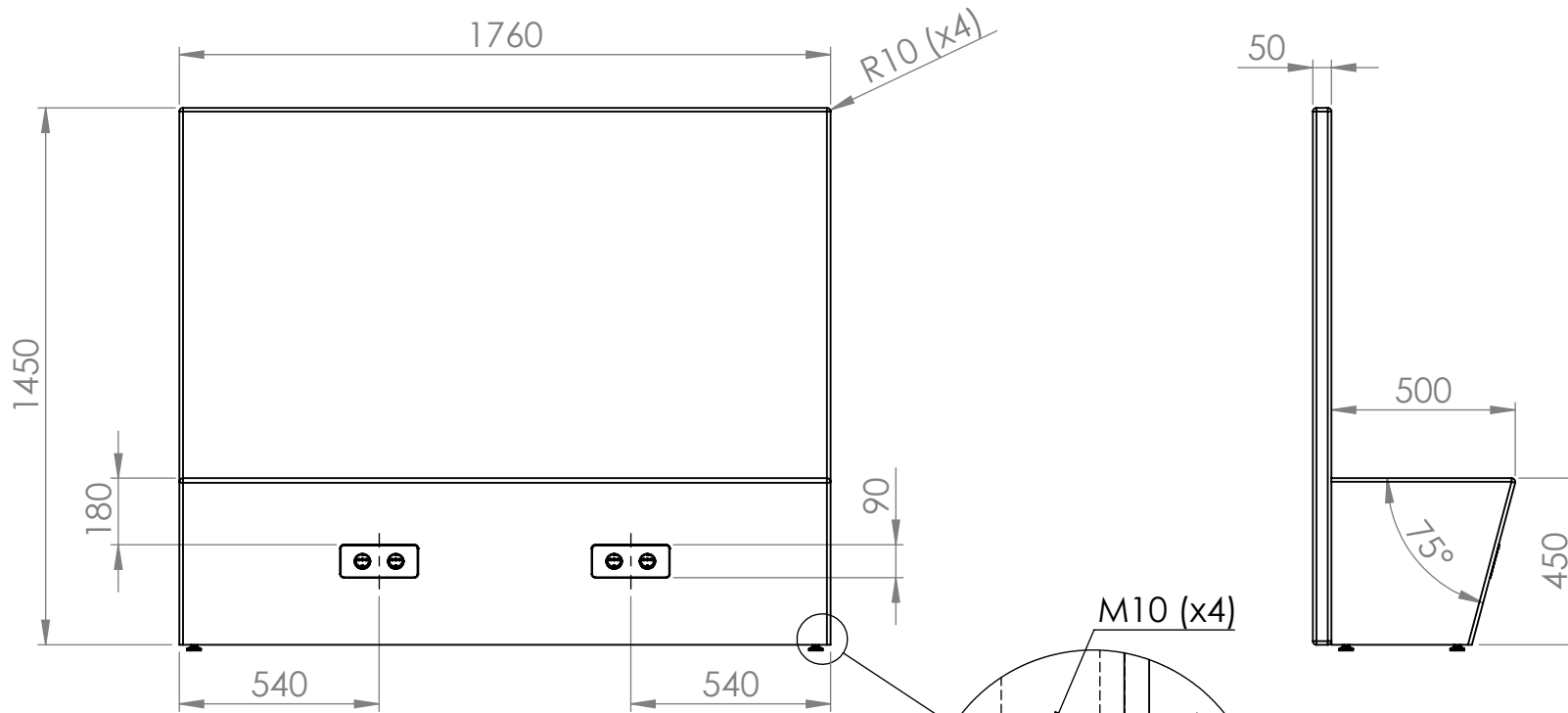
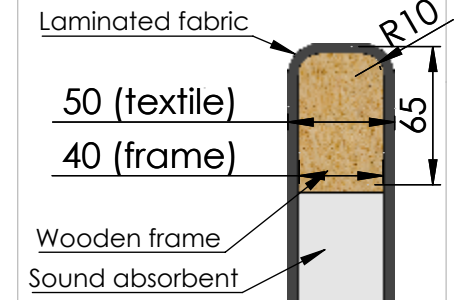


Tolerances (mm)			
Dimension			Deviation
(1)	-	20	±0,2
(20)	-	50	±0,5
(50)	-	200	±1,0
(200)	-		±2,0



Section view of ScreenIT A40



Art.nr. 647111, 647113, 647118		Name The Hut Sofa incl Table Top		
Last saved by Tolle	Last saved 2018-11-06	Material x	Rev -	Format A4
Created by Tolle	Created date 2018-11-06		Scale 1:20	Page 1/1