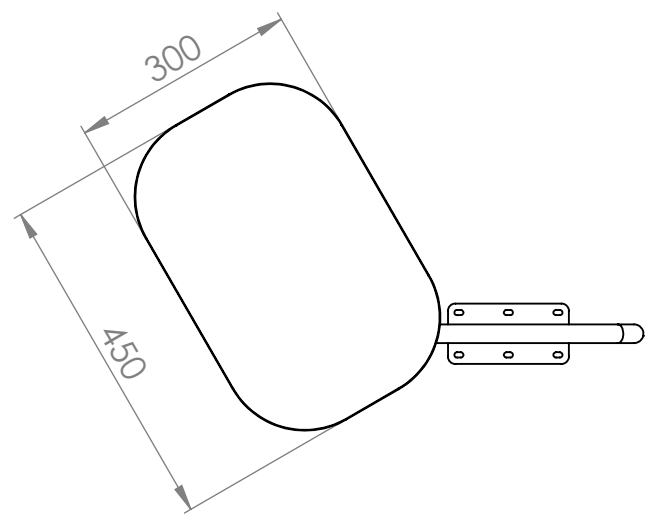
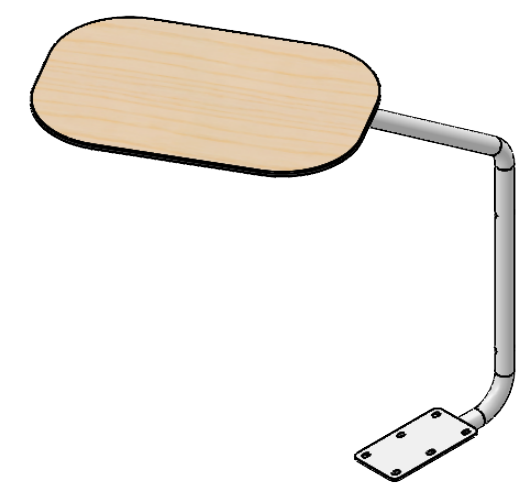
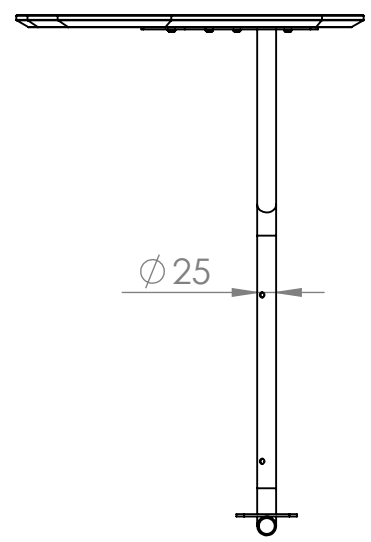
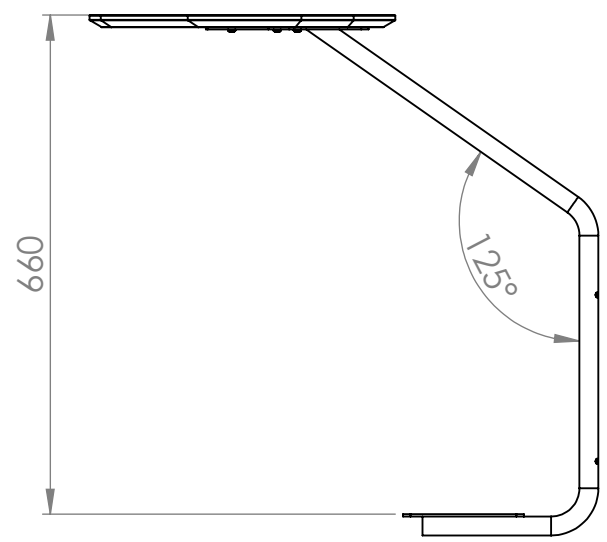



REVISIONS			
REV.	DESCRIPTION	DATE	BY



Art.nr.
 647170
 647171
 647172
 647173
 647174

 GÖTESSONS				
Art.nr.	Name			
See list	RomboTable			
Last saved by	Last saved	Material	Rev	Format
Jonathan	2021-11-03			A4
Created by	Created date		Scale	Page
Jonathan	2021-10-27		1:10	1/1