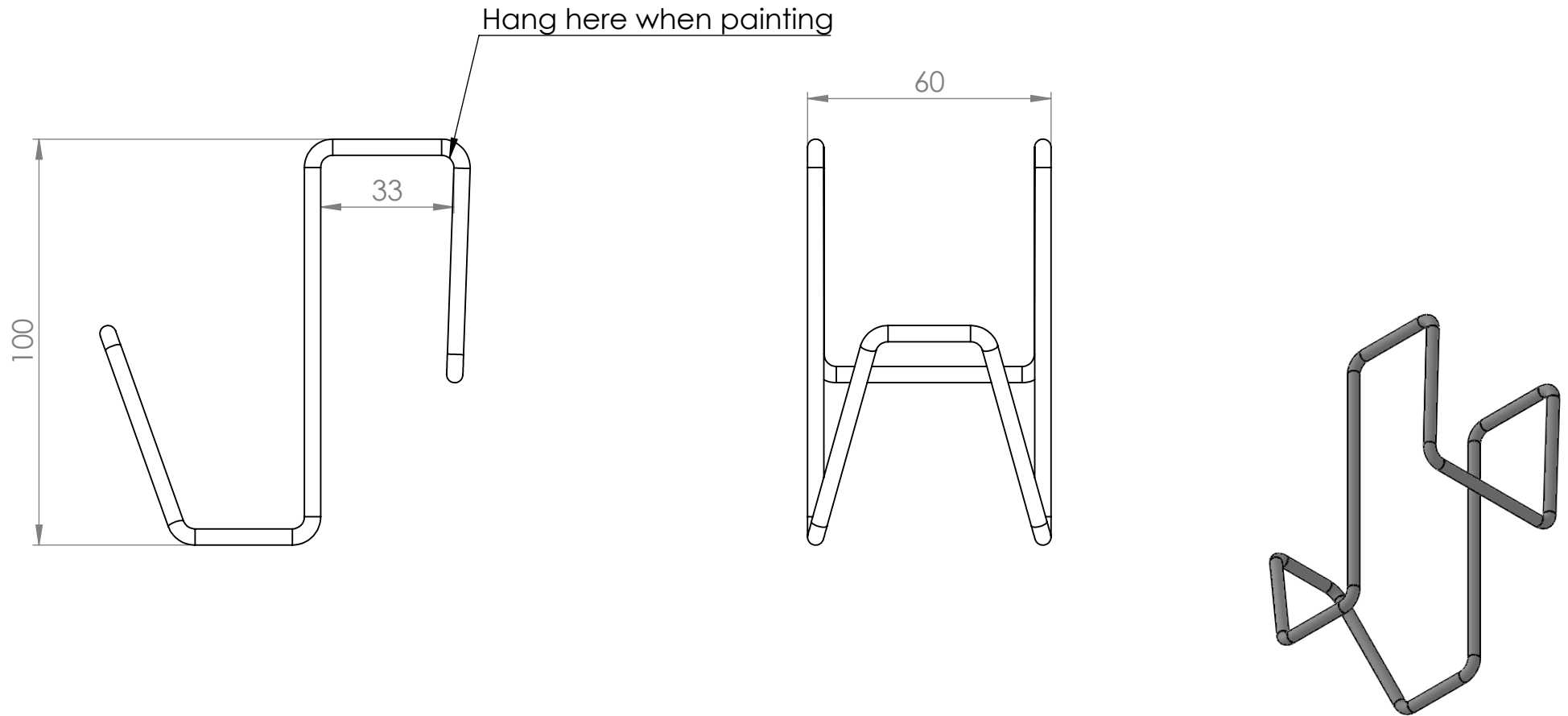



REVISIONS			
REV.	DESCRIPTION	DATE	BY



 GÖTESSONS				
Art.nr. 671092	Name Hook for Health & Care			
Last saved by Nina	Last saved 2020-11-17	Material	Rev	Format A4
Created by Nina	Created date 2020-04-06		Scale 1:1.5	Page 1/1