



ZAP

A stable, diverse and very affordable mechanical spring arm with ideal ergonomic features for office use. Weight span adjusted by a mechanical spring. Black cable holder with fishbone zip included. Three mounting options are included. ZAP can also be mounted on Toolbar. See page 43.



Tip!
Also suited for through desk mount (standard 80 mm).

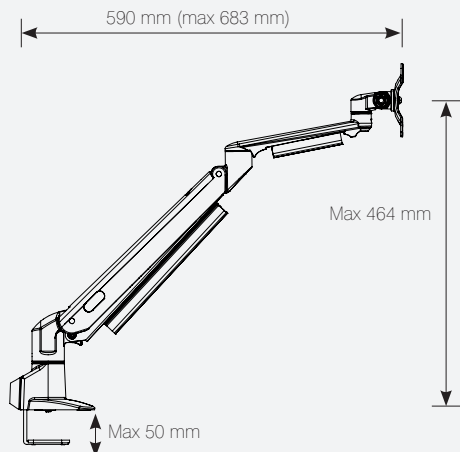
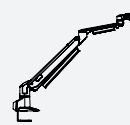
PRODUCT INFORMATION

Art.No	Size/Description <i>(all dimensions in mm)</i>	Colour
--------	---	--------

ZAP Monitor arm

Monitor arm that is weight span adjusted by a mechanical spring. Adjustable in all positions. Rotates 360°. Tilttable 185°. VESA 75 and 100.

615525	Weight span 1,5-7 kg	silver
615525-1	Weight span 1,5-7 kg	white
615525-2	Weight span 1,5-7 kg	black



Mounting options included

Desk clamp, through desk, grommet hole 80 mm (not Twin). For mount on toolbar, see page 43.

Reach

Extension from 90 to 683 mm, vertical range 464 mm. Rotation 360 degrees. Tilt 180 degrees.

VESA Monitor mount

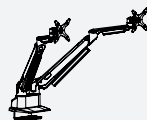
VESA 75x100 is included.

Product weight

Gross weight 4,2 kg, net weight 3,5 kg.

ZAP Monitor arm Twin

Monitor arm that is weight span adjusted by a mechanical spring. Adjustable in all positions. Rotates 360°. Tilttable 185°. VESA 75 and 100. Includes 2 arms and 1 pc of twin clamp. Please note, Twin arm is not suitable for a grommet hole 80 mm.



618525	Weight span 1,5-7 kg/arm	silver
618525-1	Weight span 1,5-7 kg/arm	white
618525-2	Weight span 1,5-7 kg/arm	black